

Area Light Series

Large Adjusta Area/Wall Light with IES Type V Reflector



AD405
(Shown Mounted on Pole)

Housing:

Die Cast Housing, Front Frame & Ballast Box with Bronze Powdercoat Finish Over a Chromate Conversion Coating. Housing Swivels From 0° to 30°, & Includes Angle Indicators at Adjustment Points. Hinged Front Frame and Latch for Tool-Less Entry for Relamping.

Reflector:

Aluminum IES Type V Reflector

Lens:

Tempered Glass Lens

Socket:

Porcelain 5KV Pulse Rated Mogul Base Socket with Nickel Plated Screw Shell

Mounting:

Easy-Hang Wall Bracket (Included); Allows One-Person Mounting! Pole Mount Using Extruded Mounting Arms or Slipfitter.

Wattage:

High Pressure Sodium: 100 to 400w

Metal Halide: 100w

Pulse Start: 150 to 400w

Listing & Ratings:

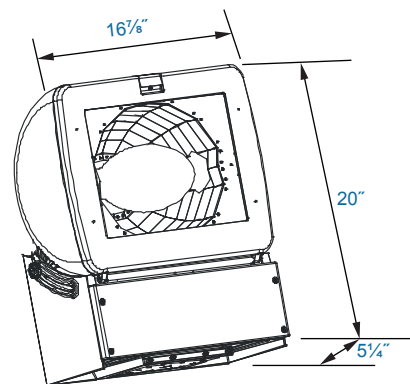
CSA: Listed for Wet Locations

Other Wattages & Custom Colors Available Upon Request.

Kit(s)				
Catalog #	Description			
AD405	Large Adjusta Area/Wall Light with IES Type V Reflector, HID Kit			
Complete Units (Lamp Included)				
Catalog #	Wattage	Voltage	Lamp	Ballast
AD405H100QMGL	100	Quad	HPS	HX-HPF
AD405H150QMGL	150	Quad	HPS	HX-HPF
AD405H250QL	250	Quad	HPS	CWA
AD405H400QL	400	Quad	HPS	CWA
AD405M100QMGL	100	Quad	MH	HX-HPF
AD405P150QMGL	150	Quad	PS	HX-HPF
AD405P250QL (E)	250	Quad	PS	CWA
AD405P320QL (E)	320	Quad	PS	CWA
AD405P350QL (E)	350	Quad	PS	CWA
AD405P400QL (E)	400	Quad	PS	CWA

KELSEY-KANE LIGHTING MFG. CO.
Voice & Text: 954-772-3187
E-Mail: info@kelsey-kane.com
Website: www.kelsey-kane.com

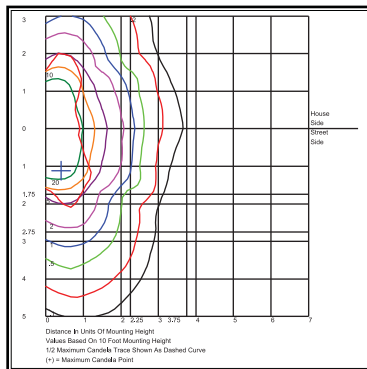
DIMENSIONS



AD405

Catalog #	Description
FL73SFX	External Mount Slipfitter, Die Cast with Hardware & Angle Indicator
FLEM6*	6" Aluminum Extruded Mounting Arm, Bronze, Gasket & Hardware. Fits Square Poles.
FLEM10*	10" Aluminum Extruded Mounting Arm, Bronze, Gasket & Hardware. Fits Square Poles.
FLEM12*	12" Aluminum Extruded Mounting Arm, Bronze, Gasket & Hardware. Fits Square Poles.
PTASUNV	Square Pole Tenon Adaptor Allows Installation of up to 4 Fixtures, Fits 2 3/8" Diameter Vertical Tenon, Bronze Finish. Use FLEMs.
FLEMWM	Heavy-duty Steel Wall Bracket for FLEM Mounting Arms, Bronze Powdercoat Finish.

*Add R for Round Pole Mounting, Fits 4" Diameter Poles.



AD405M400

Area Light Series

Large Adjustable Area/Wall Light with IES Type V Reflector



FL73SFX



FLEM6



FLEM10



FLEM12



PTASUNV



FLEMWM

KELSEY-KANE LIGHTING MFG. CO.
 Voice & Text: 954-772-3187
 E-Mail: info@kelsey-kane.com
 Website: www.kelsey-kane.com