

## Area Light Series

### Large Adjusta Area/Wall Light with Wide Angle Reflector



**AD40W**

#### Housing:

Die Cast Housing, Front Frame & Ballast Box with Bronze Powdercoat Finish Over a Chromate Conversion Coating. Housing Swivels From 0° to 30°, & Includes Angle Indicators at Adjustment Points. Hinged Front Frame and Latch for Tool-Less Entry for Relamping.

#### Reflector:

Wide Angle Aluminum Reflector

#### Lens:

Tempered Glass Lens

#### Socket:

Porcelain 5KV Pulse Rated Mogul Base Socket with Nickel Plated Screw Shell

#### Mounting:

Easy-Hang Wall Bracket (Included); Allows One-Person Mounting! Pole Mount Using Extruded Mounting Arms or Slipfitter.

#### Wattage:

High Pressure Sodium: 100 to 150w

Metal Halide: 100w

Pulse Start: 150 to 400w

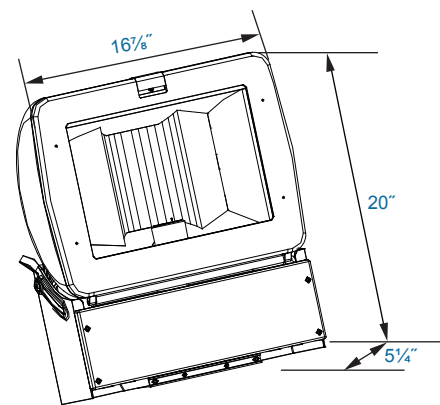
#### Listing & Ratings:

CSA: Listed for Wet Locations

Other Wattages & Custom Colors Available Upon Request.

Kit(s)				
Catalog #	Description			
AD40W	Large Adjusta Area/Wall Light with Wide Angle Reflector, HID Kit			
Complete Units (Lamp Included)				
Catalog #	Wattage	Voltage	Lamp	Ballast
AD40WH100QMGL	100	Quad	HPS	HX-HPF
AD40WH150QMGL	150	Quad	HPS	HX-HPF
AD40WM100QMGL	100	Quad	MH	HX-HPF
AD40WP150QMGL	150	Quad	PS	HX-HPF
AD40WP250QL ⓔ	250	Quad	PS	CWA
AD40WP320QL ⓔ	320	Quad	PS	CWA
AD40WP350QL ⓔ	350	Quad	PS	CWA
AD40WP400QL ⓔ	400	Quad	PS	CWA

**DIMENSIONS**



**AD40W**

**KELSEY-KANE LIGHTING MFG. CO.**

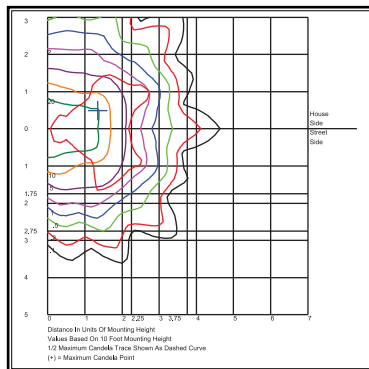
Voice & Text: 954-772-3187

E-Mail: [info@kelsey-kane.com](mailto:info@kelsey-kane.com)

Website: [www.kelsey-kane.com](http://www.kelsey-kane.com)

Catalog #	Description
FL73SFX	External Mount Slipfitter, Die Cast with Hardware & Angle Indicator
FLEM6*	6" Aluminum Extruded Mounting Arm, Bronze, Gasket & Hardware. Fits Square Poles.
FLEM10*	10" Aluminum Extruded Mounting Arm, Bronze, Gasket & Hardware. Fits Square Poles.
FLEM12*	12" Aluminum Extruded Mounting Arm, Bronze, Gasket & Hardware. Fits Square Poles.
PTASUNV	Square Pole Tenon Adaptor Allows Installation of up to 4 Fixtures, Fits 2 3/8" Diameter Vertical Tenon, Bronze Finish. Use FLEMs.
FLEMWM	Heavy-duty Steel Wall Bracket for FLEM Mounting Arms, Bronze Powdercoat Finish.

\*Add R for Round Pole Mounting, Fits 4" Diameter Poles.



**AD40WM400**

**Area Light Series**

**Large Adjusta Area/Wall Light with Wide Angle Reflector**



**FL73SFX**



**FLEM6**



**FLEM10**



**FLEM12**



**PTASUNV**



**FLEMWM**

**KELSEY-KANE LIGHTING MFG. CO.**  
 Voice & Text: 954-772-3187  
 E-Mail: [info@kelsey-kane.com](mailto:info@kelsey-kane.com)  
 Website: [www.kelsey-kane.com](http://www.kelsey-kane.com)