

## Induction Light Series

### Large Adjustable Area/Wall Light with Wide Angle Reflector



AD40WI

#### Housing:

Die Cast Housing, Front Frames & Ballast Box with Bronze Powdercoat Finish Over a Chromate Conversion Coating. Housing Swivels from 0° to 30°, & Includes Angle Indicators at Adjustment Points. Hinged Front Frame and Latch for Tool-Less Entry for Relamping.

#### Reflector:

Wide Angle Aluminum Reflector

#### Lens:

Tempered Glass Lens

#### Mounting:

Easy-Hang Wall Bracket (Included); Allows One-Person Mounting! Pole Mount Using Extruded Mounting Arms or Slipfitter.

#### Wattage:

Induction: 40, 60 or 80w, 5000K

#### Listing & Ratings:

CSA: Listed for Wet Locations

#### Options:

2.5KV Surge Protection

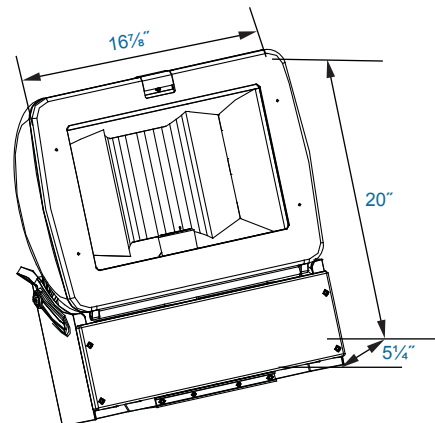
Custom Colors Available Upon Request.

#### Complete Units (Includes Lamp & Ballast)

Catalog #	Wattage	Voltage	Lamp	Ballast
AD40WI40U5K-	40	120-277	Induction	Electronic
AD40WI60U5K-	60	120-277	Induction	Electronic
AD40WI80U5K-	80	120-277	Induction	Electronic

- Add SP for Surge Protection

**DIMENSIONS**



AD40WI

**KELSEY-KANE LIGHTING MFG. CO.**

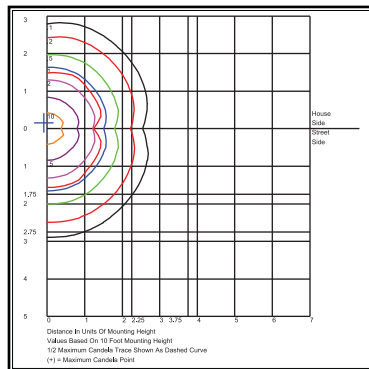
Voice & Text: 954-772-3187

E-Mail: [info@kelsey-kane.com](mailto:info@kelsey-kane.com)

Website: [www.kelsey-kane.com](http://www.kelsey-kane.com)

Catalog #	Description
FL73SFX	External Mount Slipfitter, Die Cast with Hardware & Angle Indicator
FLEM6*	6" Aluminum Extruded Mounting Arm, Bronze, Gasket & Hardware. Fits Square Poles.
FLEM10*	10" Aluminum Extruded Mounting Arm, Bronze, Gasket & Hardware. Fits Square Poles.
FLEM12*	12" Aluminum Extruded Mounting Arm, Bronze, Gasket & Hardware. Fits Square Poles.
PTASUNV	Square Pole Tenon Adaptor Allows Installation of up to 4 Fixtures, Fits 2 3/8" Diameter Vertical Tenon, Bronze Finish. Use FLEMs.
FLEMWM	Heavy-duty Steel Wall Bracket for FLEM Mounting Arms, Bronze Powdercoat Finish.

\*Add R for Round Pole Mounting, Fits 4" Diameter Poles.



**AD40W180**

**Induction Light Series**

**Large Adjustable Area/Wall Light with Wide Angle Reflector**



**FL73SFX**



**FLEM6**



**FLEM10**



**FLEM12**



**PTASUNV**



**FLEMWM**

**KELSEY-KANE LIGHTING MFG. CO.**  
 Voice & Text: 954-772-3187  
 E-Mail: [info@kelsey-kane.com](mailto:info@kelsey-kane.com)  
 Website: [www.kelsey-kane.com](http://www.kelsey-kane.com)