

EasyLED Series

EasyLED 23" Square Shoebox



AL90Q

Housing:

Die Cast Aluminum Housing & Hinged Front Frame, 1/2" Coin Plugs for Conduit & Photocell, Textured Architectural Bronze Powdercoat Finish Over a Chromate Conversion Coating

Lens:

Tempered Clear Flat Glass Lens or Tempered Clear Flat Prismatic Glass Lens

Mounting:

Mount with Extruded Mounting Arms or Direct Pole Mount Arm

LumaFit LED:

Array Lumens: 21,760 (F Optic)

Delivered Lumens:

17,098 (C, Clear); 16,172 (F, Clear)

CRI: 74

CCT: 5000K

Rated Life: 50,000 Hours

5-Year Warranty

Aluminum Boards

Wattage:

Array: 185.8w, System: 195w

Driver:

Electronic Driver, 120-277V, 50/60Hz or

347/480V, 50/60Hz;

Dimmable Driver

Listing & Ratings:

CSA: Listed for Wet Locations. IP65

Operating Temperatures: -40°C to +40°C

Options:

Surge Protection

Custom Colors Available Upon Request.

KELSEY-KANE LIGHTING MFG. CO.

Voice & Text: 954-772-3187

E-Mail: info@kelsey-kane.com

Website: www.kelsey-kane.com

EasyLED 23" Square Shoebox

Catalog #

Description

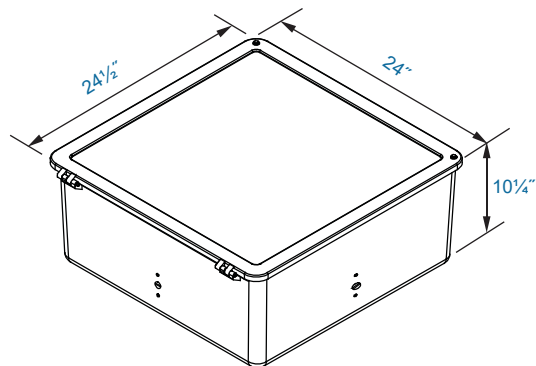
Complete Units

Ordering Information

Example: AL90QF1X186U5KCZEM10RSP

AL90	Model:	AL90
Q	LED Mfr:	Q=QSSI
F	Optics:	C=Type III, F=Type V
1X	Number of Arrays:	1X=One
186	Wattage:	186=186w
U	Ballast:	U=120-277V, H=347/480V
5K	CCT:	5K=5000K
C	Lens:	C=Tempered Clear Flat Glass Lens, P=Tempered Clear Flat Prismatic Glass Lens* *Use with F Optic Only.
Z	Color:	Z=Bronze
EM10R	Mounting:	BR=Two-Piece Swivel Bracket, SF=Slipfitter EM6*=6" Aluminum Extruded Mounting Arm, EM10*=10" Aluminum Extruded Mounting Arm, AM=Direct Pole Mounting Arm, Fits 4" to 6" Round Poles. *Add R for Round Pole Mounting, Fits 4" Diameter Poles.
SP	Options:	R7=7-Pin ANSI C136.41-2013 Twist Lock Receptacle, SF=Single Fuse, DF=Double Fuse, SP=Surge Protection P40=P18140 110-120VAC Instant, P42=P18142 110-277VAC Instant, P50=P18150 120VAC Time Delay, P52=P18152 277VAC Time Delay

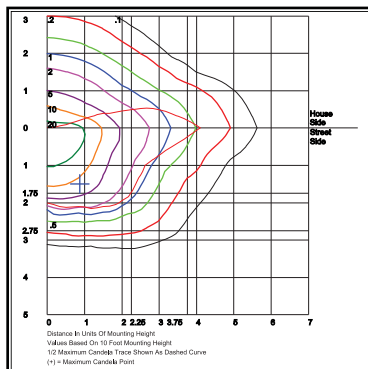
DIMENSIONS



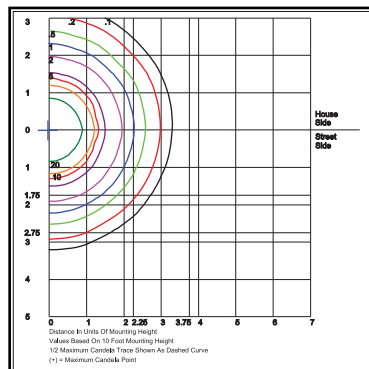
AL90Q

Catalog #	Description
FL90GS	Glare Shield, Aluminum, Bronze Powdercoat Finish (Can be reverse mounted as a back cutoff.)
FL90BR	Two-Piece Swivel Bracket, Stamped, Bronze Finish
FL90SFX	External Mount Slipfitter, Die Cast, Hardware & Angle Indicator Coin Plug
FLAM	Heavy Duty Adjustable Direct Mount Pole Arm, Bronze Finish, Angle Indicators & Hardware. Fits 4" to 6" Round Poles.
FLEM6*	6" Aluminum Extruded Mounting Arm, Bronze, Gasket & Hardware. Fits Square Poles.
FLEM10*	10" Aluminum Extruded Mounting Arm, Bronze, Gasket & Hardware. Fits Square Poles.
PTASUNV	Square Pole Tenon Adaptor Allows Installation of up to 4 Fixtures, Fits 2 3/8" Diameter Vertical Tenon, Bronze Finish. Use FLEMs.
FLEMWM	Heavy-duty Steel Wall Bracket for FLEM Mounting Arms, Bronze Powdercoat Finish.
P18130	480VAC Twist Lock Photocell Receptacle
P18130R7	7-Pin Twist Lock Photocell Receptacle ANSI C136.41-2013 with Integrated Controls for LED, 480 VAC
P18131	Twist Lock Non-Shorting (Open) Cap Disconnects Service to Fixture for Temporary or Permanent Disabling (Fixture Always Off). IP65, 480V Maximum.
P18132	Twist Lock Shorting Cap Provides Fixed Service to Fixture (Fixture Always on). IP65, Rated Load 7200w Tungsten.
P18140	110-120VAC Instant Twist Lock
P18142	110-277VAC Instant Twist Lock
P18150	120VAC Time Delay Twist Lock
P18152	277VAC Time Delay Twist Lock

*Add R for Round Pole Mounting, Fits 4" Diameter Poles.



AL90QC1X186U5KC



AL90QF1X186U5KC

EasyLED Series

EasyLED 23" Square Shoebox



FL90GS
(Shown Mounted)



FL90BR



FL90SFX



FLAM



FLEM6



FLEM10



PTASUNV



FLEMWM



P18130



P18130R7



P18131



P18132



**P18140,
P18142**



**P18150
P18152**

KELSEY-KANE LIGHTING MFG. CO.
Voice & Text: 954-772-3187
E-Mail: info@kelsey-kane.com
Website: www.kelsey-kane.com