



**AS30Q Astor Bell Pendant**  
**Decorative Pole Mounted Luminaire**



Shown with ASMA12  
Dual Pole Mount Arm

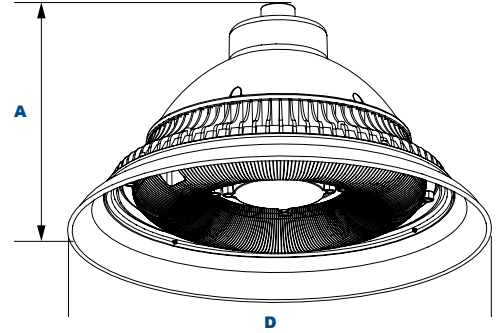


Shown with ASMA11  
Single Pole Mount Arm



Shown with ASWM11  
Wall Mount Arm

**L70**  
25°C **473,000 Hours**



**Dimensions**

<b>Diameter (D)</b>	19½" (495mm)
<b>Height (A)</b>	11" (279mm)

AS30Q Astor Bell Pendant is available in a Type V distribution with two lens options designed to replace HID lighting systems up to 250w MH or HPS. The fixture mounts to a pole single arm, pole double arm, or wall mount single arm. Typical area lighting applications include parking areas, walkways, and pedestrian public spaces. Mounting heights of 12 to 30 feet can be used based on light level and uniformity requirements.

**AS30Q Specifications and Features:**

**Housing:**

Die Cast Aluminum Housing, Integral Heat Sinking and Driver Compartment, Spun Aluminum Shade. Nickel-Plated Stainless Steel Hardware. Optional Twist-Lock Receptacle and Photocells are Installed on Arm Brackets (Factory Installed).

**Listing & Ratings:**

CSA: Listed for Wet Locations, ANSI/UL 1598, 8750  
IP66 Sealed LED Compartment

**Finish:**

Textured Architectural Black Powdercoat Finish Over a Chromate Conversion Coating. Custom Colors Available Upon Request.

**Lens:**

Clear Prismatic or LumaLens Opal Prismatic Array Lens to Seal LED Array

**Mounting Options:**

Single Wall Mount Arm and Bracket, or Single or Dual Pole Mount Arms. Pole Mount Arms Accommodate 3" Tenons.

**EasyLED LED:**

Aluminum Boards

**Wattage:**

84w: Array: 84w, System: 86.6w;  
(150-250w HID Equivalent.)

**Driver:**

Electronic Driver, 120-277V, 50/60Hz or 347-480V, 50/60Hz; Less Than 20% THD and PF>0.90. Standard Internal Surge Protection 6kV. 0-10V Dimming Standard for a Dimming Range of 100% to 10%; Dimming Source Current is 150 Microamps.

**Warranty:**

5-Year Warranty for -40°C to +50°C Environment.

See Page 3 for Projected Lumen Maintenance Table.

**Specification Guide:**

**Step 1:**



Select Fixture

**Step 2:**



Select Arm

**Step 3:**



Select Pole

**Project Information:**

Project Name: _____	Fixture Type: _____
Complete Catalog #: _____	Date: _____
Comments: _____	_____

**Certification & Listings:**



Specifications subject to change without notice. Rev. 043018



**Step 1: Select Fixture**

**Order Information Example:** AS301QF1X84U5KCBSF

AS301Q	F	1X84								
Model	Optics	Wattage	Driver	CCT	Lens	Color	Options	Model	Color	Options
AS301Q= EasyLED Astor Bell Pendant	F=Type V	1X84=84w	U=120-277V H=347-480V	3K=3000K 4K=4000K 5K=5000K	C=Clear Prismatic Array Lens L=LumaLens Opal Array Lens	B=Black C=Custom (Consult Factory)	SF=Single Fuse DF=Double Fuse SP=Surge Protection	ASWMM11= Single Wall Mount Arm ASMA11= Single Pole Mount Arm ASMA12= Dual Pole Mount Arm	B=Black C=Custom (Consult Factory)	R3=3-Pin Twist Lock Photocell Receptacle R7=7-Pin ANSI C136.41—2013 Twist Lock Photocell Receptacle

**Step 2: Select Arm**

**Order Information Example:** ASMA12BR7

**Step 3: Select Pole**

**Order Information Example:** PSRA2555BP3

PSRA		B	P3	
Model	Height/Shaft/Gauge (Pick one)	Color	Pole Top Mounting	Options
	4" Round 5mm Wall			
	5" Round 5mm Wall			
PSRA= Straight Round Aluminum Pole	1045=10" 1245=12" 1445=14" 1645=16" 1845=18" 2045=20"	B=Black	P3=2 1/2 x 4"H Tenon	(Leave Blank)=No Options LAB=Less Anchor Bolts (2) LBC=Less Base Cover (3)

**Notes:**

- All poles include anchor bolts standard, consult dimension table for size based on pole dimensions.
- All poles include square 2-piece black base cover.

**See PSRA Spec Sheet for Additional Specifications and EPAs**

**Mounting Options:**



**AS301Q with Single Wall Mount Arm (ASWMM11)**

Single Wall Mount Arm, Black Powdercoat Finish, Includes Hardware. Mounts Directly to Wall



**AS301Q with Single Pole Mount Arm (ASMA11)**

Single Pole Mount Arm, Black Powdercoat Finish, Includes Hardware. Requires 3" Tenon.



**AS301Q with Dual Pole Mount Arm (ASMA12)**

Dual Pole Mount Arm, Black Powdercoat Finish, Includes Hardware. Requires 3" Tenon.

**Accessories (Order separately, Field installed)**

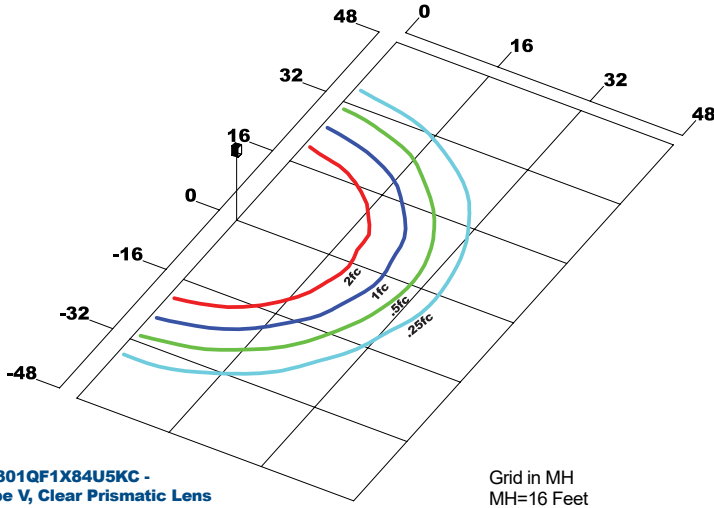
P18140	110-120VAC Instant Twist Lock Photocell
P18142	105-287VAC Instant Twist Lock Photocell
P18150	120VAC Time Delay Twist Lock Photocell
P18152	277VAC Time Delay Twist Lock Photocell
P18131	Twist Lock Non-Shorting (Open) Cap Disconnects Service to Fixture for Temporary or Permanent Disabling (Fixture Always Off). IP65, 480V Maximum.
P18132	Twist Lock Shorting Cap Provides Fixed Service to Fixture (Fixture Always on). IP65, Rated Load 7200w Tungsten.



**EPA (Effective Projected Area) Shown with Mounting Arms.**

Configuration	EPA (Sq. Ft.)	Weight (Lbs.)	Configuration	EPA (Sq. Ft.)	Weight (Lbs.)
1	0.64	22 Lbs	<b>2@180° Mount</b>	1.28	44 Lbs

**Photometric Data**



**Photometric Performance**

LED Board Watts	Drive Current (mA)	Input Watts	Optics	5000 CCT 80 CRI					4000 CCT 80 CRI				
				Lumens	LPW	B	U	G	Lumens	LPW	B	U	G
EasyLED 84w	525	87	Type V (Clear Prismatic Array Lens)	9,614	111	3	3	0	8,965	103	3	3	0
			Type V (LumaLens Array Lens)	8,220	95	3	3	0	7,665	88	3	3	0

**Projected Lumen Maintenance**

Data shown for 5000 CCT			Compare to MH			
TM-21-11	Input Watts	Initial	25,000 Hrs	50,000 Hrs	100,000 Hrs	Calculated L70@ 25°C
<b>L70 Lumen Maintenance @ 25°C / 77°F</b>	87	1.00	0.98	0.97	0.94	473,000
<b>L70 Lumen Maintenance @ 50°C / 122°F</b>	87	1.00	0.97	0.95	0.90	290,000
<b>L80 Lumen Maintenance @ 40°C / 104°F</b>	87	1.00	0.98	0.95	0.91	220,000

NOTES:  
 1. Projected per IESNA TM-21-11. Data references the extrapolated performance projections for the 525mA base model in a 25°C ambient, based on 10,000 hours of LED testing per IESNA LM-80-08.  
 2. Compare to MH box indicates suggested Light Loss Factor (LLF) to be used when comparing to Metal Halide (MH) systems.