



**AS30Q AmberLED Astor Bell Pendant**  
**Decorative Pole Mounted Luminaire**



Shown with ASMA12  
Dual Pole Mount Arm

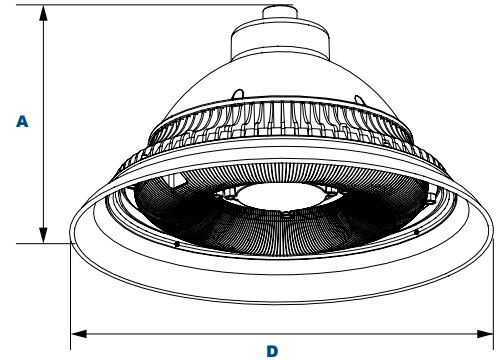


Shown with ASMA11  
Single Pole Mount Arm



Shown with ASWM11  
Wall Mount Arm

**L70**  
25°C **473,000 Hours**



**Dimensions**

<b>Diameter (D)</b>	19½" (495mm)
<b>Height (A)</b>	11" (279mm)

AS30Q AmberLED Astor Bell Pendant is available in a Type V distribution designed to replace HID lighting systems up to 250w MH or HPS for wildlife or security applications requiring monochromatic AMBER light. LEDs operate between 585 and 595 nm, greater than 560nm required for wildlife protection. The fixture mounts to a pole single arm, pole double arm, or wall mount single arm. Typical area lighting applications include parking areas, walkways, and pedestrian public spaces. Mounting heights of 12 to 30 feet can be used based on light level and uniformity requirements.

**AS30Q Specifications and Features:**

**Housing:**

Die Cast Aluminum Housing, Integral Heat Sinking and Driver Compartment, Spun Aluminum Shade, Nickel-Plated Stainless Steel Hardware. Optional Twist-Lock Receptacle and Photocells are Installed on Arm Brackets (Factory Installed).

**Listing & Ratings:**

CSA: Listed for Wet Locations, ANSI/UL 1598, 8750  
 IP66 Sealed LED Compartment

**Finish:**

Textured Architectural Black Powdercoat Finish Over a Chromate Conversion Coating. Custom Colors Available Upon Request.

**Lens:**

Clear Prismatic Array Lens to Seal LED Array

**Mounting Options:**

Single Wall Mount Arm and Bracket, or Single or Dual Pole Mount Arms. Pole Mount Arms Accommodate 3" Tenons.

**AmberLED:**

Aluminum Boards

**Wattage:**

78w Array: 77.6w, System: 82w; (150-250w HID Equivalent.)

**Driver:**

Electronic Driver, 120-277V, 50/60Hz; Less Than 20% THD and PF>0.90. Standard Internal Surge Protection 6kV. 0-10V Dimming Standard for a Dimming Range of 100% to 10%; Dimming Source Current is 150 Microamps.

**Controls:**

Fixtures Ordered with Factory-Installed Photocell or Motion Sensor Controls are Internally Wired for Switching and/or 1-10V Dimming Within the Housing. Remote Direct Wired Interface of 1-10V Dimming is Not Implied and May Not Be Available, Please Consult Factory. Fixtures are Tested with LEPC Controls and May Not Function Properly With Controls Supplied By Others. Fixtures are NOT Designed for Use with Line Voltage Dimmers.

**Warranty:**

5-Year Warranty for -40°C to +50°C Environment.

See Page 3 for Projected Lumen Maintenance Table.

**Specification Guide:**

**Step 1:**



Select Fixture

**Step 2:**



Select Arm

**Step 3:**



Select Pole

**AmberLED**

**Project Information:**

Project Name: \_\_\_\_\_ Fixture Type: \_\_\_\_\_  
 Complete Catalog #: \_\_\_\_\_ Date: \_\_\_\_\_  
 Comments: \_\_\_\_\_

**Certification & Listings:**





**Step 1: Select Fixture**

**Order Information Example:** AS301QF1X78UAMCBSF

AS301Q	F	1X78	U	AM	C		
Model	Optics	Wattage	Driver	CCT	Lens	Color	Options
<b>AS301Q</b> = AmberLED Astor Bell Pendant	<b>F</b> =Type V	<b>1X78</b> =78w	<b>U</b> =120-277V	<b>AM</b> =Amber	<b>C</b> =Clear Prismatic Array Lens	<b>B</b> =Black <b>C</b> =Custom (Consult Factory)	<b>SF</b> =Single Fuse (120-277V Only) <b>DF</b> =Double Fuse (120-277V Only) <b>SP</b> =Surge Protection <b>S2</b> =Microwave Sensor with Dimming for Mounting Heights of 8 to 40'. (120-277V Only) <b>S4</b> =Microwave On/Off Motion Sensor for Mounting Heights of 8' to 19'. (120-277V Only)

**Step 2: Select Arm**

**Order Information Example:** ASMA12BR7

Model	Color	Options
<b>ASWM11</b> = Single Wall Mount Arm <b>ASMA11</b> = Single Pole Mount Arm <b>ASMA12</b> = Dual Pole Mount Arm	<b>B</b> =Black <b>C</b> =Custom (Consult Factory)	<b>R3</b> =3-Pin Twist Lock Photocell Receptacle <b>R5</b> =5-Pin Twist Lock Photocell Receptacle <b>R7</b> =7-Pin ANSI C136.41—2013 Twist Lock Photocell Receptacle  Photocell Option not available with Wall Mount Arm.

**Step 3: Select Pole**

**Order Information Example:** PSRA2555BP3

PSRA	B	P3	
Model	Height/Shaft/Gauge (Pick One)	Color	Pole Top Mounting
	<b>4" Round 5mm Wall</b> <b>5" Round 5mm Wall</b>		
<b>PSRA</b> =Straight Round Aluminum Pole	<b>2045</b> =20' <b>2555</b> =25'	<b>B</b> =Black	<b>P3</b> =2 1/4" x 4"H Tenon  <b>(Leave Blank)</b> =No Options <b>LAB</b> =Less Anchor Bolts (2) <b>LBC</b> =Less Base Cover (3)

**Notes:**

1. PSRA poles include anchor bolts standard, consult dimension table for size based on pole dimensions.
2. PSRA poles include square 2-piece black base cover.
3. PSRA poles available in standard lengths as shown. Poles can be cut to custom lengths. Consult Factory.

**See PSRA Spec Sheet for Additional Specifications and EPAs**

**Order Information Example:** PARF422DBLAB

PARF	B	
Model	Shaft/Height/Style	Color
<b>PARF</b> =Fluted Aluminum Extruded Pole	<b>416AB</b> =16" Anchor Base Pole <b>422DB</b> =22" Direct Burial Pole	<b>B</b> =Black
		<b>(Leave Blank)</b> = No Options <b>LAB</b> = Less Anchor Bolts (2)

**Notes:**

1. PARF poles include anchor bolts standard.
2. PARF poles include removable 3" aluminum tenon.
3. PARF Poles can be cut to custom lengths. Consult factory.

**See PARF Spec Sheet for Additional Specifications and EPAs**

**Mounting Options:**



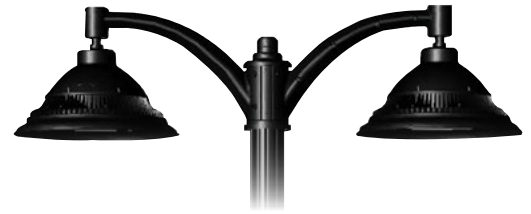
**AS301Q with Single Wall Mount Arm (ASWM11)**

Single Wall Mount Arm, Black Powdercoat Finish, Includes Hardware. Mounts Directly to Wall



**AS301Q with Single Pole Mount Arm (ASMA11)**

Single Pole Mount Arm, Black Powdercoat Finish, Includes Hardware. Requires 3" Tenon.



**AS301Q with Dual Pole Mount Arm (ASMA12)**

Dual Pole Mount Arm, Black Powdercoat Finish, Includes Hardware. Requires 3" Tenon.

**EPA (Effective Projected Area) Shown with Mounting Arms.**

Configuration	EPA (Sq. Ft.)	Weight (Lbs.)
1	0.64	22 Lbs

Configuration	EPA (Sq. Ft.)	Weight (Lbs.)
2@180' Mount	1.28	44 Lbs



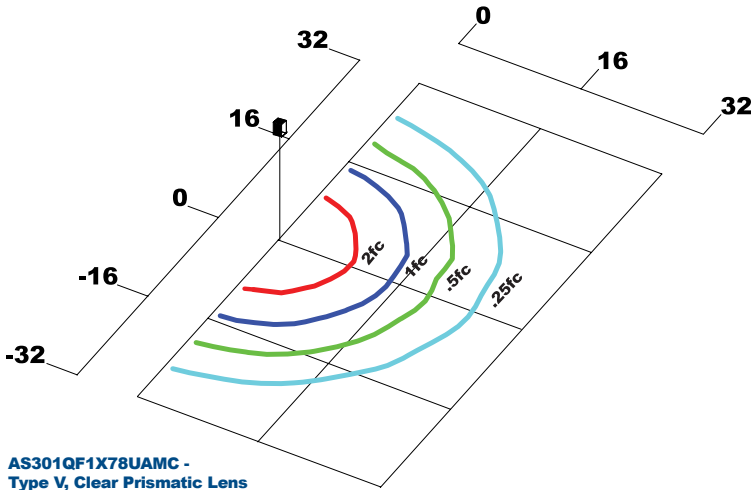
**Accessories & Replacement Parts:**



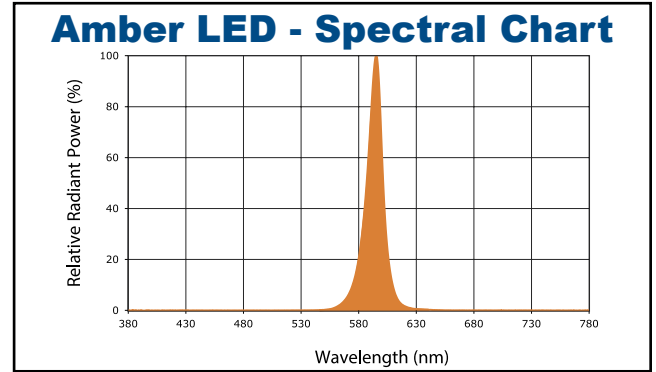
Accessories (Order Separately, Field Installed)	
P18131	Twist Lock Non-Shorting (Open) Cap Disconnects Service to Fixture for Temporary or Permanent Disabling (Fixture Always Off). IP65, 480V Maximum.
P18132	Twist Lock Shorting Cap Provides Fixed Service to Fixture (Fixture Always on). IP65, Rated Load 7200w Tungsten.
P18140	110-120VAC Instant Twist Lock Photocell
P18150	120VAC Time Delay Twist Lock Photocell
P18152	277VAC Time Delay Twist Lock Photocell
P18156	120-277VAC Universal Twist Lock Photocell
P18157	480VAC Time Delay Twist Lock Photocell. For 480V use only.

Replacement Parts (Order Separately, Field Installed)	
P17117	Internal Microwave Sensor with Dimming for Mounting Heights of 8 to 40'. 120-277VAC, 50/60Hz.
P17123	Internally Mounted Microwave On/Off Motion Sensor for Mounting Heights of 8' to 19', 120-277VAC, 50/60Hz

**Photometric Data**



**AS301QF1X78UAMC - Type V, Clear Prismatic Lens**  
 Grid in MH  
 MH=16 Feet



**Photometric Performance**

LED Board Watts	Drive Current (mA)	Input Watts	Optics	Amber LEDs				
				Lumens	LPW	B	U	G
AmberLED 78w	525	82	Type V (Clear Prismatic Array Lens)	2,375	29	1	2	0

**Projected Lumen Maintenance**

Data shown for Amber LEDs			Compare to MH			
TM-21-11	Input Watts	Initial	25,000 Hrs	50,000 Hrs	100,000 Hrs	Calculated L70@ 25°C
<b>L70 Lumen Maintenance @ 25°C / 77°F</b>	82	1.00	0.98	0.97	0.94	473,000
TM-21-11	Input Watts	Initial	25,000 Hrs	50,000 Hrs	100,000 Hrs	Calculated L70@ 50°C
<b>L70 Lumen Maintenance @ 50°C / 122°F</b>	82	1.00	0.97	0.95	0.90	290,000
TM-21-11	Input Watts	Initial	25,000 Hrs	50,000 Hrs	100,000 Hrs	Calculated L80@ 40°C
<b>L80 Lumen Maintenance @ 40°C / 104°F</b>	82	1.00	0.98	0.95	0.91	220,000

NOTES:  
 1. Projected per IESNA TM-21-11. Data references the extrapolated performance projections for the 525mA base model in a 25°C ambient, based on 10,000 hours of LED testing per IESNA LM-80-08.  
 2. Compare to MH box indicates suggested Light Loss Factor (LLF) to be used when comparing to Metal Halide (MH) systems.