



EasyLED Square Flat Bollards

L70
25°C **147,000 Hours**



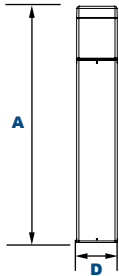
**IES Type III & V Glass
BOSFG3Q & BOSFG5Q**



**LED Cone Reflector
BOSFRLQ**



**Square Louvers
BOSFLSQ**



Dimensions

Length (D)	7" (177mm)
Height (A)	41 1/8" (1,051mm)

EasyLED Bollards with choice of optics are designed to replace HID lighting systems up to 70w MH or HPS. These fixtures are ideal for retail centers, industrial parks, schools and universities, public transit and airports, office buildings and medical facilities.

Specifications and Features:

Housing:

Extruded Aluminum Housing with Flush Mounting Base & Vandal-Resistant Screws, Flat Top, Internal Ballast Tray for Easy Maintenance. Bollards Can Be Cut to Custom Lengths Upon Request.

Listing & Ratings:

CSA: Listed for Wet Locations, ANSI/UL 1598, 8750
IP65 Sealed LED Compartment.

Finish:

Textured Architectural Bronze or Black Powdercoat Finish Over a Chromate Conversion Coating. Custom Colors Available Upon Request.

Style:

IES Type III or V Clear Prismatic Borosilicate Glass Refractor, Specially Designed Aluminum Cone Reflector or Internal Louvers

Lens:

Clear Polycarbonate Vandal-Resistant Lens

Mounting Options:

Mounting Kit with 8" Anchor Bolts, Included.

EasyLED LED:

Aluminum Boards

Wattage:

Array: 14.5w, System: 17w (70w HID Equivalent)

Driver:

Electronic Driver, 120-277V, 50/60Hz; Dimmable Driver

Warranty:

5-Year Warranty for -40°C to +40°C Environment.

See Page 2 for Projected Lumen Maintenance Table.

Order Information Example:

BOSFRLQF1X15U5KZ36SF

		1X15	U				
Model	Optics	Wattage	Driver	CCT	Color	Height	Options

BOSFG3Q=Square Flat Bollard with IES Type III Glass
BOSFG5Q=Square Flat Bollard with IES Type V Glass
BOSFRLQ=Square Flat Bollard with LED Cone Reflector
BOSFLSQ=Square Flat Bollard with Square Louvers

C=Type III*
F=Wide Beam Spread
*BOSFRLQ Only

1X15=15w

U=120-277V

3K=3000K
4K=4000K
5K=5000K

Z=Bronze
B=Black
C=Custom (Consult Factory)

(Leave Blank)=42" Standard Height
36=36" Height
30=30" Height

SF=Single Fuse
DF=Double Fuse
SP=Surge Protection
BU=Battery Backup, 90 Minutes

Project Information:

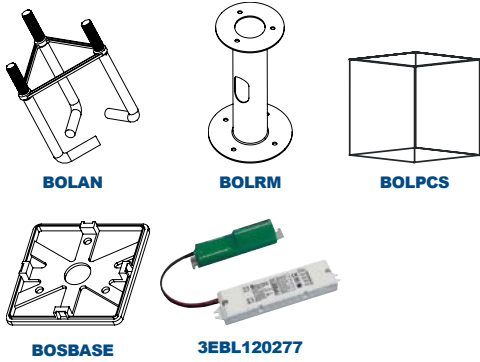
Project Name: _____ Fixture Type: _____
 Complete Catalog #: _____ Date: _____
 Comments: _____

Certification & Listings:





Accessories & Replacement Parts:

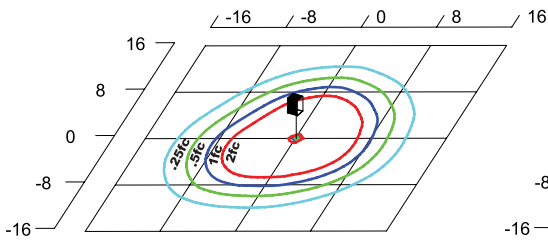


Mounting Accessories (Order separately, Field installed)	
BOLAN4	Mounting Kit, Includes Bracket & Three (3) 4" Anchor Bolts
BOLAN8	Mounting Kit, Includes Bracket & Three (3) 8" Anchor Bolts
BOLAN12	Mounting Kit, Includes Bracket & Three (3) 12" Anchor Bolts
BOLAN15	Mounting Kit, Includes Bracket & Three (3) 15" Anchor Bolts
BOLRM	Root Mount Kit

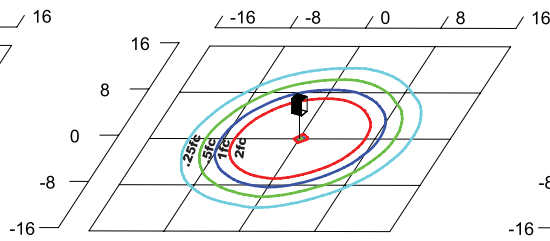
Replacement Parts (Order separately, Field installed)	
BOLPCS	Replacement Square Polycarbonate Vandal-Resistant Lens
3EBL120277	Battery Backup, Provides 90 Minutes of Backup Power.
BOSBASE*	Die Cast Base Plate with Powdercoat Finish Over a Chromate Conversion Coating.

*Specify Color: Z=Bronze, B=Black

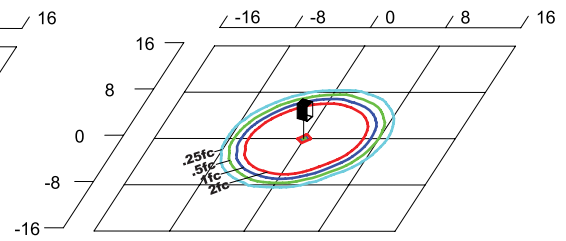
Photometric Data



BOSFG3QF1X15U5K Type V Grid in feet, Mounting Height = 3.5 ft.



BOSFG5QF1X15U5K Type V Grid in feet, Mounting Height = 3.5 ft.



BOSFRLQF1X15U5K Type V Grid in feet, Mounting Height = 3.5 ft.

Photometric Performance

LED Board Watts	Drive Current (mA)	Input Watts	Optics	5000 CCT 80 CRI					4000 CCT 80 CRI					3000 CCT 80 CRI				
				Lumens	LPW	B	U	G	Lumens	LPW	B	U	G	Lumens	LPW	B	U	G
EasyLED 15w	116	17	BOSFG3 Type III Glass	1,152	68	1	3	1	1,106	65	1	3	1	1,018	60	1	3	1
			BOSFG5 Type V Glass	1,125	66	1	3	1	1,080	64	1	3	1	905	64	1	3	1
			BOSFRL Cone Reflector	1,519	89	1	3	1	1,458	86	1	3	1	1,225	72	1	3	1
			BOSFRL Type III Optic	1,081	64	0	3	1	989	58	0	2	1	918	54	0	2	1

Projected Lumen Maintenance

Data shown for 5000 CCT	Compare to MH						
	TM-21-11	Input Watts	Initial	25,000 Hrs	50,000 Hrs	100,000 Hrs	Calculated L70@ 25°C
L70 Lumen Maintenance @ 25°C / 77°F	TM-21-11	17	1.00	0.95	0.90	0.80	147,000
L70 Lumen Maintenance @ 50°C / 122°F	TM-21-11	17	1.00	0.89	0.78	0.55	67,000
L80 Lumen Maintenance @ 40°C / 104°F	TM-21-11	17	1.00	0.92	0.85	0.70	66,000

NOTES:
 1. Projected per IESNA TM-21-11. Data references the extrapolated performance projections for the 116mA base model in a 25°C ambient, based on 10,000 hours of LED testing per IESNA LM-80-08.
 2. Compare to MH box indicates suggested Light Loss Factor (LLF) to be used when comparing to Metal Halide (MH) systems.