

## Induction Light Series

### Gas Station Induction Canopy



CP801

#### Housing:

Die Cast Aluminum Housing & Hinged Top Frame, Safety Cable Restraint, 1/2" Coin Plugs with O-Rings for Conduit & Photocell, White Powdercoat Finish Over a Chromate Conversion Coating. Two Stainless Steel Latches Provide Tool-Less Entry for Relamping.

#### Reflector:

White Powdercoat Steel Reflector.

#### Lens:

Molded Prismatic Borosilicate Glass Lens

#### Mounting:

Cast-in Template for Mounting Directly Over a 4" Recessed Outlet Box, or Use 1/2" Surface Conduit. Optional Trim Ring Available for Recessed Mounting.

#### Wattage:

Induction: 100, 120, 150, or 200w, 5000K

#### Listing & Ratings:

CSA: Listed for Wet Locations.

#### Options:

2.5KV Surge Protection

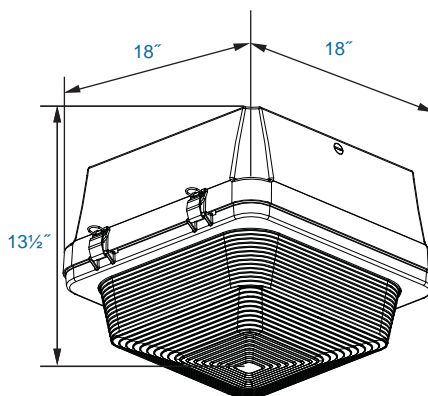
Custom Colors Available Upon Request.

Complete Units (Includes Lamp & Ballast)				
Catalog #	Wattage	Voltage	Lamp	Ballast
CP801100U5K*-	100	120-277	Induction	Electronic
CP801120U5K*-	120	120-277	Induction	Electronic
CP801150U5K*-	150	120-277	Induction	Electronic
CP801200U5K*-	200	120-277	Induction	Electronic

\*Specify TR for Recessed Mounting Trim Ring  
- Add SP for Surge Protection

**KELSEY-KANE LIGHTING MFG. CO.**  
Voice & Text: 954-772-3187  
E-Mail: [info@kelsey-kane.com](mailto:info@kelsey-kane.com)  
Website: [www.kelsey-kane.com](http://www.kelsey-kane.com)

**DIMENSIONS**



CP801

**Induction Light Series**

**Gas Station Induction Canopy**

<b>Catalog #</b>	<b>Description</b>
CP80TR	Trim Ring for Recessed Mounting. Includes Hardware.



**CP80TR**  
**(Shown Mounted)**

**KELSEY-KANE LIGHTING MFG. CO.**  
**Voice & Text: 954-772-3187**  
**E-Mail: [info@kelsey-kane.com](mailto:info@kelsey-kane.com)**  
**Website: [www.kelsey-kane.com](http://www.kelsey-kane.com)**