



**FB1C3**

L70  
25°C

89,000 Hours

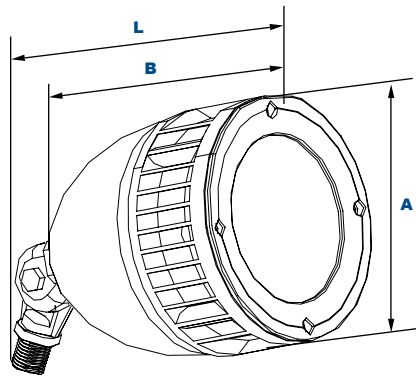
**Turbine C<sup>3</sup> LED Bullet Flood Light**



Shown with "B"  
100° Wide Optic  
Installed.



Shown with "D"  
30° Narrow Optic  
Installed.



**Dimensions**

|                              |             |
|------------------------------|-------------|
| <b>Length (B)</b>            | 6¼" (160mm) |
| <b>Length with Mount (L)</b> | 9¼" (235mm) |
| <b>Diameter (A)</b>          | 5¼" (146mm) |

The FB1 C<sup>3</sup> ColorLED static color flood light luminaire is available with a knuckle mounting feature with narrow, medium and wide distributions designed to provide accent colored light using Blue, Green, Red or Amber COB LEDs. Typical lighting applications include retail centers, industrial parks, schools and universities, public transit and airports, office buildings and medical facilities. Mounting can be accomplished using ground attachment accessories and up to heights of 12 feet based on light level and uniformity requirements.

**Specifications and Features:**

**Housing:**

Die-Cast Gasketed Aluminum Housing and Front Frame with Integral Heat-Dissipating Fins for Thermal Management. Nickel-Plated Stainless Steel Hardware.

**Listing & Ratings:**

CSA: Listed for Wet Locations, ANSI/UL 1598, 8750  
 IP66 Sealed LED Compartment.

**Finish:**

Textured Architectural Bronze Powdercoat Finish Over a Chromate Conversion Coating. Custom Colors Available Upon Request.

**Lens:**

Tempered Clear Flat Glass Lens.

**Mounting Options:**

Adjustable Knuckle with ½" NPS Threads.

**COB LED:**

ColorLED COB

**Wattage:**

20w COB: 20w, System: 21w; (100w HID Equivalent)

**Driver:**

Electronic Driver, 120-277V, 50/60Hz; Less Than 20% THD and PF>0.90. Standard Internal Surge Protection 2kV. 0-10V Dimming Standard for a Dimming Range of 100% to 10%; Dimming Source Current is 150 Microamps.

**Warranty:**

5-Year Warranty for -40°C to +50°C Environment.

**Order Information Example:**

FB1BC31X20UBLKZKNSP

Shipped from Tampa location only

| FB1                                   | 1X20   | U        | Color      | KN  | Options                                |                   |   |
|---------------------------------------|--|----------|------------|---|--|-------------------|---|
| Model                                 | Optics   | Wattage  | Driver     | CCT                                       | Color                                  | Mounting          | Options   |
| FB1=Turbine C <sup>3</sup> LED Bullet | AC3= Medium, NEMA 6H x 6V<br>BC3=Wide, NEMA 6H x 6V<br>DC3=Narrow, NEMA 4H x 4V<br><br>*See Page 2 for Distribution Information. | 1X20=20w | U=120-277V | BL=Blue<br>GR=Green<br>RD=Red<br>AM=Amber | Z=Bronze<br>C=Custom (Consult Factory) | KN=½" NPS Knuckle | SF=Single Fuse (120-277V Only)<br>DF=Double Fuse (120-277V Only)<br>SP=Surge Protection |

**Project Information:**

Project Name: \_\_\_\_\_ Fixture Type: \_\_\_\_\_  
 Complete Catalog #: \_\_\_\_\_ Date: \_\_\_\_\_  
 Comments: \_\_\_\_\_

**Certification & Listings:**





**Accessories & Replacement Parts:**



**FLPTFZ**



**FLSTK**



**FB1VZ\***

**Mounting Accessories  
 (Order Separately, Field Installed)**

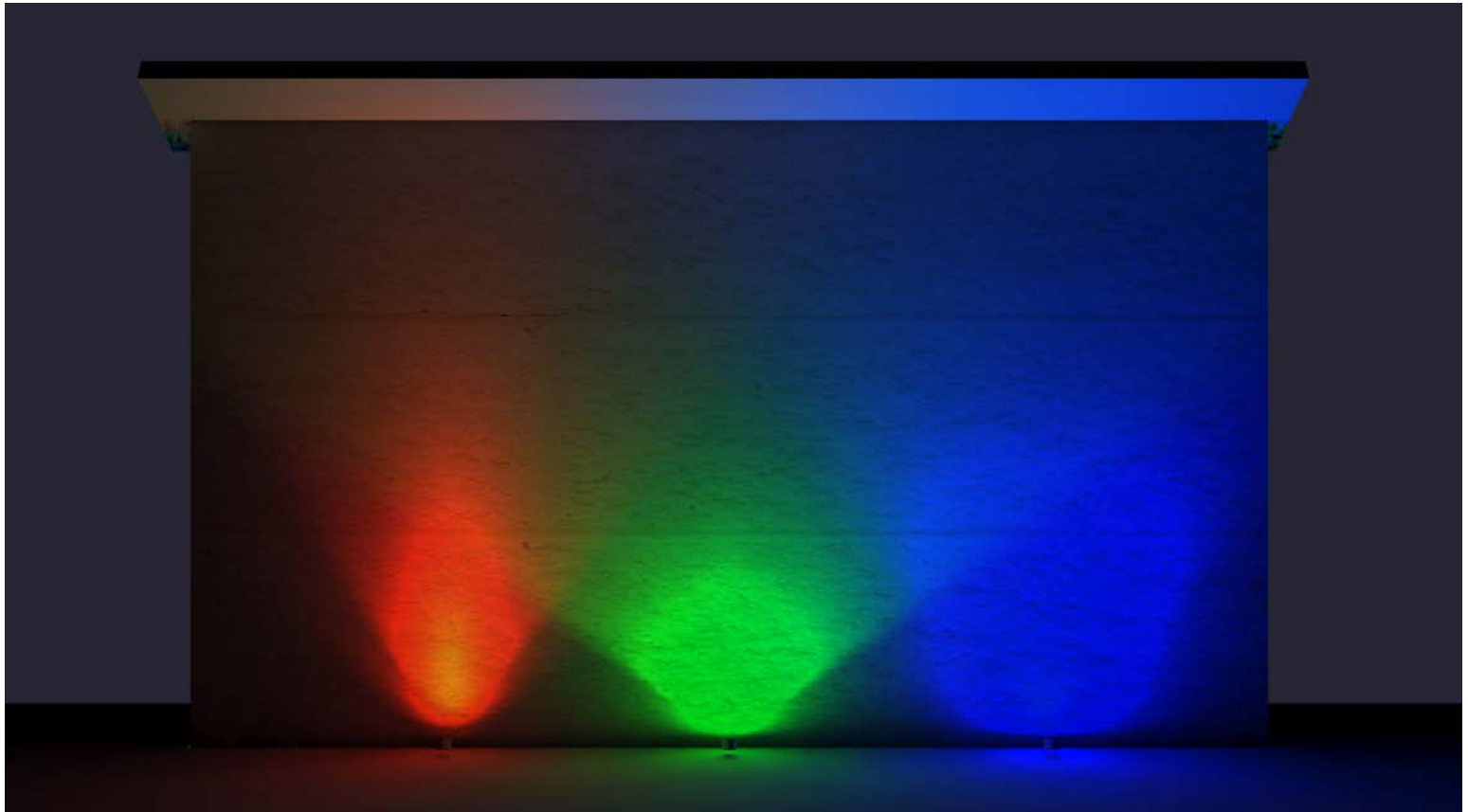
**FLPTFZ** Die-cast Post Top Fitter for 2 3/8" to 3 1/2" Poles, Bronze Powdercoat Finish, Three (3) 1/2" Coin Plugs.

**FLSTK** Heavy Duty Ground Stake, Built-in Wiring Compartment with 1/2" NPS Threaded Fitting, Black Plastic.

**Accessories  
 (Order Separately, Field Installed)**

**FB1VZ** Die-Cast Rotatable Visor, Bronze Powdercoat Finish.

\*Shown Mounted



**Narrow "D" Optic**

**Medium "A" Optic**

**Wide "B" Optic**

**Distributions**

| LED COB Watts      | Input Watts | Optic | Beam  |
|--------------------|-------------|-------|---|
| <b>COB LED 21w</b> | 21          | A     | 70°, Medium Optic<br>70°H x 70°V, NEMA 6H x 6V  |
|                    |             | B     | 100°, Wide Optic<br>100°H x 100°V, NEMA 6H x 6V |
|                    |             | D     | 30°, Narrow Optic<br>25°H x 25°V, NEMA 4H x 4V  |