

Flood Series

Round Back Flood



FL61



FL61FLSF

Housing:

Die Cast Aluminum Housing & Hinged Top Frame, Textured Architectural Bronze Powdercoat Finish Over a Chromate Conversion Coating

Reflector:

Aluminum Reflector

Lens:

Tempered Flat Clear Glass Lens

Socket:

HID: Porcelain 4KV Pulse Rated Medium Base Socket with Nickel Plated Screw Shell
PL: Plug-In Type, GX24Q-4

Mounting:

FL61: Heavy Duty Adjustable Knuckle with 1/2" NPS Threads

FL61FLSF: Adjustable Die Cast Slipfitter with Angle Indicators

Wattage:

High Pressure Sodium: 35 to 150w

Metal Halide: 50 to 100w

Pulse Start: 150w

Compact Fluorescent: 1 x 26 to 42w

Listing & Ratings:

CSA: Listed for Wet Locations

Add: PC1 120V Photocell (Field Installed)
PC2 240-277V Photocell (Field Installed)
Battery Backup Available (Sold Separately)

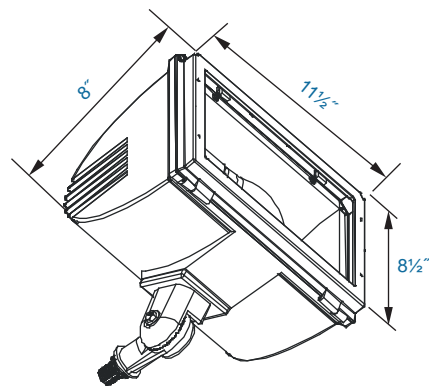
Other Wattages & Custom Colors Available Upon Request.

KELSEY-KANE LIGHTING MFG. CO.
Voice & Text: 954-772-3187
E-Mail: info@kelsey-kane.com
Website: www.kelsey-kane.com

Kit(s)				
Catalog #	Description			
FL61	Round Back Flood with Knuckle, HID Kit			
FL61FLSF	Round Back Flood with Slipfitter, HID Kit			
FL61F	Round Back Flood with Knuckle, Fluorescent Kit			
FL61FLSFF	Round Back Flood with Slipfitter, Fluorescent Kit			
Complete Units (Lamp Included)				
Catalog #	Wattage	Voltage	Lamp	Ballast
FL61H35R120L*	35	120	HPS	R-NPF
FL61H50R120L*	50	120	HPS	R-NPF
FL61H70R120L*	70	120	HPS	R-NPF
FL61H100R120L*	100	120	HPS	R-NPF
FL61H150R120L*	150	120	HPS	R-NPF
FL61H50DL*	50	120/277	HPS	HX-HPF
FL61H70QL*	70	Quad	HPS	HX-HPF
FL61H100QL*	100	Quad	HPS	HX-HPF
FL61H150QL*	150	Quad	HPS	HX-HPF
FL61M50DL*	50	120/277	MH	HX-HPF
FL61M70QL*	70	Quad	MH	HX-HPF
FL61M100QL*	100	Quad	MH	HX-HPF
FL61P150QL*	150	Quad	PS	HX-HPF
FL61F26EL*	1 x 26	120-277	PL	Electronic
FL61F32EL*	1 x 32	120-277	PL	Electronic
FL61F42EL*	1 x 42	120-277	PL	Electronic

*Add SF To Above Catalog Numbers For Slipfitter Model

DIMENSIONS

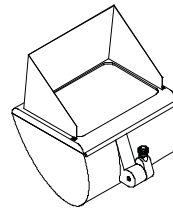


FL61

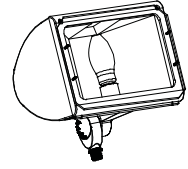
Catalog #	Description
FL60GS	Glare Shield, Aluminum, Bronze Powdercoat Finish (Can be reverse mounted as a back cutoff.)
FL60LG	Clear Polycarbonate Vandal Resistant Guard
FL60WG	Wire Guard, Stainless Steel Construction
FL61ST	Heavy Duty Adjustable Knuckle, 1/2" NPS Threads for FL61 & FL62
FL73SFX	External Mount Slipfitter, Die Cast, Hardware & Angle Indicator Bronze, Coin Plugs
FLPTF	Post Top Fitter, Die Cast Aluminum, Three (3) 1/2" Coin Plugs
FLSTK	Heavy-Duty Ground Stake, Built-in Wiring Compartment
3EB120277	Battery Backup Pack, 120-277V

Flood Series

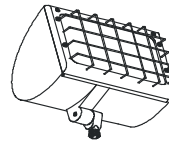
Round Back Flood



FL60GS
(Shown Mounted)



FL60LG
(Shown Mounted)



FL60WG
(Shown Mounted)



FL61ST



FL73SFX



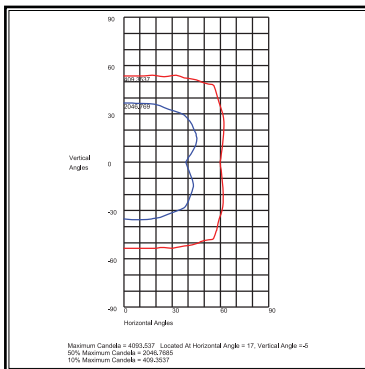
FLPTF



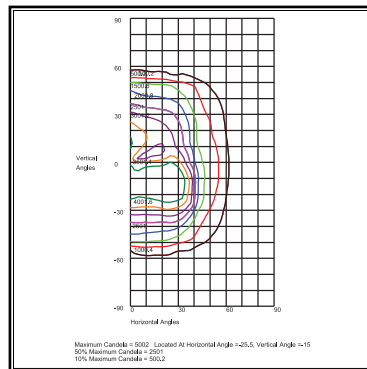
FLSTK



3EB120277



FL61H100



FL61M175

KELSEY-KANE LIGHTING MFG. CO.
 Voice & Text: 954-772-3187
 E-Mail: info@kelsey-kane.com
 Website: www.kelsey-kane.com