



**KELSEY-KANE LIGHTING  
MANUFACTURING COMPANY**  
"Serving Lighting Professionals Since 1978"

**EasyLED Technology**

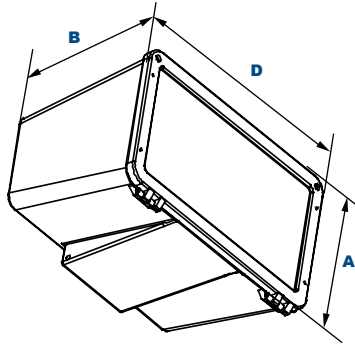
**FL65Q**  
EasyLED Large Flood

L70  
25°C

385,000 Hours



Shown with "SY" Small Yoke Mounting Option.



**Dimensions**

<b>Width (D)</b>	16 1/2" (410mm)
<b>Length (B)</b>	10 1/2" (267mm)
<b>Height (A)</b>	10 1/8" (257mm)

**Order Information Example:**

FL65QF1X68U5KCZSYSP

FL65Q	F	1X68						
Model	Beam	Wattage	Driver	CCT	Lens	Color	Mounting	Options
FL65Q=EasyLED Large Flood	F=Medium Flood, 100°H x 110°V, NEMA 7H x 7V	1X68=68w	U=120-277V H=347/480V	4K=4000K 5K=5000K	C=Clear Flat Glass Lens, P=Clear Flat Prismatic Glass Lens	Z=Bronze C=Custom (Consult Factory)	SF= Slipfitter SY=Small Yoke LY=Large Yoke	SF=Single Fuse DF=Double Fuse SP=Surge Protection R3=3-Pin 480V Twist Lock Photocell Receptacle with P18132 Shorting cap R7=7-Pin ANSI C136.41—2013 Twist Lock Photocell Receptacle with P18132 shorting cap P40=P18140 110-120VAC Instant P42=P18142 105-287VAC Instant P50=P18150 120VAC Time Delay P52=P18152 277VAC Time Delay

**Project Information:**

Project Name: \_\_\_\_\_ Fixture Type: \_\_\_\_\_  
 Complete Catalog #: \_\_\_\_\_ Date: \_\_\_\_\_  
 Comments: \_\_\_\_\_

**Certification & Listings:**



FL65Q Large Flood light luminaire is available with a choice of yoke or slip fitter mounting configurations and medium flood optical distribution designed to replace HID lighting systems up to 400w MH or HPS. Typical lighting applications include retail centers, industrial parks, schools and universities, public transit and airports, office buildings and medical facilities. Mounting can be accomplished using wide variety of attachment accessories for wall, pole, and ground locations to heights of 25 feet based on light level and uniformity requirements.

**Specifications and Features:**

**Housing:**

Die-Cast Aluminum Housing & Hinged Gasketed Lens Frame. Nickel-Plated Stainless Steel Hardware.

**Finish:**

Textured Architectural Bronze Powdercoat Finish Over a Chromate Conversion Coating. Custom Colors Available Upon Request.

**Lens:**

Tempered Clear Flat Glass Lens or Tempered Clear Flat Prismatic Glass Lens.

**Mounting Options:**

Stamped Steel Small or Large Yoke, or Adjustable Die Cast Slipfitter with Angle Indicator.

**EasyLED LED:**

Aluminum Boards

**Wattage:**

Array: 68.2w, System: 75w  
(400w HID Equivalent)

**Driver:**

Electronic Driver, 120-277V, 50/60Hz or 347/480V, 50/60Hz; Dimmable Driver

**Listing & Ratings:**

CSA: Listed for Wet Locations.  
Operating Temperatures: -40°C to +50°C  
IP65 Sealed LED Compartment.

LM-79 Report Available on Select Models.

See Page 2 for Projected Lumen Maintenance Table.

5-Year Warranty.



**Accessories & Replacement Parts:**



**Mounting Accessories  
 (Order separately, Field installed)**

FL65SWBZ Heavy Duty Swivel Wall Bracket, 120° Rotation, Stamped Steel, Bronze Powdercoat Finish, Includes Hardware.

**Accessories  
 (Order separately, Field installed)**

FL65GSZ Glare Shield, Aluminum, Bronze Powdercoat Finish, Includes Hardware.

FL65LG Clear Polycarbonate Vandal Resistant Guard

FL65WG Wire Guard, Stainless Steel Construction

P18140 110-120VAC Instant Twist Lock Photocell

P18142 105-287VAC Instant Twist Lock Photocell

P18150 120VAC Time Delay Twist Lock Photocell

P18152 277VAC Time Delay Twist Lock Photocell

P18131 Twist Lock Non-Shorting (Open) Cap Disconnects Service to Fixture for Temporary or Permanent Disabling (Fixture Always Off). IP65, 480V Maximum.

P18132 Twist Lock Shorting Cap Provides Fixed Service to Fixture (Fixture Always on). IP65, Rated Load 7200w Tungsten.

**Replacement Parts  
 (Order separately, Field installed)**

FL65GL Tempered Clear Flat Glass Lens.

FL65GLP Tempered Prismatic Flat Glass Lens.

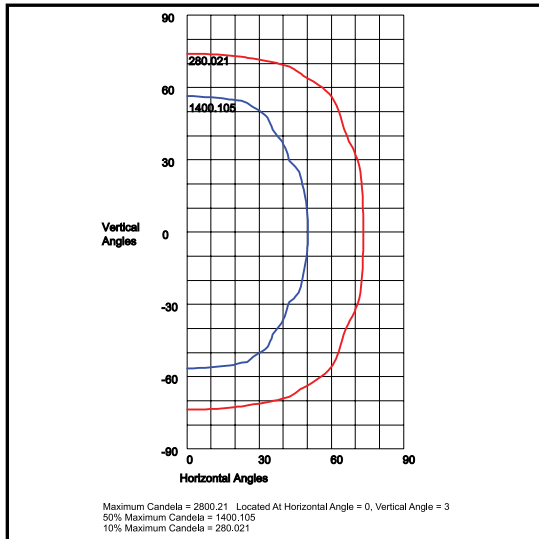
FL65LYZ Stamped Heavy-Duty Large Steel Yoke, Bronze Powdercoat Finish, Includes Hardware.

FL65SYZ Stamped Heavy-Duty Small Steel Yoke, Bronze Powdercoat Finish, Includes Hardware.

FL73SFZX External Mount Die-Cast Adjustable Slipfitter for 2 3/8" Tenons, Bronze Powdercoat Finish, Includes Hardware.

\*Shown Mounted.

**Photometric Data**



**FL65QF1X68U5KC**  
**100°H x 110°V Beam, NEMA 7H x 7V**

**Photometric Performance**

LED Board Watts	Drive Current (mA)	Input Watts	Beam	5000 CCT 80 CRI		4000 CCT 80 CRI	
				Lumens	LPW	Lumens	LPW
EasyLED 68w	525	75	F 100°H x 110°V, NEMA 7H x 7V	7,401	99	6,772	90

**Projected Lumen Maintenance**

Data shown for 5000 CCT TM-21-11	Input Watts	Compare to MH				
		Initial	25,000 Hrs	50,000 Hrs	100,000 Hrs	Calculated L70@ 25°C
L70 Lumen Maintenance @ 25°C / 77°F	75	1.00	0.98	0.96	0.92	385,000
TM-21-11	Input Watts	Initial	25,000 Hrs	50,000 Hrs	100,000 Hrs	Calculated L70@ 50°C
L70 Lumen Maintenance @ 50°C / 122°F	75	1.00	0.96	0.93	0.86	209,000
TM-21-11	Input Watts	Initial	25,000 Hrs	50,000 Hrs	100,000 Hrs	Calculated L80@ 40°C
L80 Lumen Maintenance @ 40°C / 104°F	75	1.00	0.97	0.94	0.89	176,000

**NOTES:**

- Projected per IESNA TM-21-11. Data references the extrapolated performance projections for the 525mA base model in a 25°C ambient, based on 10,000 hours of LED testing per IESNA LM-80-08.
- Compare to MH box indicates suggested Light Loss Factor (LLF) to be used when comparing to Metal Halide (MH) systems.

Specifications subject to change without notice. Rev. 072417