



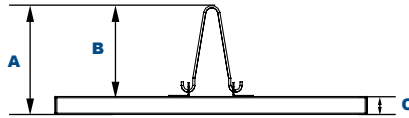
GL33C3

Easy-Gro LED Grow Light (120w)



Dimensions

Height 1 (A)	6" (152mm)
Height 2 (B)	5" (127mm)
Height 1 (C)	1" (25mm)



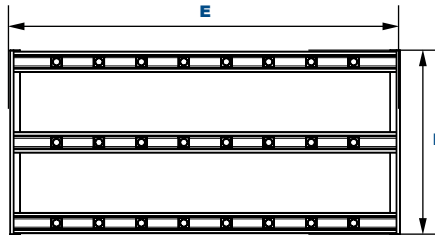
Dimensions

Length 1 (D)	35 1/4" (895mm)
---------------------	-----------------



Dimensions

Length 2 (E)	36 1/4" (920mm)
Width (F)	17 1/4" (436mm)



Order Information Example:

GL33C3120120

GL33C3	120	120
Model	Wattage	Driver
GL33C3= Easy-Gro LED Grow Light	120=120w	120=120V

Project Information:

Project Name: _____ Fixture Type: _____

Complete Catalog #: _____ Date: _____

Comments: _____

Specifications and Features:

- Optimum Plant Growth with Higher Yields
- The Color Spectrum is Designed to Promote Photosynthesis:
Red - 77.1% / Blue - 22.6% / Green - .3%
- Nanometer Ranges: Red - 600-699 /Blue - 400-499 / Green - 500-599
- Cool Operating Temperatures for Easier Ambient Air Temperature Control
- Growing Area Recommended Dimensions: 4' Long by 3' Wide

Housing:

All Aluminum Construction, LED Chips are Potted with High Temperature Silicone Epoxy. Lightweight Design for Easy Installation and Re-Location as Desired. 10 foot 120V Cord Set Included.

Listing & Ratings:

CSA: Listed for Wet Locations, ANSI/UL 1598, 8750; IP66

Mounting Options:

Easy Mount V-Hangers Included

Driver:

Electronic Driver, 120-277V, 50/60Hz; Less Than 20% THD and PF>0.90. Standard Internal Surge Protection 10kV. 0-10V Dimming Standard for a Dimming Range of 100% to 10%; Dimming Source Current is 150 Microamps.

Warranty:

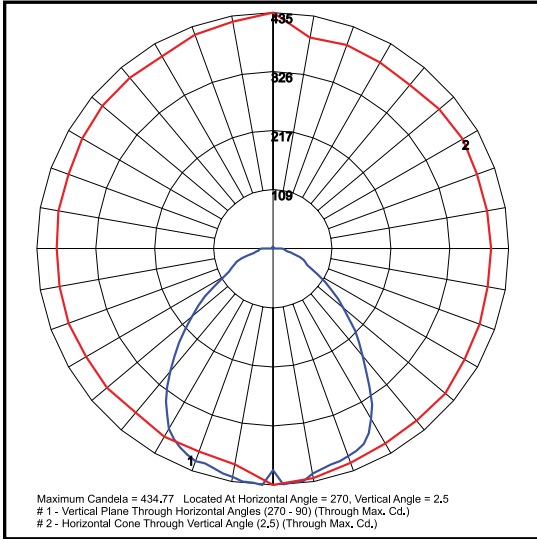
5-Year Warranty for -35°C to +50°C Environment.

Certification & Listings:



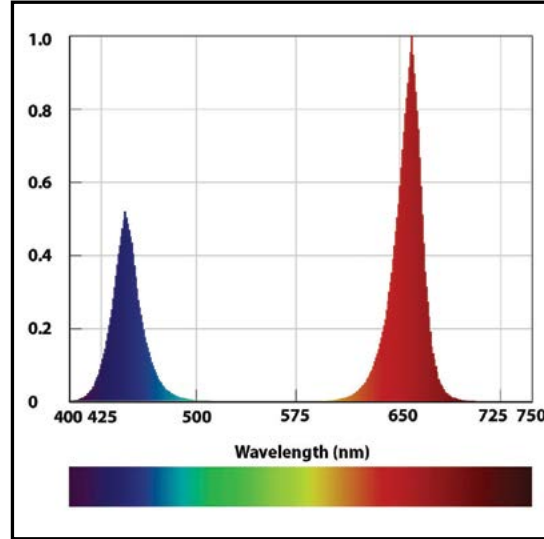


Photometric Data

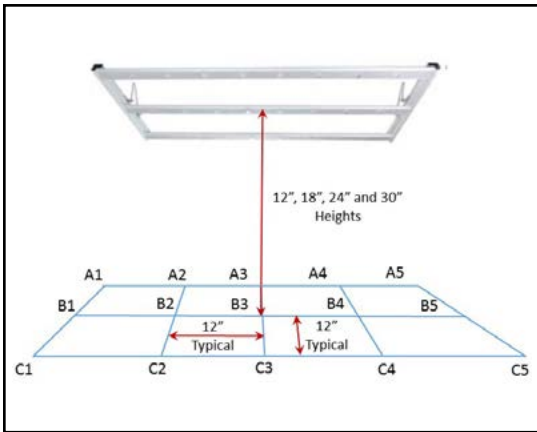


GL33C3120120

Spectral Chart:



PAR Measurements



GL33C3120120

Values in $\mu\text{mol}/\text{m}^2$ -s

36" Mounting Height				
A1	A2	A3	A4	A5
24	36	42	37	25
B1	B2	B3	B4	B5
28	39	47	40	27
C1	C2	C3	C4	C5
26	34	40	33	22

24" Mounting Height				
A1	A2	A3	A4	A5
26	46	58	43	24
B1	B2	B3	B4	B5
32	61	78	59	31
C1	C2	C3	C4	C5
26	46	56	43	22

18" Mounting Height				
A1	A2	A3	A4	A5
20	52	65	49	21
B1	B2	B3	B4	B5
34	80	104	75	39
C1	C2	C3	C4	C5
23	50	64	47	20

12" Mounting Height				
A1	A2	A3	A4	A5
14	61	73	60	17
B1	B2	B3	B4	B5
28	112	136	109	23
C1	C2	C3	C4	C5
16	56	75	59	16