



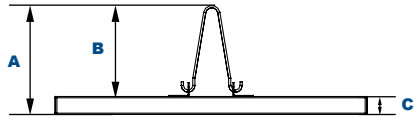
GL73C3

Easy-Gro LED Grow Light (240w)



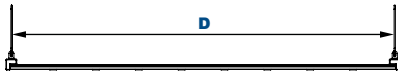
Dimensions

Height 1 (A)	6" (152mm)
Height 2 (B)	5" (127mm)
Height 1 (C)	1" (25mm)



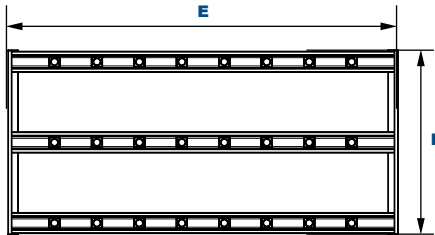
Dimensions

Length 1 (D)	35 1/4" (895mm)
--------------	-----------------



Dimensions

Length 2 (E)	36 1/4" (920mm)
Width (F)	17 1/8" (436mm)



Order Information Example:

GL73C3240120

GL73C3	240	120
Model	Wattage	Driver
GL73C3= Easy-Gro LED Grow Light	240=240w	120=120V

Project Information:

Project Name: _____ Fixture Type: _____

Complete Catalog #: _____ Date: _____

Comments: _____

Specifications and Features:

- Optimum Plant Growth with Higher Yields
- The Color Spectrum is Designed to Promote Photosynthesis:
Red - 77.1% / Blue - 22.6% / Green - .3%
- Nanometer Ranges: Red - 600-699 / Blue - 400-499 / Green - 500-599
- Cool Operating Temperatures for Easier Ambient Air Temperature Control
- Growing Area Recommended Dimensions: 6' Long by 4' Wide

Housing:

All Aluminum Construction, LED Chips are Potted with High Temperature Silicone Epoxy. Lightweight Design for Easy Installation and Re-Location as Desired. 10 foot 120V Cord Set Included.

Listing & Ratings:

CSA: Listed for Wet Locations, ANSI/UL 1598, 8750; IP66

Mounting Options:

Easy Mount V-Hangers Included

Driver:

Electronic Driver, 120-277V, 50/60Hz; Less Than 20% THD and PF>0.90. Standard Internal Surge Protection 10kV. 0-10V Dimming Standard for a Dimming Range of 100% to 10%; Dimming Source Current is 150 Microamps.

Warranty:

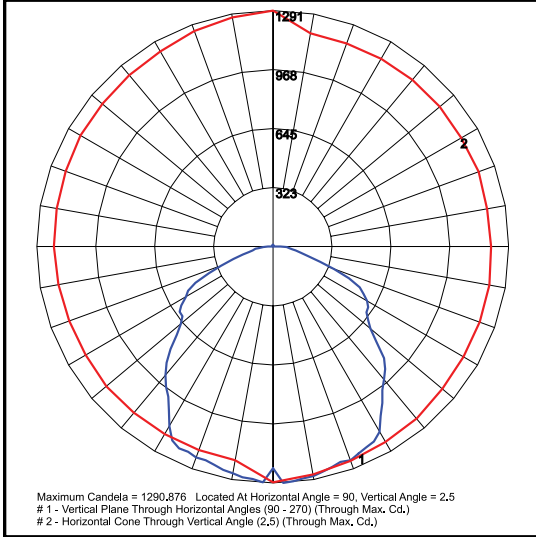
5-Year Warranty for -35°C to +50°C Environment.

Certification & Listings:



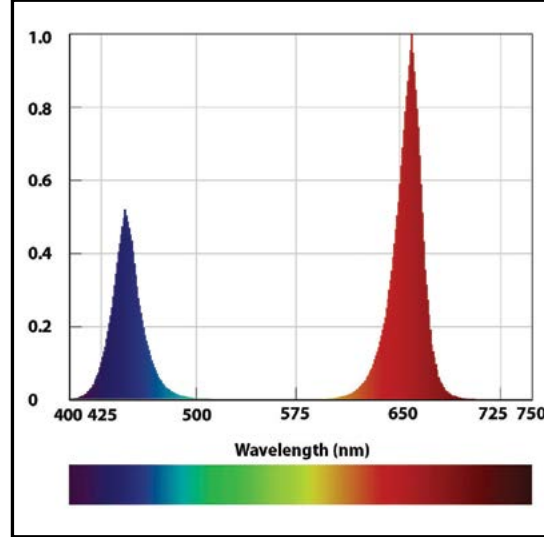


Photometric Data

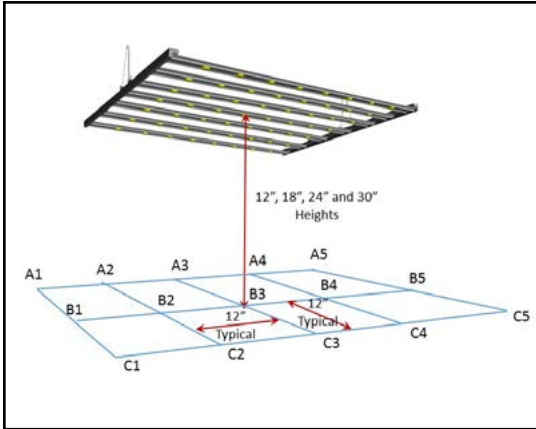


GL73C3240120

Spectral Chart:



PAR Measurements



GL73C3240120

Values in $\mu\text{mol}/\text{m}^2$ -s

36" Mounting Height					
A1	A2	A3	A4	A5	
66	90	98	85	61	
B1	B2	B3	B4	B5	
70	98	113	93	63	
C1	C2	C3	C4	C5	
67	91	106	87	58	

24" Mounting Height					
A1	A2	A3	A4	A5	
60	106	134	108	66	
B1	B2	B3	B4	B5	
81	144	186	150	85	
C1	C2	C3	C4	C5	
65	109	140	113	67	

18" Mounting Height					
A1	A2	A3	A4	A5	
56	117	141	115	53	
B1	B2	B3	B4	B5	
84	199	258	190	77	
C1	C2	C3	C4	C5	
67	135	169	127	60	

12" Mounting Height					
A1	A2	A3	A4	A5	
50	130	153	128	76	
B1	B2	B3	B4	B5	
97	318	409	284	69	
C1	C2	C3	C4	C5	
62	154	210	152	53	