

KH15Q

Mini Bentley Kitty Hawk Flood with Gooseneck Arm

KH15Q Gooseneck LEDlight flood luminaire is available in two wattages with 5 Gooseneck arms of various lengths, and optical distributions designed to replace HID lighting systems from 70w to 175w MH or HPS. Typical lighting applications include retail centers, industrial parks, schools and universities, public transit and airports, signage, office buildings and medical facilities. Designed for architectural wall mounting up to heights of up to 20 feet based on light level and uniformity requirements.

KH15 Specifications and Features:

Housing:

Die Cast Aluminum Housing and Front Frame, Integral Heat Sinking and Driver Compartment. Photocell Adaptable. Nickel-Plated Stainless Steel Hardware.

Listing & Ratings:

CSA: Listed for Wet Locations, ANSI/UL 1598, 8750 IP66 Sealed LED Compartment.

Finish:

Powdercoat Finish Over a Chromate Conversion Coating. Custom Colors Available Upon Request.

Lens:

Tempered Clear Flat Glass Lens or Tempered Clear Flat Prismatic Glass Lens.

Mounting:

Adjustable Knuckle with 1/2" NPS Threads.

EasyLED LED:

Aluminum Boards

Wattage:

22 Watt: Array: 21.7w, System: 23.8w (Up to 100w HID Equivalent.)

37 Watt: Array: 37.2w, System: 43w (Up to 175w HID Equivalent.)

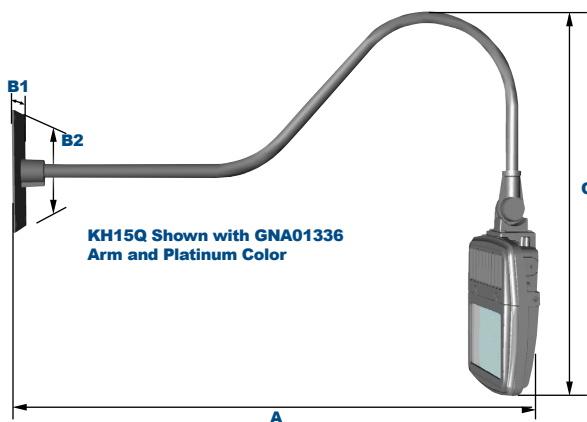
Driver:

Electronic Driver, 120-277V, 50/60Hz; 347V, 50/60Hz (37w Model Only); Dimmable Driver

Warranty:

5-Year Warranty for -40°C to +50°C Environment.

See Page 3 for Projected Lumen Maintenance Table.



KH15Q Shown with GNA01336 Arm and Platinum Color

Dimensions

Base Length (B1)	8" (203mm)
Base Height (B2)	8" (203mm)
Length (A)	37" (939mm)
Height (C)	28 1/2" (724mm)

See Page 2 for Fixture and Arm Dimensions

Step 1: Select KH15 Luminaire

Order Information Example:

KH15QF1X22U5KCPGNKSP

KH15Q							GNK		
Model	Beam	Wattage	Driver	CCT	Lens	Color	Mounting	Options	
KH15Q = EasyLED Mini Bentley Kitty Hawk Flood Light	C =NEMA 7H x 7V F =NEMA 7H x 7V *See Page 3 for Distribution Information.	1X22 =22w 1X37 =37w	U =120-277V C =347V* *37w Model Only.	3K =3000K* 4K =4000K 5K =5000K *Use with 37w F Optic Only	C =Clear Flat Glass Lens P =Clear Flat Prismatic Glass Lens* *Use with F Optic Only	B =Black, RAL9011 P =Platinum, RAL9006 R =Red, RAL3020 W =White, RAL9016 C =Custom (Consult Factory)	GNK =1/2" NPS Knuckle with Fittings and 72" of Wire for Arm Feed Through to Wall Box	SF =Single Fuse DF =Double Fuse SP =Surge Protection	

Step 2: Select Arm

Order Information Example:

GNA01336PS

Model	Length	Color	Mounting
GNA013 - Classic Hook	36=36" 30=30"	B =Black, RAL9011 P =Platinum, RAL9006 R =Red, RAL3020 W =White, RAL9016 C =Custom (Consult Factory)	S =Square Oversized Wall Mount R =Round Wall Mount N =No Wall Mount
GNA023 - Straight	30=30" 24=24" 18=18" 12=12"		
GNA033 - Straight Offset	30=30" 24=24"		
GNA043 - Straight Rise	30=30"		
GNA053 - Round Hook	30=30" 24=24" 18=18"		

Gooseneck Arm Specifications and Features:

Construction:

Heavy-Duty 3/4" Aluminum Arms with 3/4" NPS Threads on Fixture Mounting End.

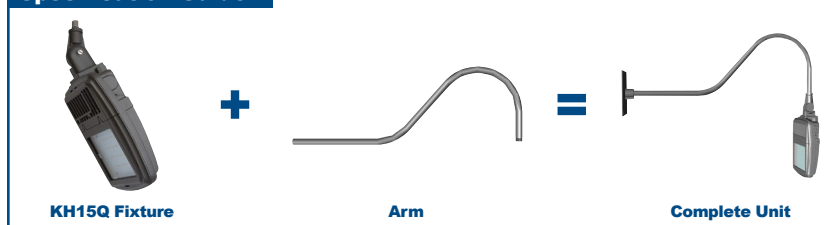
Finish:

Powdercoat Finish Over a Chromate Conversion Coating. Custom Colors Available Upon Request.

Mounting Options:

Mount with 3/4" Square or Round Mounting Plates.

Specification Guide:



Project Information:

Project Name: _____ Fixture Type: _____
 Complete Catalog #: _____ Date: _____
 Comments: _____

Certification & Listings:



DesignLights Consortium™
 Qualified Luminaires:
 KH15QC1X22U5KC*
 KH15QC1X37U5KC*
 KH15QF1X22U5KC*
 KH15QF1X37U5KC*



KH15Q Mini Bentley Kitty Hawk Flood with Gooseneck Arm

Accessories & Replacement Parts:



PC1 & PC2



KH15GS



KH15WG*

*Shown mounted.

**Accessories
 (Order separately, Field installed)**

PC1	120VAC Photocell
PC2	250-305VAC Photocell
KH15GS*	Aluminum Glare Shield, Powdercoat Finish, Includes Hardware.
KH15WG	Wire Guard, Stainless Steel Construction, Includes Hardware.

*Specify Color: B=Black, P=Platinum, R=Red, W=White, C=Custom (Consult Factory)

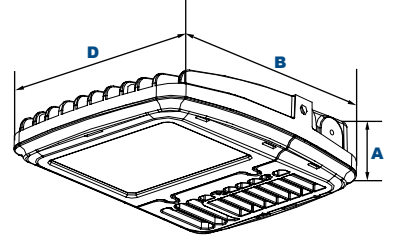
**Replacement Parts
 (Order separately, Field installed)**

KH15GL	Tempered Clear Flat Glass Lens.
KH15GLP	Tempered Prismatic Flat Glass Lens.

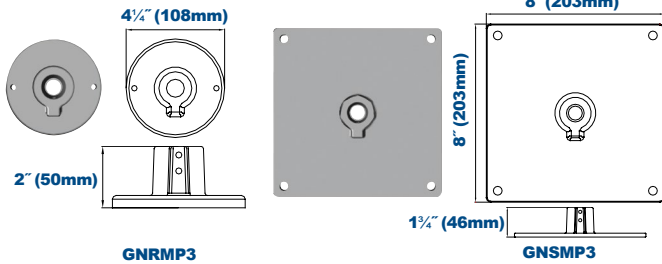
KH15 Dimensions:



Mini Bentley Kitty Hawk Flood



Wall Plate Dimensions:



**Replacement Wall Plates
 (Order separately, Field installed)**

GNRMP3* Round Wall Mount Plate, Powdercoat Finish.

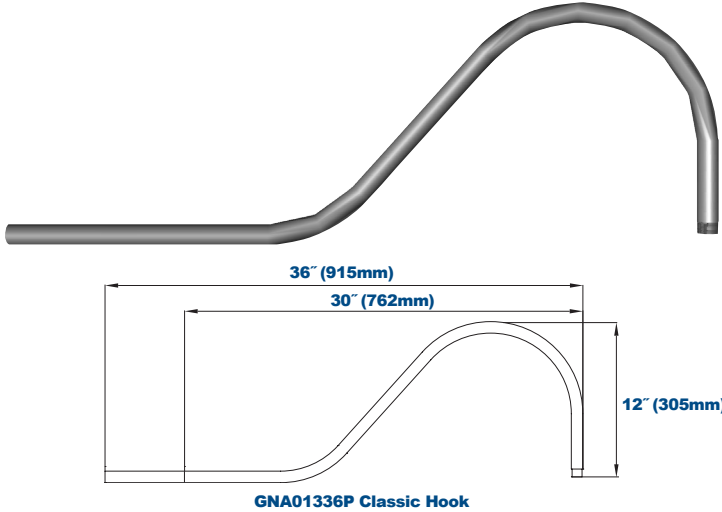
GNSMP3* Square Oversized Wall Mount Plate, Powdercoat Finish.

*Specify Color: B=Black, P=Platinum, R=Red, W=White, C=Custom (Consult Factory)

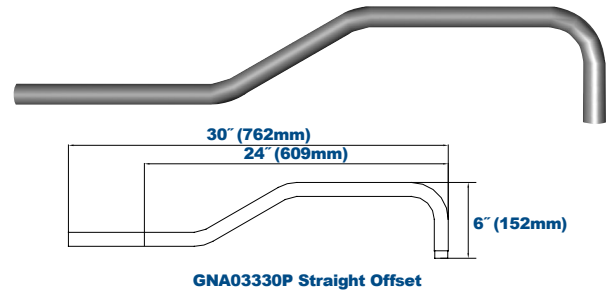
Dimensions

Width (D)	9 1/2" (240mm)
Length (B)	11 1/4" (299mm)
Height (A)	3 3/8" (92mm)

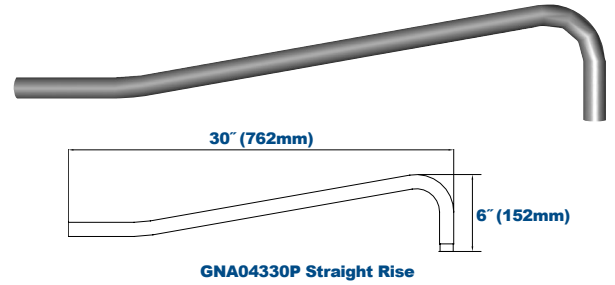
Gooseneck Dimensions:



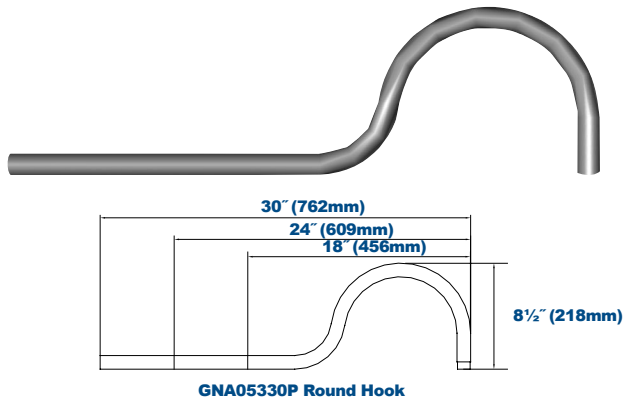
GNA01336P Classic Hook



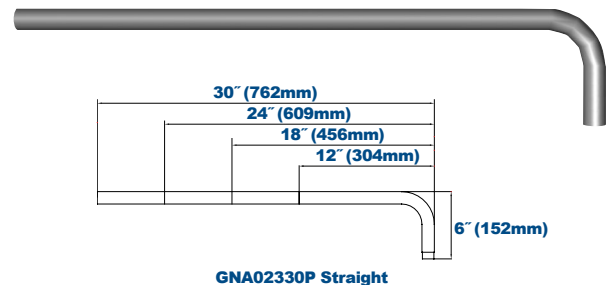
GNA03330P Straight Offset



GNA04330P Straight Rise



GNA05330P Round Hook

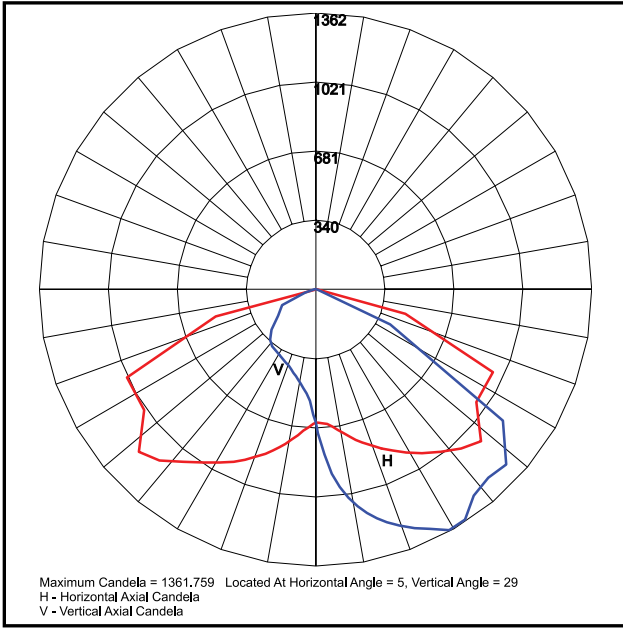


GNA02330P Straight

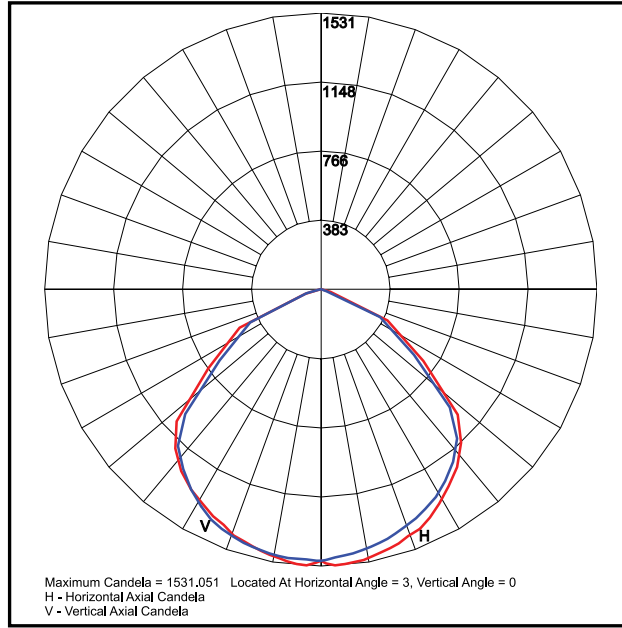
Specifications subject to change without notice. Rev. 101717



Photometric Data



KH15QC-1X37U5KC
 135°H x 60°V, NEMA 7H x 7V



KH15QF-1X37U5KC
 110°H x 110°V Beam, NEMA 7H x 7V

Photometric Performance

LED Board Watts	Drive Current (mA)	Input Watts	Beam	5000 CCT 80 CRI		4000 CCT 80 CRI	
				Lumens	LPW	Lumens	LPW
EasyLED 22w	525	24	C 110°H x 75°V, NEMA 7H x 7V	2,854	115	2,661	107
			F 110°H x 110°V, NEMA 7H x 7V	2,749	111	2,563	103
EasyLED 37w	525	43	C 135°H x 60°V, NEMA 7H x 7V	4,800	117	4,476	109
			F 110°H x 110°V, NEMA 7H x 7V	4,623	113	4,311	105

Projected Lumen Maintenance

Data shown for 5000 CCT			Compare to MH				
TM-21-11	Input Watts	Initial	25,000 Hrs	50,000 Hrs	100,000 Hrs	Calculated L70@ 25°C	
L70 Lumen Maintenance @ 25°C / 77°F	24	1.00	0.98	0.97	0.93	429,000	
L70 Lumen Maintenance @ 25°C / 77°F	43	1.00	0.98	0.95	0.91	320,000	
TM-21-11	Input Watts	Initial	25,000 Hrs	50,000 Hrs	100,000 Hrs	Calculated L70@ 50°C	
L70 Lumen Maintenance @ 50°C / 122°F	24	1.00	0.97	0.94	0.88	259,000	
L70 Lumen Maintenance @ 50°C / 122°F	43	1.00	0.95	0.89	0.79	141,000	
TM-21-11	Input Watts	Initial	25,000 Hrs	50,000 Hrs	100,000 Hrs	Calculated L80@ 40°C	
L80 Lumen Maintenance @ 40°C / 104°F	24	1.00	0.97	0.95	0.90	195,000	
L80 Lumen Maintenance @ 40°C / 104°F	43	1.00	0.96	0.93	0.85	134,000	

NOTES:

1. Projected per IESNA TM-21-11. Data references the extrapolated performance projections for the 525mA base model in a 25°C ambient, based on 10,000 hours of LED testing per IESNA LM-80-08.
2. Compare to MH box indicates suggested Light Loss Factor (LLF) to be used when comparing to Metal Halide (MH) systems.