



LV1AQ

EasyLED 12" Linear LED Die Cast with Gooseneck Arm

LV1AQ series Gooseneck LEDlight flood luminaire is available in two wattages with 5 Gooseneck arms of various lengths, and clear or LumaLens lenses designed to replace HID lighting systems from 70w to 175w MH or HPS. Typical lighting applications include retail centers, industrial parks, schools and universities, public transit and airports, office buildings and medical facilities. Designed for architectural wall mounting up to heights of 20 feet based on light level and uniformity requirements.

LV1AQ Specifications and Features:

Housing:

Heavy-Duty Die Cast Aluminum Housing and Top Frame.

Listing & Ratings:

CSA: Listed for Wet Locations, ANSI/UL 1598, 8750 IP66 Sealed LED Compartment.

Finish:

Powdercoat Finish Over a Chromate Conversion Coating. Custom Colors Available Upon Request.

Lens:

Clear Polycarbonate Vandal-Resistant Lens or LumaLens Opal Polycarbonate Vandal-Resistant Lens

Mounting:

Adjustable Knuckle with 1/2" NPS Threads.

EasyLED LED:

Aluminum Boards

Wattage:

Array: 22w, System: 26.4w (70w HID Equivalent)
 Array: 37.2w, System: 43.4w (175w HID Equivalent)

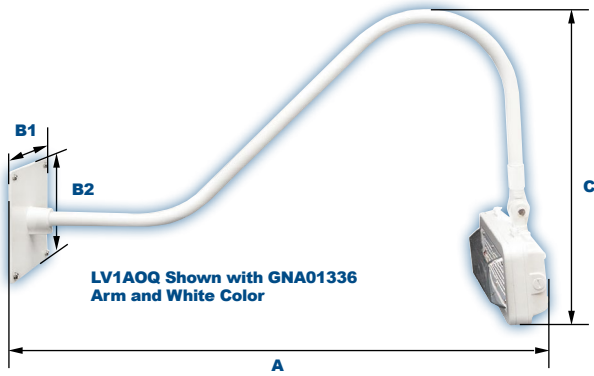
Driver:

Electronic Driver, 120-277V, 50/60Hz; Dimmable Driver

Warranty:

5-Year Warranty for -40°C to +50°C Environment.

See Page 3 for Projected Lumen Maintenance Table.



LV1AQ Shown with GNA01336 Arm and White Color

Dimensions

Base Length (B1)	8" (203mm)
Base Height (B2)	8" (203mm)
Length (A)	37" (939mm)
Height (C)	21" (530mm)

See Page 2 for Fixture and Arm Dimensions

Step 1: Select LV1AQ Luminaire

Order Information Example:

LV1AQF37U5KCWGNKSP

LV1AQ	F	U	5K			GNK		
Model	Optic	Wattage	Driver	CCT	Lens	Color	Mounting	Options
LV1AQ= EasyLED Open Frame 12" Linear LED Die Cast	F=Wide	22=22w 37=37w	U=120-277V	5K=5000K	C=Clear Polycarbonate Vandal-Resistant Lens L=LumaLens Opal Polycarbonate Vandal-Resistant Lens	B=Black, RAL9011 P=Platinum, RAL9006 R=Red, RAL3020 W=White, RAL9016 C=Custom (Consult Factory)	GNK=1/2" NPS Knuckle with Fittings and 72" of Wire for Arm Feed Through to Wall Box.	SF=Single Fuse DF=Double Fuse SP=Surge Protection

L70
25°C

187,000 Hours

Step 2: Select Arm

Order Information Example:

GNA01336WS

Model	Length	Color	Mounting
GNA013 - Classic Hook	36=36" 30=30"	B=Black, RAL9011 P=Platinum, RAL9006 R=Red, RAL3020 W=White, RAL9016 C=Custom (Consult Factory)	S=Square Oversized Wall Mount R=Round Wall Mount N=No Wall Mount
GNA023 - Straight	30=30" 24=24" 18=18" 12=12"		
GNA033 - Straight Offset	30=30" 24=24"		
GNA043 - Straight Rise	30=30"		
GNA053 - Round Hook	30=30" 24=24" 18=18"		

Gooseneck Arm Specifications and Features:

Construction:

Heavy-Duty 3/4" Aluminum Arms with 3/4" NPS Threads on Fixture Mounting End.

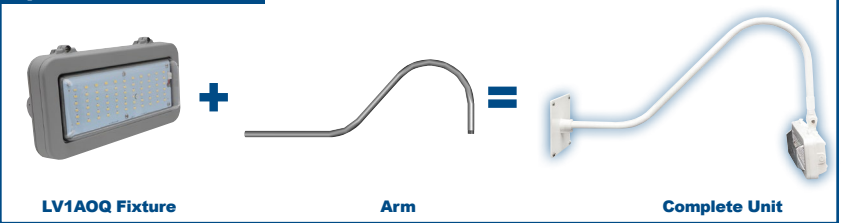
Finish:

Powdercoat Finish Over a Chromate Conversion Coating. Custom Colors Available Upon Request.

Mounting Options:

Mount with 3/4" Square or Round Mounting Plates.

Specification Guide:



Project Information:

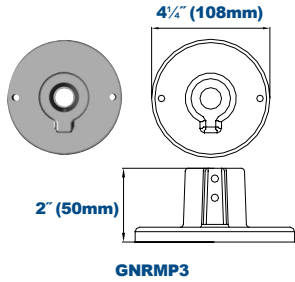
Project Name: _____ Fixture Type: _____
 Complete Catalog #: _____ Date: _____
 Comments: _____

Certification & Listings:





Wall Plate Dimensions:



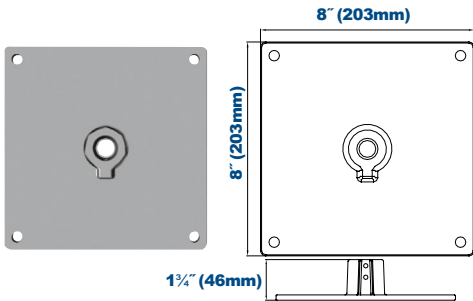
GNRMP3

Replacement Wall Plates (Order separately, Field installed)

GNRMP3* Round Wall Mount Plate, Powdercoat Finish.

GNSMP3* Square Oversized Wall Mount Plate, Powdercoat Finish.

*Specify Color: B=Black, P=Platinum, R=Red, W=White, C=Custom (Consult Factory)

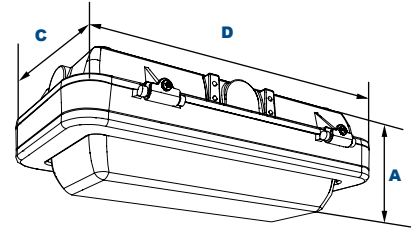


GNSMP3

LV1A0 Dimensions:



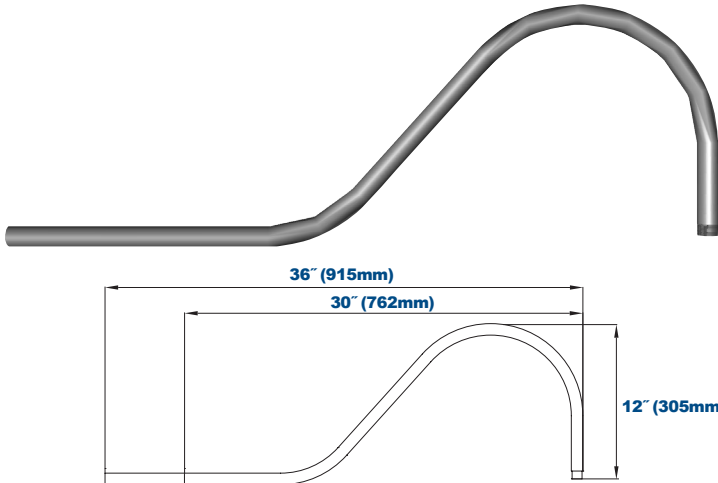
LV1A0Q



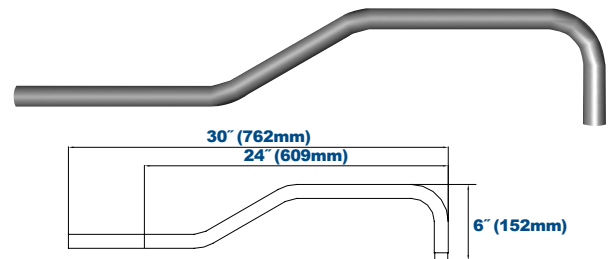
Dimensions

Width (D)	12 1/2" (309mm)
Length (C)	7" (178mm)
Height (A)	4" (102mm)

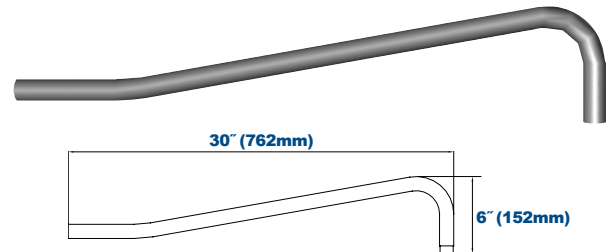
Gooseneck Dimensions:



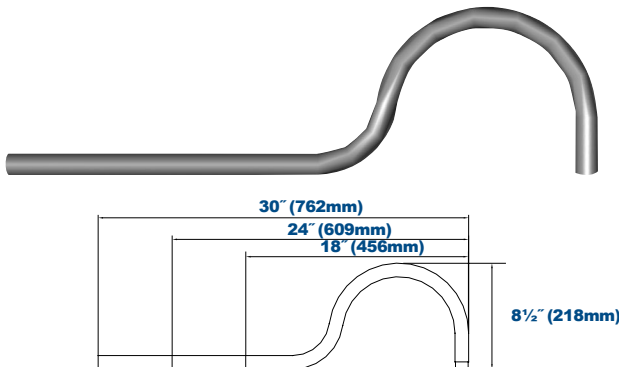
GNA01336P Classic Hook



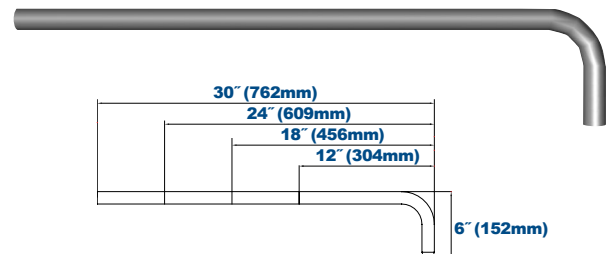
GNA03330P Straight Offset



GNA04330P Straight Rise



GNA05330P Round Hook

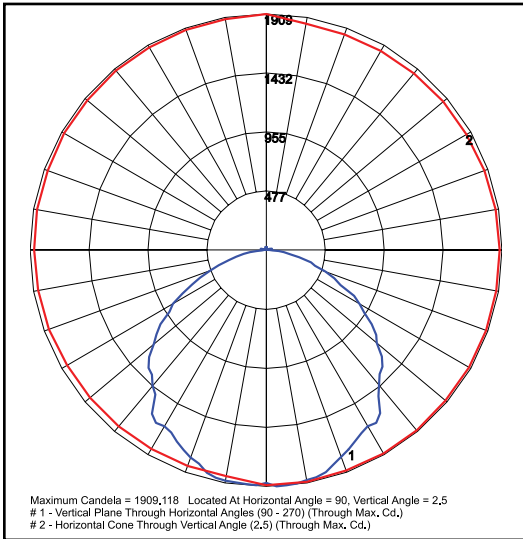


GNA02330P Straight

Specifications subject to change without notice. Rev. 101717



Photometric Data



LV1AQQF37U5KC
Wide Optic

Photometric Performance

LED Board Watts	Drive Current (mA)	Input Watts	Optics	Spacing Criteria	5000 CCT 80 CRI	
					Lumens	LPW
EasyLED 22w (Clear Lens)	116	26	Open Frame (110° x 110°)	1.34	3,332	128
EasyLED 22w (LumaLens)			Open Frame (110° x 120°)	1.26	2,945	113
EasyLED 37w (Clear Lens)		43	Open Frame (110° x 110°)	1.26	5,538	129
EasyLED 37w (LumaLens)			Open Frame (110° x 120°)	1.26	4,948	115

Projected Lumen Maintenance

Data shown for 5000 CCT			Compare to MH			
TM-21-11	Input Watts	Initial	25,000 Hrs	50,000 Hrs	100,000 Hrs	Calculated L70@ 25°C
L70 Lumen Maintenance @ 25°C / 77°F	26	1.00	0.96	0.92	0.84	187,000
L70 Lumen Maintenance @ 25°C / 77°F	43	1.00	0.96	0.92	0.84	187,000
TM-21-11	Input Watts	Initial	25,000 Hrs	50,000 Hrs	100,000 Hrs	Calculated L70@ 50°C
L70 Lumen Maintenance @ 50°C / 122°F	26	1.00	0.94	0.88	0.75	121,000
L70 Lumen Maintenance @ 50°C / 122°F	43	1.00	0.93	0.86	0.72	109,000
TM-21-11	Input Watts	Initial	25,000 Hrs	50,000 Hrs	100,000 Hrs	Calculated L80@ 40°C
L80 Lumen Maintenance @ 40°C / 104°F	26	1.00	0.95	0.89	0.79	94,000
L80 Lumen Maintenance @ 40°C / 104°F	43	1.00	0.94	0.88	0.79	84,000

NOTES:
 1. Projected per IESNA TM-21-11. Data references the extrapolated performance projections for the 116mA base model in a 25°C ambient, based on 10,000 hours of LED testing per IESNA LM-80-08.
 2. Compare to MH box indicates suggested Light Loss Factor (LLF) to be used when comparing to Metal Halide (MH) systems.