

VP53Q EasyLED LEDicated Vaporproof with Gooseneck Arm

LEDicated Vaporproof Gooseneck LEDlight luminaire is available with 5 Gooseneck arms of various lengths and is designed to replace HID lighting systems up to 175w MH or HPS. This vapor resistant fixture can withstand extreme physical and environmental abuse and is ideal for retail centers, industrial parks, schools and universities, public transit and airports, office buildings and medical facilities. Designed for architectural wall mounting up to heights of 20 feet based on light level and uniformity requirements.

VP53Q Specifications and Features:

Housing:

Heavy Duty Die Cast Aluminum Housing with Integral Heat Sinking, 3/4" NPS Threaded Mount.

Listing & Ratings:

CSA: Listed for Wet Locations, ANSI/UL 1598, 8750
 IP66 Sealed LED Compartment.

Finish:

Powdercoat Finish Over a Chromate Conversion Coating. Custom Colors Available Upon Request.

Lens:

Flat Clear Tempered Glass Lens

Mounting:

Fixed Mount or Adjustable Swivel with 3/4" NPS Threads.

EasyLED LED:

Aluminum Boards

Wattage:

Array: 23w, System: 27w (175w HID Equivalent)

Driver:

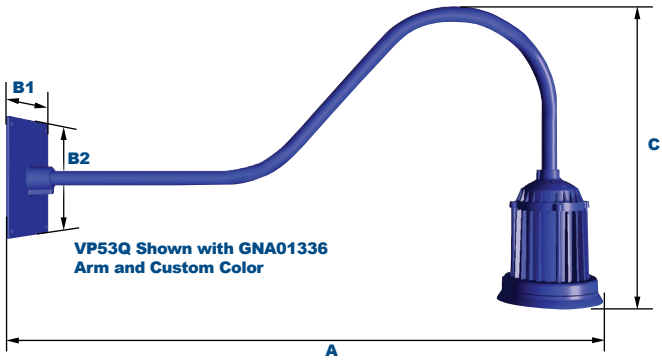
Electronic Driver, 120-277V, 50/60Hz; Dimmable Driver

Warranty:

5-Year Warranty for -40°C to +50°C Environment.

See Page 3 for Projected Lumen Maintenance Table.

L70
25°C **187,000 Hours**



VP53Q Shown with GNA01336 Arm and Custom Color

See Page 2 for Fixture and Arm Dimensions

Dimensions	
Base Length (B1)	8" (203mm)
Base Height (B2)	8" (203mm)
Length (A)	39 1/2" (1003mm)
Height (C)	24" (606mm)

Step 1: Select VP53Q Luminaire

Order Information Example: **VP53QF1X23U5KCGNSDF**

VP53Q	F	1X23	U	5K			
Model	Optics	Wattage	Driver	CCT	Color	Mounting	Options
VP53Q=EasyLED LEDicated Pendant Mount Vaporproof	F=Type V	1X23=23w	U=120-277V	5K=5000K	B=Black, RAL9011 P=Platinum, RAL9006 R=Red, RAL3020 W=White, RAL9016 C=Custom (Consult Factory)	GNF=Fixed Downlight, Includes 72" of Wire for Arm Feed Through to Wall Box GNS=Adjustable Swivel Includes 72" of Wire for Arm Feed Through to Wall Box	SF=Single Fuse DF=Double Fuse

Step 2: Select Arm

Order Information Example: **GNA01336CS**

Model	Length	Color	Mounting
GNA013 - Classic Hook	36=36" 30=30"	B=Black, RAL9011 P=Platinum, RAL9006 R=Red, RAL3020 W=White, RAL9016 C=Custom (Consult Factory)	S=Square Oversized Wall Mount R=Round Wall Mount N=No Wall Mount
GNA023 - Straight	30=30" 24=24" 18=18" 12=12"		
GNA033 - Straight Offset	30=30" 24=24"		
GNA043 - Straight Rise	30=30"		
GNA053 - Round Hook	30=30" 24=24" 18=18"		

Gooseneck Arm Specifications and Features:

Construction:

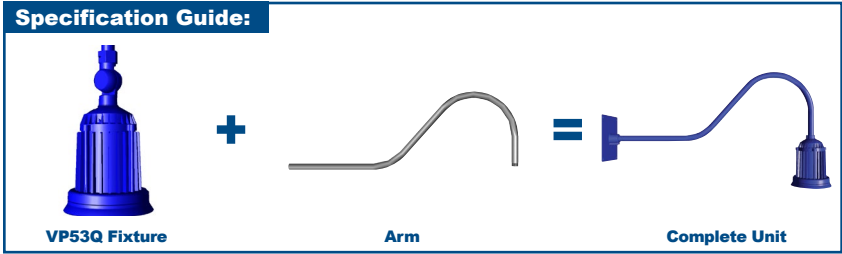
Heavy-Duty 3/4" Aluminum Arms with 3/4" NPS Threads on Fixture Mounting End.

Finish:

Powdercoat Finish Over a Chromate Conversion Coating. Custom Colors Available Upon Request.

Mounting Options:

Mount with 3/4" Square or Round Mounting Plates.



Project Information:

Project Name: _____ Fixture Type: _____

Complete Catalog #: _____ Date: _____

Comments: _____

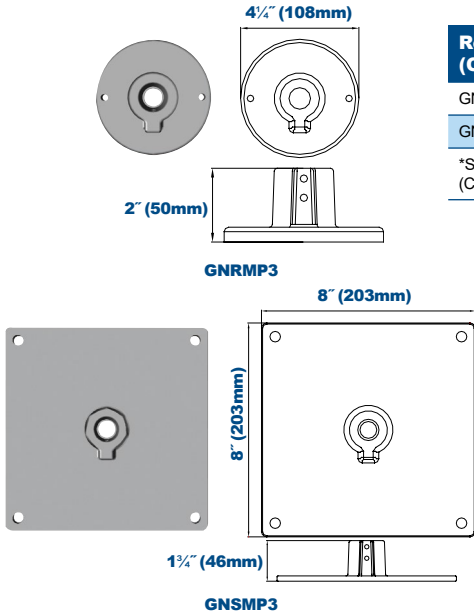
Certification & Listings:



Specifications subject to change without notice. Rev. 101717



Wall Plate Dimensions:



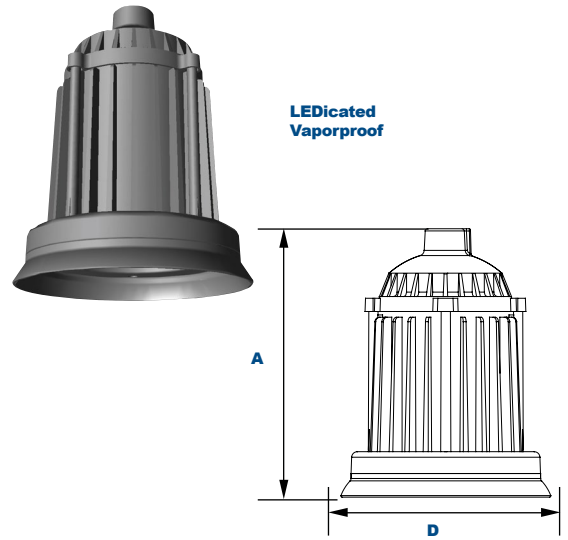
**Replacement Wall Plates
 (Order separately, Field installed)**

GNRMP3* Round Wall Mount Plate, Powdercoat Finish.

GNSMP3* Square Oversized Wall Mount Plate, Powdercoat Finish.

*Specify Color: B=Black, P=Platinum, R=Red, W=White, C=Custom (Consult Factory)

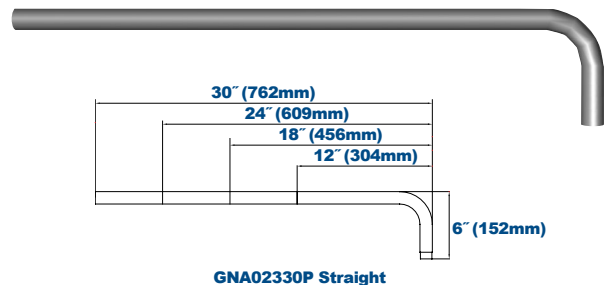
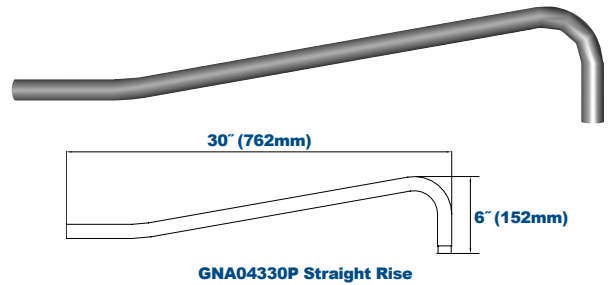
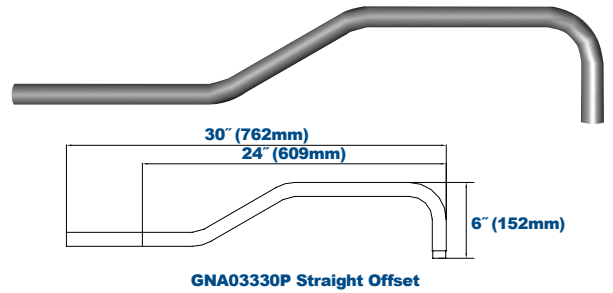
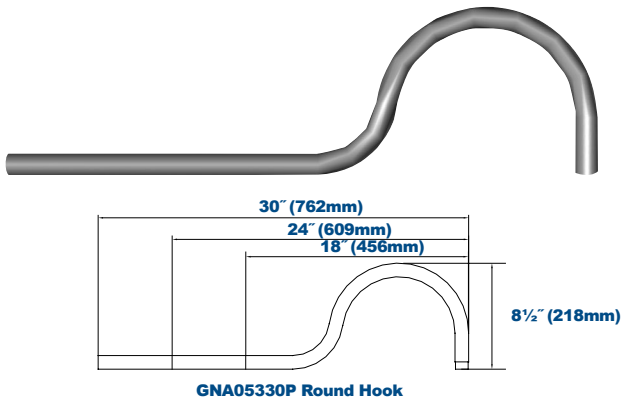
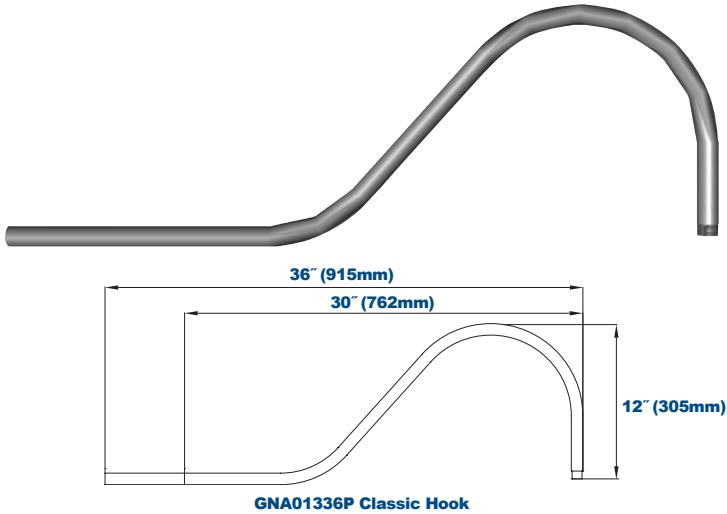
VP53Q Dimensions:



Dimensions

Diameter (D)	7 1/4" (184mm)
Height (A)	9 1/4" (235mm)

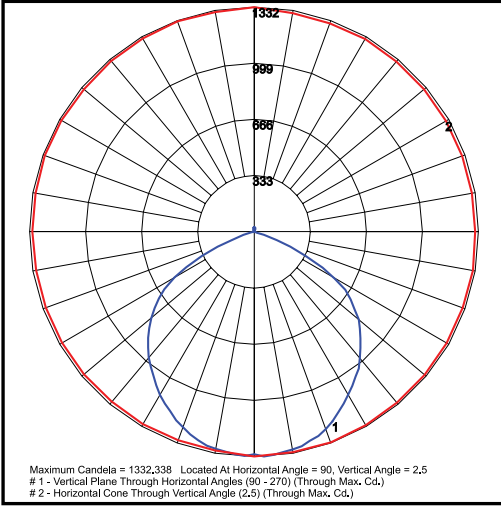
Gooseneck Dimensions:



Specifications subject to change without notice. Rev. 101717



Photometric Data



VP53QF1X23U5K
Type V

Grid in MH
 MH=10 Feet

Photometric Performance

LED Board Watts	Drive Current (mA)	Input Watts	Optics	5000 CCT 80 CRI				
				Lumens	LPW	B	U	G
EasyLED 23w	116	27	Type V	3,385	125	2	2	0

Projected Lumen Maintenance

Data shown for 5000 CCT			Compare to MH				
TM-21-11	Input Watts	Initial	25,000 Hrs	50,000 Hrs	100,000 Hrs	Calculated L70@ 25°C	
L70 Lumen Maintenance @ 25°C / 77°F	27	1.00	0.96	0.92	0.84	187,000	
TM-21-11	Input Watts	Initial	25,000 Hrs	50,000 Hrs	100,000 Hrs	Calculated L70@ 50°C	
L70 Lumen Maintenance @ 50°C / 122°F	27	1.00	0.93	0.86	0.72	107,000	
TM-21-11	Input Watts	Initial	25,000 Hrs	50,000 Hrs	100,000 Hrs	Calculated L80@ 40°C	
L80 Lumen Maintenance @ 40°C / 104°F	27	1.00	0.94	0.88	0.76	82,000	

NOTES:

1. Projected per IESNA TM-21-11. Data references the extrapolated performance projections for the 116mA base model in a 25°C ambient, based on 10,000 hours of LED testing per IESNA LM-80-08.
2. Compare to MH box indicates suggested Light Loss Factor (LLF) to be used when comparing to Metal Halide (MH) systems.