



**KELSEY-KANE LIGHTING
MANUFACTURING COMPANY**
"Serving Lighting Professionals Since 1978"

KH25Q

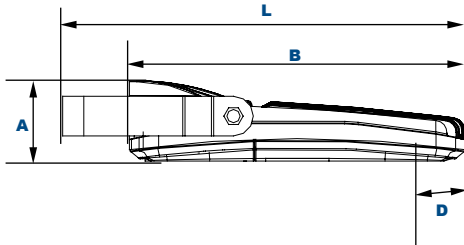
L70
25°C

320,000 Hours

EasyLED Small Bentley Kitty Hawk Area Light



Shown with "KA" Kitty Hawk Arm Mounting Option.



Dimensions

Width (D)	13 3/8" (340mm)	Length with Mount (L)
Length (B)	15" (381mm)	
Height (A)	3 3/8" (92mm)	

- Kitty Hawk Arm (KA):** 27 1/2" (699mm)
- Slipfitter (SF):** 18 3/4" (476mm)
- Mounting Arm Adaptor (MA):** 19 1/8" (486mm)
- Yoke (Y):** 18" (457mm)
- Bracket (BR):** 18 3/4" (476mm)
- Easy-Hang Wall Bracket (KHEH):** 16" (406mm)

Order Information Example:

KH25QF1X112U5KCZKASP

Model	Optics	Wattage	Driver	CCT	Lens	Color	Mounting	Options
KH25Q Small Bentley Kitty Hawk Area Light	A =Type I B =Type II C =Type III D =Type IV F =Type V	1X81 =81w 1X112 =112w	U =120-277V H =347/480V* *81w Model Only.	3K =3000K* 4K =4000K 5K =5000K *Use with 81w C, D, F Optics. ♦ Use with 112w D & F Optics.	C =Clear Flat Glass Lens P =Clear Flat Prismatic Glass Lens*	Z =Bronze C =Custom (Consult Factory)	KA =Kitty Hawk Arm SF = Slipfitter MA = Mounting Arm Adaptor Y =Yoke BR =Two-Piece Swivel Bracket EH =Easy-Hang Wall Bracket NM =No Mount	SF =Single Fuse DF =Double Fuse SP =Surge Protection M1 =Motion Sensor, IR for mounting heights of 20ft to 35ft M2 =Motion Sensor, IR for mounting heights of 18ft or less R3 =3-Pin Twist Lock Photocell Receptacle R7 =7-Pin ANSI C136.41—2013 Twist Lock Photocell Receptacle with P18132 shorting cap

Project Information:

Project Name: _____ Fixture Type: _____
 Complete Catalog #: _____ Date: _____
 Comments: _____

Certification & Listings:

DesignLights Consortium™
 Qualified Luminaires:
 KH25QA1X81U5KC*
 KH25QA1X112U5KC*
 KH25QB1X81U5KC*
 KH25QB1X112U5KC*
 KH25QC1X81U5KC*
 KH25QC1X112U5KC*
 KH25QD1X81U5KC*
 KH25QD1X112U5KC*
 KH25QF1X81U5KC*
 KH25QF1X112U5KC*

Specifications subject to change without notice. Rev. 092017

EasyLED Technology

KH25Q luminaire is available in two wattages with a wide choice of mounting configurations and optical distributions designed to replace HID lighting systems from 150w to 400w MH or HPS. Typical area lighting applications include retail centers, industrial parks, schools and universities, public transit and airports, office buildings and medical facilities. Mounting heights of 14 to 25 feet can be used based on light level and uniformity requirements.

Specifications and Features:

Housing:

Die Cast Aluminum Housing and Front Frame, Integral Heat Sinking and Driver Compartment. Photocell Adaptable. Nickel-Plated Stainless Steel Hardware.

Listing & Ratings:

CSA: Listed for Wet Locations, ANSI/UL 1598, 8750
 IP66 Sealed LED Compartment.

Finish:

Textured Architectural Bronze Powdercoat Finish Over a Chromate Conversion Coating. Custom Colors Available Upon Request.

Lens:

Tempered Clear Flat Glass Lens or Tempered Clear Flat Prismatic Glass Lens.

Mounting Options:

Mounts with Kitty Hawk Arm, Adjustable Slipfitter, 2 3/8" Diameter Mounting Arm Adapter, Yoke, Two-Piece Bracket or Easy Hang Wall Bracket (Factory Installed).

EasyLED LED:

Aluminum Boards

Wattage:

81w: Array: 80.5w, System: 86.6w;
 (150-250w HID Equivalent.)
 112w: Array: 111.5w, System: 119.9w
 (250-400w HID Equivalent.)

Driver:

Electronic Driver, 120-277V, 50/60Hz or 347/480V, 50/60Hz; Dimmable Driver.

Warranty:

5-Year Warranty for -40°C to +50°C Environment.

LM-79 Report Available on Select Models.

See Page 3 for Projected Lumen Maintenance Table.



Mounting Options:

KH25Q with Kitty Hawk Arm (KA)
 Kitty Hawk Die-Cast Mounting Arm, Bronze Powdercoat Finish, Includes Hardware. Mounts Directly to Square Poles.

KH25Q with Pole Mounting Arm Adaptor (MA)
 Die-Cast Adaptor for 2 3/4" Horizontal Mounting Arms, Bronze Powdercoat Finish, Includes Hardware.

KH25Q with Yoke (Y)
 Stamped Heavy-Duty Steel Yoke, Bronze Powdercoat Finish, Includes Hardware.

KH25Q with "SF" External Mount Slipfitter (SF)
 External Mount Die-Cast Adjustable Slipfitter for 2 3/4" Tenons, Bronze Powdercoat Finish, Includes Hardware.

KH25Q with Two-Piece Swivel Bracket (BR)
 Two-Piece Stamped Steel Adjustable Bracket, Bronze Powdercoat Finish, Includes Hardware.

KH25Q with Easy-Hang Bracket (EH)
 Die-Cast Easy-Hang Wall Bracket, Bronze Powdercoat Finish, Includes Hardware.

EPA (Effective Projected Area)

Shown with Small Kitty Hawk Arm mounting.

Configuration	EPA (Sq. Ft.)	Weight (Lbs.)
1	0.60	15 Lbs

Configuration	EPA (Sq. Ft.)	Weight (Lbs.)
2@180° Mount	1.20	30 Lbs
2@90° Mount	0.82	30 Lbs

Configuration	EPA (Sq. Ft.)	Weight (Lbs.)
3@90° Mount	1.32	45 Lbs
3@120° Mount	1.20	45 Lbs

Configuration	EPA (Sq. Ft.)	Weight (Lbs.)
4@90° Mount	1.32	60 Lbs



Mounting Accessories (Order separately, Field installed)

KH20RPZ	Die-Cast Adaptor for 3" to 4" Round Poles, Bronze Powdercoat Finish. Use with Kitty Hawk Mounting Arm only.
KH20WMZ	Die-Cast Wall Mount Adaptor, Bronze Powdercoat Finish. Use with KH25A Kitty Hawk Mounting Arm only.
PTSB1SZ	Single Pole Tenon Spoke Bracket, 2 3/4" Horizontal Mounting Arm, Bronze Powdercoat Finish, Includes Hardware.
PTSB290SZ	Twin Pole Tenon Spoke Bracket, 2 3/4" Horizontal 90° Mounting Arms, Bronze Powdercoat Finish, Includes Hardware.
PTSB2180SZ	Twin Pole Tenon Spoke Bracket, 2 3/4" Horizontal 180° Mounting Arms, Bronze Powdercoat Finish, Includes Hardware.
PTSB390SZ*	Triple Pole Tenon Spoke Bracket, 2 3/4" Horizontal 90° Mounting Arms, Bronze Powdercoat Finish, Includes Hardware.
PTSB3120SZ*	Triple Pole Tenon Spoke Bracket, 2 3/4" Horizontal 120° Mounting Arms, Bronze Powdercoat Finish, Includes Hardware.
PTSB490SZ*	Quad Pole Tenon Spoke Bracket, 2 3/4" Horizontal 90° Mounting Arms, Bronze Powdercoat Finish, Includes Hardware.

Accessories (Order separately, Field installed)

P18140	110-120VAC Instant Twist Lock Photocell
P18142	105-287VAC Instant Twist Lock Photocell
P18150	120VAC Time Delay Twist Lock Photocell
P18152	277VAC Time Delay Twist Lock Photocell
P18131	Twist Lock Non-Shorting (Open) Cap Disconnects Service to Fixture for Temporary or Permanent Disabling (Fixture Always Off). IP65, 480V Maximum.
P18132	Twist Lock Shorting Cap Provides Fixed Service to Fixture (Fixture Always on). IP65, Rated Load 7200w Tungsten.
ACCHSG1Z	Die Cast Accessory Housing for Installing Sensors or Other Lighting Controls, Bronze Powdercoat Finish
KH25GSZ	Aluminum House Side Shield, Bronze Powdercoat Finish, Includes Hardware.

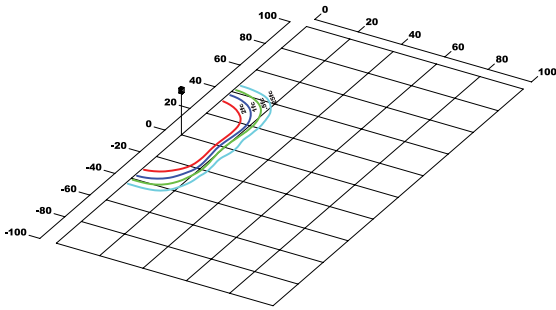
Replacement Parts (Order separately, Field installed)

KH25GL	Tempered Clear Flat Glass Lens.
KH25GLP	Tempered Prismatic Flat Glass Lens.
KH25AZ	Kitty Hawk Die-Cast Mounting Arm, Bronze Powdercoat Finish, Includes Hardware. Mounts Directly to Square Poles.
ALMAAZ	Die-Cast Adaptor for 2 3/4" Horizontal Mounting Arms, Bronze Powdercoat Finish, Includes Hardware.
KH25YZ	Stamped Heavy-Duty Steel Yoke, Bronze Powdercoat Finish, Includes Hardware.
FL73SFXZ	External Mount Die-Cast Adjustable Slipfitter for 2 3/4" Tenons, Bronze Powdercoat Finish, Includes Hardware.
FL73BRZ	Two-Piece Stamped Steel Adjustable Bracket, Bronze Powdercoat Finish, Includes Hardware.
KHEHZ	Die-Cast Easy-Hang Wall Bracket, Bronze Powdercoat Finish, Includes Hardware.

*Special Order Item. Lead Time Three Weeks.

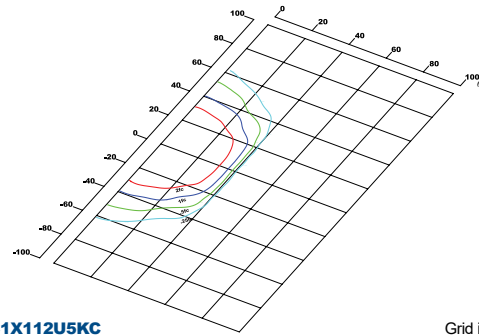


Photometric Data



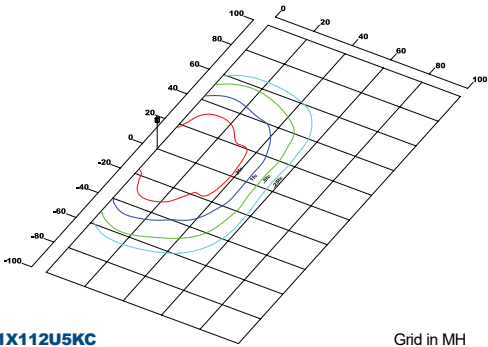
KH25QA1X112U5KC
Type I

Grid in MH
MH=20 Feet



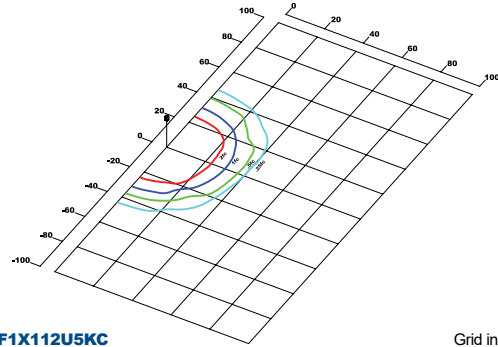
KH25QC1X112U5KC
Type III

Grid in MH
MH=20 Feet



KH25QD1X112U5KC
Type IV

Grid in MH
MH=20 Feet



KH25QF1X112U5KC
Type V

Grid in MH
MH=20 Feet

Photometric Performance

LED Board Watts	Drive Current (mA)	Input Watts	Optics	5000 CCT 80 CRI				4000 CCT 80 CRI					
				Lumens	LPW	B	U	G	Lumens	LPW	B	U	G
EasyLED 81w	525	87	Type I	10,099	120	3	0	1	9,417	112	3	0	1
			Type II	9,634	114	2	0	2	8,984	107	2	0	1
			Type III	10,583	126	2	0	2	9,869	117	2	0	2
			Type IV	9,940	118	1	1	2	9,269	110	1	1	2
			Type V	10,095	120	3	0	1	9,414	112	3	0	1
EasyLED 112w	525	120	Type I	14,629	121	3	0	2	13,641	113	3	0	2
			Type II	13,955	115	2	0	2	13,013	108	2	0	2
			Type III	15,331	127	3	0	3	14,296	118	3	0	3
			Type IV	13,499	112	2	1	3	12,588	104	2	1	2
			Type V	14,624	121	3	0	1	13,637	113	3	0	1

Projected Lumen Maintenance

Data shown for 5000 CCT			Compare to MH				
TM-21-11	Input Watts	Initial	25,000 Hrs	50,000 Hrs	100,000 Hrs	Calculated L70@ 25°C	
L70 Lumen Maintenance @ 25°C / 77°F	87	1.00	0.98	0.97	0.93	429,000	
L70 Lumen Maintenance @ 25°C / 77°F	120	1.00	0.98	0.95	0.91	320,000	
TM-21-11	Input Watts	Initial	25,000 Hrs	50,000 Hrs	100,000 Hrs	Calculated L70@ 50°C	
L70 Lumen Maintenance @ 50°C / 122°F	87	1.00	0.97	0.94	0.88	259,000	
L70 Lumen Maintenance @ 50°C / 122°F	120	1.00	0.95	0.89	0.79	141,000	
TM-21-11	Input Watts	Initial	25,000 Hrs	50,000 Hrs	100,000 Hrs	Calculated L80@ 40°C	
L80 Lumen Maintenance @ 40°C / 104°F	87	1.00	0.97	0.95	0.90	195,000	
L80 Lumen Maintenance @ 40°C / 104°F	120	1.00	0.96	0.93	0.85	134,000	

NOTES:

1. Projected per IESNA TM-21-11. Data references the extrapolated performance projections for the 525mA base model in a 25°C ambient, based on 10,000 hours of LED testing per IESNA LM-80-08.
2. Compare to MH box indicates suggested Light Loss Factor (LLF) to be used when comparing to Metal Halide (MH) systems.