

Induction Light Series

Thermalux Low Bay



LB421
Shown with
Optional Refractor

Housing:

Die Cast Aluminum Housing with External Heat Sinks for Cooler Operating Temperatures for Induction Ballasts, White Powdercoat Finish Over a Chromate Conversion Coating.

Reflector:

22" Prismatic Acrylic Refractor, Spun Aluminum Reflector, Faceted Aluminum Reflector, Low-Profile Aluminum Reflector or 26" High Performance Aluminum Reflector. (Sold Separately; Required)

Lens:

Clear Flat Glass Lens, Acrylic Drop or Conical Lenses; Glass Lens Cannot Be Used with Acrylic Refractors. (Sold Separately).

Mounting:

Mount with Included Malleable Hook

Wattage:

Induction: 100, 120, 150, 200, 250 or 300w, 5000K (Enclosed Lenses Cannot be Used With 250 or 300w Models.)

Listing & Ratings:

CSA: Listed for Dry Locations

Options:

2.5KV Surge Protection

Custom Colors Available Upon Request.

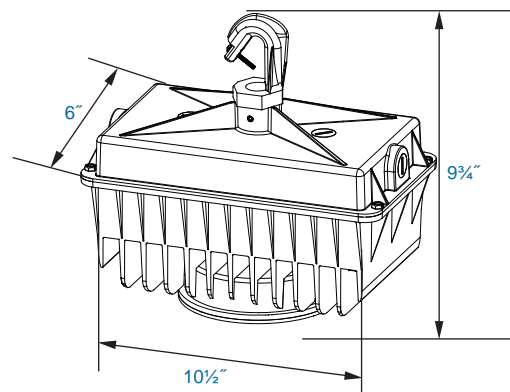
Complete Units (Includes Lamp & Ballast)				
Catalog #	Wattage	Voltage	Lamp	Ballast
LB421100U5K*-	100	120-277	Induction	Electronic
LB421120U5K*-	120	120-277	Induction	Electronic
LB421150U5K*-	150	120-277	Induction	Electronic
LB421200U5K*-	200	120-277	Induction	Electronic
LB421250U5K*-	250	120-277	Induction	Electronic
LB4213002775K*-	300	277	Induction	Electronic

*Specify Optics: C22=Acrylic Refractor, R22=Spun Aluminum Reflector, F22=Faceted Aluminum Reflector, AR2=High Performance Aluminum Reflector, I22=Low-Profile Aluminum Reflector

- Add SP for Surge Protection

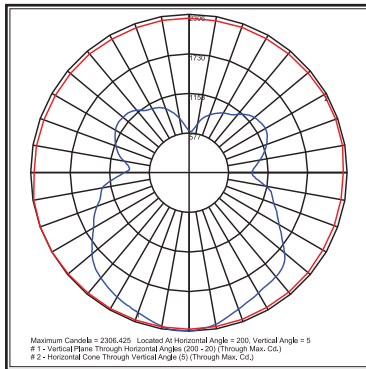
KELSEY-KANE LIGHTING MFG. CO.
Voice & Text: 954-772-3187
E-Mail: info@kelsey-kane.com
Website: www.kelsey-kane.com

DIMENSIONS

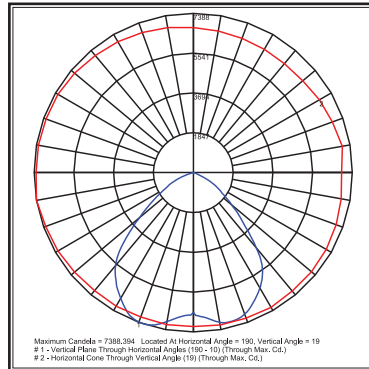


LB421

Catalog #	Description
HBACR22	22" LexaLite Clear Prismatic Acrylic Refractor for Applications Where High Vertical Illumination is Desired.
HB11AR22*	22" Reflector
*White Reflectors - Add W to end of above part numbers.	
HBARF22	22" Faceted Reflector
HBARF22GL	22" Hinged Glass Lens for HBARF22
HBARF22WG	Wire Guard for 22" Faceted Reflector
HBAR22WG	Wire Guard for 22" Aluminum and 22" Aluminum Low-Profile Reflectors
HBARI22	Low-Profile Anodized Spun Aluminum Reflector, Accepts Up to 300w Round Induction Lamps, 10.5"H x 22" Dia.
SP50AR2	26" High Performance Aluminum Reflector
HBDL22	22" LexaLite Clear Prismatic Acrylic Drop Lens for Low and Medium Bay Applications. UV Stabilized, High-Efficiency Operation in General Applications. (Cannot be used with 250 or 300w Models.)
HBCL22	22" LexaLite Clear Prismatic Acrylic Conical Lens for Low and Medium Bay Applications. Lifts the Main Beam and Breaks up the Lamp Image. (Cannot be used with 250 or 300w Models.)
HBGL22	22" Flat Glass. (Glass Lens Cannot Be Used with Acrylic Refractors.)
HBCB22	22" Clampband
HB11CO22	Collar for 22" Acrylic Refractors, White
CPMH1	Malleable Hook with 3/4" NPS Threads
CPSP#	Swivel Pendant Mount for Angled or Straight Ceilings, Fits 3/4" Conduit, Includes Reducer Bushing (to ") & Set Screw
#Specify Mount: R=Round Swivel Mount, S=Square Swivel Mount	
CPCS1633	Cord Set, Blunt Cut, 3', 16/3 600V STW Cord
CPCS1633P110	Cord Set, 3-Prong Polarized, 3' Cord
CPCS1633P120	Cord Set 120v Twist-Lock L5-15P Plug, 3' Cord
CPCS1633P240	Cord Set 240v Twist-Lock L6-15P Plug, 3' Cord
CPCS1633P277	Cord Set 277v Twist-Lock L7-15P Plug, 3' Cord



LB42I200C22



LB42I200R22

Induction Light Series

Thermalux Low Bay



HBACR22



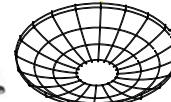
HB11AR22



White Reflector



HBARF22 & HBARF22GL



HBARF22WG



HBAR22WG



HBARI22



SP50AR2



HBDL22



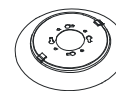
HBCL22



HBGL22



HBCB22



HB11CO22



CPMH1



CPSPR



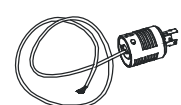
CPSPS



CPCS1633



CPCS1633P110



CPCS1633P120



CPCS1633P240



CPCS1633P277

KELSEY-KANE LIGHTING MFG. CO.
 Voice & Text: 954-772-3187
 E-Mail: info@kelsey-kane.com
 Website: www.kelsey-kane.com