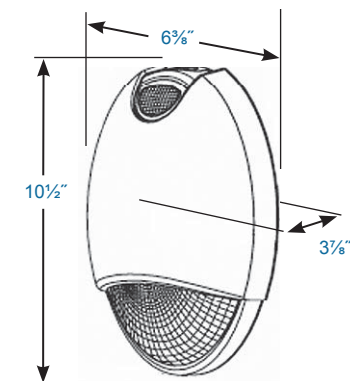


Catalog #	Housing	Wattage	Voltage
EEM3LEDW	White	3	120/277V
EEM3LEDK	Black	3	120/277V
EEM3LEDZ	Bronze	3	120/277V



EEM3LED

Emergency/Exit Lighting

**Decorative Outdoor LED
Wallpack and Emergency Unit**



**EEM3LEDZ, EEM3LEDW,
EEM3LEDK**

Illumination:

- Long-Life, Efficient Ultra-Bright White LED.
- Mirror-Bright Reflector and Prismatic Polycarbonate Refractor.

Electrical:

- Dual 120/277 Voltage.
- Charge Rate/Power "ON" LED Indicator Light and Push-to-Test Switch for Mandated Code Compliance Testing.
- Long-Life, Maintenance-Free, Rechargeable NiCd Battery.
- Internal Solid-State Transfer Switch Automatically Connects the Internal Battery to LED Lamp Heads for Minimum 90-minute Emergency Illumination.
- Fully Automatic Solid-State, Two-Rate Charger Initiates Battery Charging to Recharge a Discharged Battery in 24 hours.
- Self-Diagnostic Test Feature Continually Diagnoses Units Performance and Tests System to Ensure Reliable Operation and to Meet Electrical and Life Safety Codes.

Mounting:

- Surface Mount Via Easy Connect Back Plate That Fits Most Standard Size Junction Boxes.
- Conduit Mount Via Rigid Conduit Entry Provision on Top of the Unit.

Housing:

- Decorative, Low-Profile, Architectural Design.
- Die-Cast Aluminum Housing.
- Durable Powdercoated Finishes in White, Black and Dark Bronze.
- Sealed and Gasketed.

Warranty/Listing:

- Five Year Warranty on All Electronics and Housing. Battery Pro-Rated for Five Years.
- Meets UL924, NFPA 101 Life Safety Code, NEC, OSHA, Local and State Codes.
- UL Listed for Wet Locations.

KELSEY-KANE LIGHTING MFG. CO.
Voice & Text: 954-772-3187
E-Mail: info@kelsey-kane.com
Website: www.kelsey-kane.com