

## LED Series

### Up or Down Turbine LED Wall Cylinder



**WCTRS**

**Housing:**

Extruded Round Aluminum Housing with Built-in Heat Sinks, Powdercoat Finish Over a Chromate Conversion Coating.

**Reflector:**

White Reflector

**Lens:**

Clear Flat Glass Lens

**Mounting:**

Mount Over a 4" Recessed Outlet Box

**Distribution:**

Type VS

**LED:**

QSSI Cool Copper COB

Delivered Lumens: 1,783 (B Optics)

CRI: 80+

CCT: 4100K

Rated Life: 50,000 Hours

5-Year Warranty

**Wattage:**

COB: 20w

**Driver:**

Electronic Driver, 120-277V, 50/60Hz

Dimmable Driver

**Listings & Ratings:**

CSA: Listed for Wet Locations

IP67

**Options:**

Surge Protection

### Up or Down Turbine LED Wall Cylinder

Catalog #

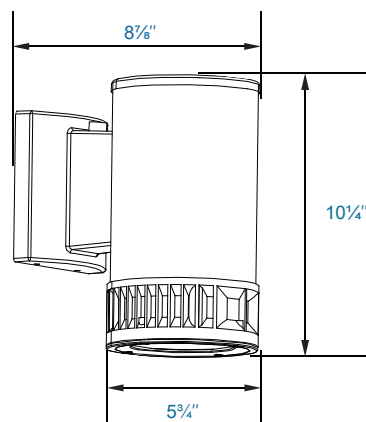
Description

**Complete Units**

**Ordering Information**

Example: WCTRSBC31X20U41KZSP

WCTRS	Model:	WCTRS
B	Optics:	A=70° Reflector, B=100° Reflector
C3	LED:	C3=QSSI COB
1X	Number of COBs:	1X=One
20	Wattage:	20=20w
U	Ballast:	U=120-277V
41K	CCT:	41K=4100K
Z	Color:	Z=Bronze, B=Black
SP	Options:	SF=Single Fuse, DF=Double Fuse, SP=Surge Protection



**WCTRS**

**DIMENSIONS**

**KELSEY-KANE LIGHTING MFG. CO.**

Voice & Text: 954-772-3187

E-Mail: [info@kelsey-kane.com](mailto:info@kelsey-kane.com)

Website: [www.kelsey-kane.com](http://www.kelsey-kane.com)

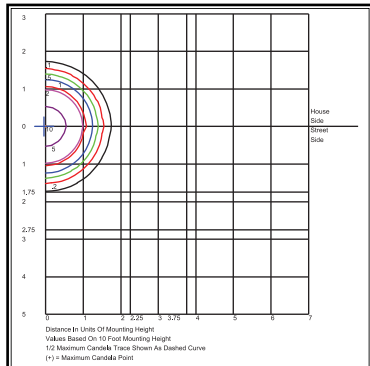
Catalog #	Description
PC1	120V Button Photocell

**LED Series**

**Up or Down Turbine LED  
Wall Cylinder**



PC1



WCTRSBC31X20U41K

**KELSEY-KANE LIGHTING MFG. CO.**  
**Voice & Text: 954-772-3187**  
**E-Mail: [info@kelsey-kane.com](mailto:info@kelsey-kane.com)**  
**Website: [www.kelsey-kane.com](http://www.kelsey-kane.com)**