

Lighting Poles

Decorative Pole Series



PARF416ABB

Description:

- 4" O.D. x .120 (11 Gauge) Fluted Aluminum Extruded Poles in Direct Burial or Anchor Base Styles.
- Gasketed Hand Hole Cover with Stainless Steel Bolt.
- Black Powdercoat Finish.
- Includes Removable 3" Aluminum Reducing Tenon with Black Powdercoat Finish and Stainless Steel Hardware.
- Optional Square Formed and Riveted Aluminum Base Cover and Decorative Two-Piece Wrap-Around Cast Aluminum Bases Sold Separately.

Anchor Base Pole:

- 2.25" Diameter Hand Hole is 18" Above Grade.
- 8" Square Welded Cast Aluminum Base Plate.
- 8" Bolt Circle.
- Set of Four 5/8" x 18" Anchor Bolts (J-bolts) and Template Included.

Direct Burial Pole:

- 2.25" Diameter Hand Hole is 90" From Bottom of Direct Burial Pole.

Poles Can Be Cut to Custom Lengths.

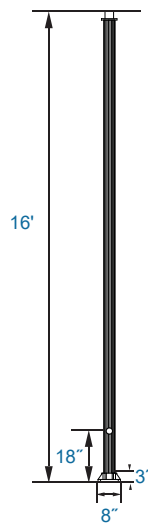
Complete Units	
Catalog #	Description
PARF416ABB	16' Anchor Base Pole
PARF422DBB	22' Direct Burial Pole

Max Fixture EPA (MPH), C Exposure, Mounting Height (MH) in Feet			
	12 Feet	14 Feet	16 Feet
120C	10.95	8.61	6.64
130C	9.06	7.02	5.31
140C	7.58	5.78	4.27
150C	6.37	4.76	3.41
160C	5.38	3.93	2.7
170C	4.57	3.25	2.14
180C	3.88	2.67	1.64
200C	0.65	0	0

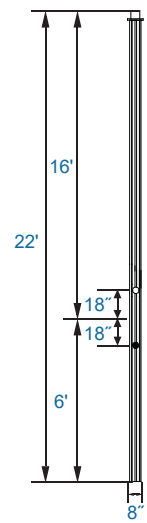
EPAs ARE APPROXIMATE, SPECIFIC TO LOCATION AND LOCAL CODES. CONSULT ENGINEER FOR SPECIFIC APPLICATION

KELSEY-KANE LIGHTING MFG. CO.
 Voice & Text: 954-772-3187
 E-Mail: info@kelsey-kane.com
 Website: www.kelsey-kane.com

DIMENSIONS



PARF416ABB



PARF422DBB

Lighting Poles

Decorative Pole Series

Catalog #	Description
PARF4BCB	Square Formed Two-Piece Aluminum Base Cover for 4" Diameter Poles, Black Powdercoat Finish, Includes Stainless Steel Hardware. 10 $\frac{3}{4}$ " x 11" x 4" High.
PB24A4B	Two-Piece Decorative Wrap-Around Die Cast Aluminum Base, 24" High x 12" Diameter, Black Powdercoat Finish, Includes Stainless Steel Hardware.
PADAB	Dual Head Decorative Pole Arm, Aluminum with Black Powdercoat Finish, Fits 3" Tenon, Includes Stainless Steel Hardware. Accepts 3" Diameter Fitters. 13" High x 43" Overall Width.
PWASAB	Single Decorative Wall Mount Bracket, Aluminum with Black Powdercoat Finish, Includes Stainless Steel Hardware. Accepts 3" Diameter Fitters. 10" High x 15" Overall Length.



PARF4BCB



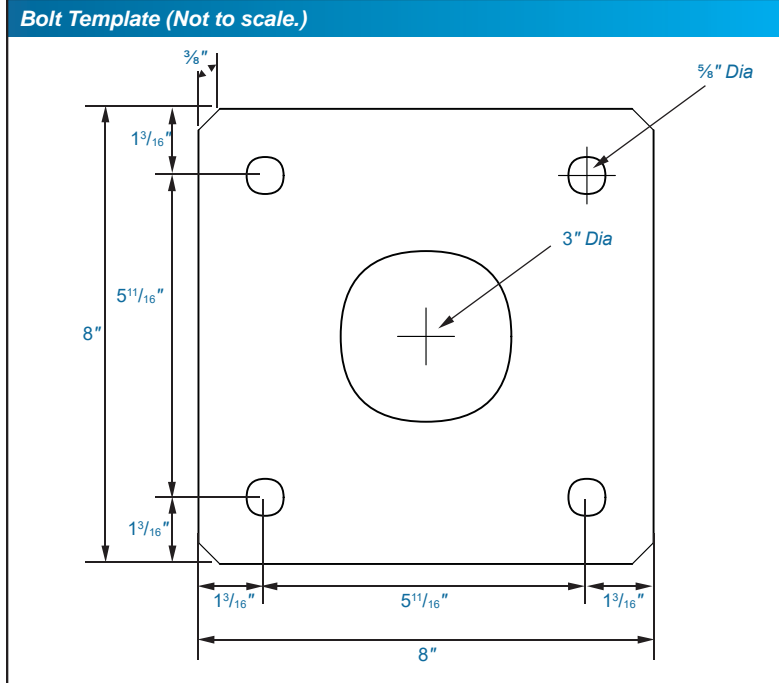
PB24A4B



PADAB



PWASAB



KELSEY-KANE LIGHTING MFG. CO.
 Voice & Text: 954-772-3187
 E-Mail: info@kelsey-kane.com
 Website: www.kelsey-kane.com