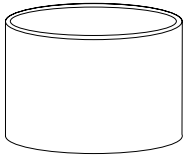




PARF

4" Decorative Aluminum Poles



4" Round



3" Tenon



PARF416AB: 16 Feet
PARF422DB: 22 Feet

The LEPG PARF Decorative Round Aluminum poles are built from extruded fluted 11 Gauge aluminum tubing and are offered as direct burial or with a high-strength die cast aluminum base. A pole top plate with a 3" vertical tenon is provided. Typical area lighting applications include retail centers, industrial parks, schools and universities, parks and pedestrian pathways and gathering spaces. Mounting heights to 16 feet can be used based on selected luminaire application.

Specifications and Features:

Pole Specifications:

The Pole Shaft is One-Piece Extruded Fluted .120 (11 Gauge) Aluminum with a 4" O.D. in Direct Burial and Anchor Base Styles. The Anchor Base is Die Cast Aluminum Welded to the Shaft.

Finish:

Textured Architectural Black Powdercoat Finish, Baked to Ensure Maximum Paint Adhesion, Hardness and Durability.

Anchor Bolts:

Set of Four 5/8" x 18" Anchor Bolts are Included.

Hand Hole:

2 1/4" Diameter Hand Hole with Gasketed Cover with Stainless Steel Bolt.

Base Cover

Optional Square Formed and Riveted Aluminum Cover or Decorative Two-Piece Wrap-Around Cast Aluminum Base Available (Sold Separately)

Mounting:

Includes Removable 3" Aluminum Reducing Tenon with Black Powdercoat Finish and Stainless Steel Hardware.

Order Information Example:

PARF422DBBLAB

PARF		B	
Model	Shaft/Height/Style	Color	Options

PARF=Fluted Aluminum Extruded Pole

416AB=16' Anchor Base Pole
422DB=22' Direct Burial Pole

B=Black

(Leave Blank)=No Options
LAB=Less Anchor Bolts (2)

Project Information:

Project Name: _____ Fixture Type: _____

Complete Catalog #: _____ Date: _____

Comments: _____

Notes:

1. All poles include anchor bolts standard.
2. Poles can be cut to custom lengths. Consult factory.

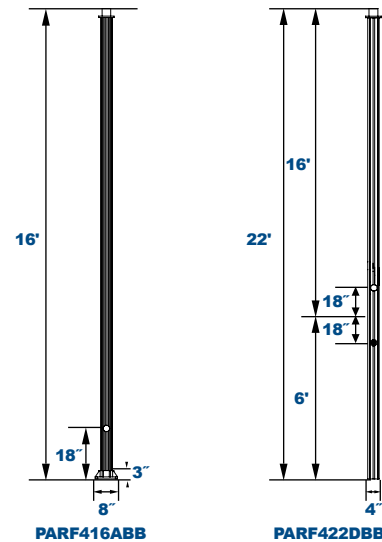
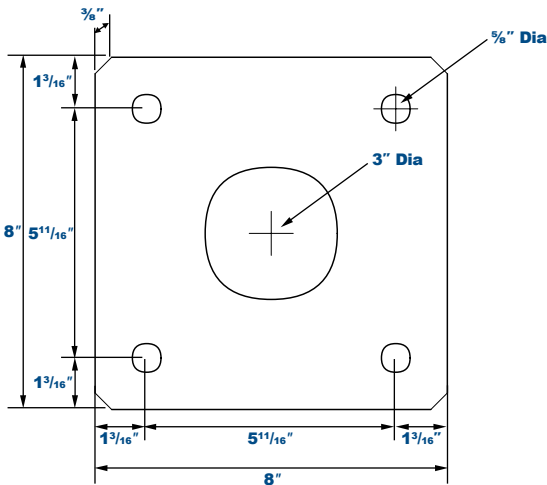


Wind Loading and Dimensional Data:

Pole Description	120 MPH	130 MPH	140 MPH	150 MPH	160 MPH	170 MPH	180 MPH	200 MPH	
Shaft Size & Wall Thickness	Mounting Height	Max EPA (SQ FT)	Max EPA (SQ FT)	Max EPA (SQ FT)	Max EPA (SQ FT)	Max EPA (SQ FT)	Max EPA (SQ FT)	Max EPA (SQ FT)	Max EPA (SQ FT)
PARF	12'	10.95	9.06	7.58	6.37	5.38	4.57	3.88	0.65
	14'	8.61	7.02	5.78	4.76	3.93	3.25	2.67	0
	16'	6.64	5.31	4.27	3.41	2.70	2.14	1.64	0

- NOTES:**
1. Maximum EPA (Effective Projected Area) based on "C" Exposure.
 2. EPAs are approximate, specific to location and local codes. Consult engineer for specific application.
 3. Consult factory on loading criteria for pole top mounted luminaires and/or brackets.
 4. Variations from sizes above are available upon inquiry at the factory.
 5. Satisfactory performance of poles is dependent upon the pole being properly attached to a supporting foundation of adequate design.

Pole Data:



Shaft Base Size	Bolt Circle A	Base Size B	Base Thickness C	Anchor Bolt Size
PARF4	8" (203mm)	8" (203mm)	3/4" (19mm)	5/8" x 18"

4" Decorative Aluminum Pole Mounting Options (Order separately, field installed.)

Dual Mounting Arm: Black Finish, Accepts 3" Diameter Fitters, Fits 3" Tenon

Wall Mounting Bracket: Black Finish, Accepts 3" Diameter Fitters



Bases:



Replacement Parts (Order separately, Field installed)

PARF4BCB	Square Cover for 4" Pole, Black Finish
PB24A4B	Two-Piece Base for 4" Pole, Black Finish