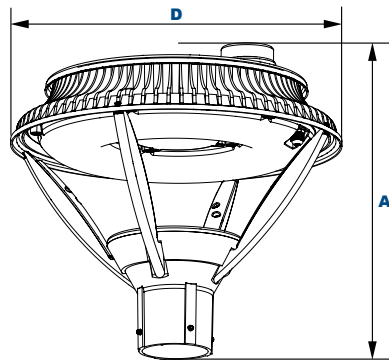




**PF70Q** **L70** **473,000 Hours**  
 25°C  
**AmberLED Reveal Open Small Round Post Top**



**Dimensions**

|                     |                 |
|---------------------|-----------------|
| <b>Diameter (D)</b> | 16 1/4" (411mm) |
| <b>Height (A)</b>   | 14 1/4" (378mm) |

The PF70Q AmberLED Reveal Architectural Open Small Round Post Top is available in a Type V distribution designed to replace HID lighting systems up to 250w MH or HPS for wildlife or security applications requiring monochromatic AMBER light. LEDs operate between 585 and 595 nm, greater than 560nm required for wildlife protection. The fixture mounts to a pole top tenon. Typical area lighting applications include parking areas, walkways, and street lighting applications. Mounting heights of 12 to 20 feet can be used based on light level and uniformity requirements.

**Specifications and Features:**

**Housing:**

Die Cast Aluminum Housing, Integral Heat Sinking, Photocell Adaptable.

**Listing & Ratings:**

CSA: Listed for Wet Locations, ANSI/UL 1598, 8750; IP66 Sealed LED Compartment.

**Finish:**

Black Powdercoat Finish Over a Chromate Conversion Coating. Custom Colors Available Upon Request.

**Lens:**

Clear Polycarbonate Vandal-Resistant Array Lens to Seal LED Array

**Mounting Options:**

Accommodates "P3" 2 1/4" O.D. x 3" Tenons

**AmberLED:**

Aluminum Boards

**Wattage:**

78w Array: 77.6w, System: 82w; (150-250w HID Equivalent.)

**Driver:**

Electronic Driver, 120-277V, 50/60Hz; Less Than 20% THD and PF>0.90. Standard Internal Surge Protection 6kV. 0-10V Dimming Standard for a Dimming Range of 100% to 10%; Dimming Source Current is 150 Microamps.

**Controls:**

Fixtures Ordered with Factory-Installed Photocell or Motion Sensor Controls are Internally Wired for Switching and/or 1-10V Dimming Within the Housing. Remote Direct Wired Interface of 1-10V Dimming is Not Implied and May Not Be Available, Please Consult Factory. Fixtures are Tested with LEPG Controls and May Not Function Properly With Controls Supplied By Others. Fixtures are NOT Designed for Use with Line Voltage Dimmers.

**Warranty:**

5-Year Warranty for -40°C to +50°C Environment.

See Page 2 for Projected Lumen Maintenance Table.

**AmberLED**

**Order Information Example:**

PF70QF1X78UAMCBSP

| PF70Q  | F        | 1X78     | U          | AM       | C                                |                                       |   |
|--|----------|----------|------------|----------|----------------------------------|---------------------------------------|---|
| Model  | Optics   | Wattage  | Driver     | CCT      | Lens                             | Color                                 | Options   |
| PF70Q= AmberLED Reveal Open Small Round Post Top | F=Type V | 1X78=78w | U=120-277V | AM=Amber | C=Clear Polycarbonate Array Lens | B=Black<br>C=Custom (Consult Factory) | SF=Single Fuse<br>DF=Double Fuse<br>SP=Surge Protection<br>S2=Microwave Sensor with Dimming for Mounting Heights of 8 to 40'. (120-277V Only)<br>R3=3-Pin Twist Lock Photocell Receptacle<br>R5=5-Pin Twist Lock Photocell Receptacle<br>R7=7-Pin ANSI C136.41—2013 Twist Lock Photocell Receptacle |

**Project Information:**

Project Name: \_\_\_\_\_ Fixture Type: \_\_\_\_\_  
 Complete Catalog #: \_\_\_\_\_ Date: \_\_\_\_\_  
 Comments: \_\_\_\_\_

**Certification & Listings:**





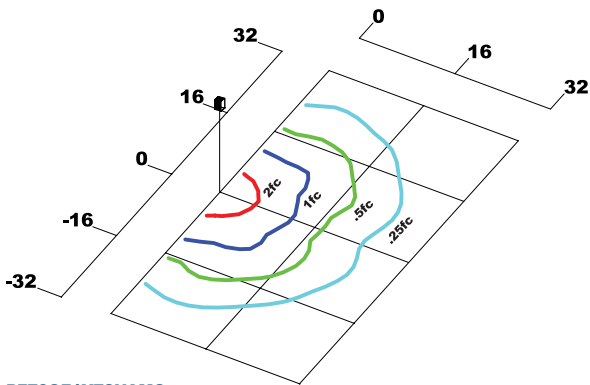
**Accessories & Replacement Parts:**



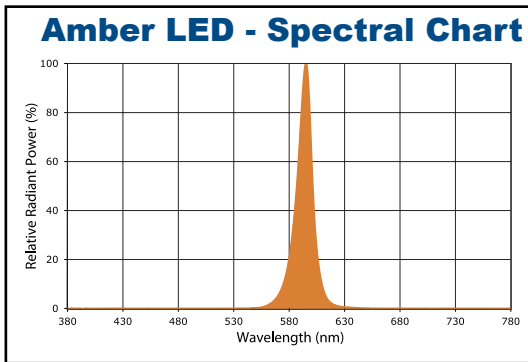
| Accessories<br>(Order Separately, Field Installed) |  |
|--|--|
| P18131   | Twist Lock Non-Shorting (Open) Cap Disconnects Service to Fixture for Temporary or Permanent Disabling (Fixture Always Off). IP65, 480V Maximum. |
| P18132   | Twist Lock Shorting Cap Provides Fixed Service to Fixture (Fixture Always on). IP65, Rated Load 7200w Tungsten.                                  |
| P18140   | 110-120VAC Instant Twist Lock Photocell  |
| P18142   | 105-287VAC Instant Twist Lock Photocell  |
| P18150   | 120VAC Time Delay Twist Lock Photocell   |
| P18152   | 277VAC Time Delay Twist Lock Photocell   |
| P18156   | 120-277VAC Universal Twist Lock Photocell  |
| P18157   | 480VAC Time Delay Twist Lock Photocell. For 480V use only.   |

| Replacement Parts<br>(Order Separately, Field Installed) |  |
|--|--|
| P17117   | Internal Microwave Sensor with Dimming for Mounting Heights of 8 to 40'. 120-277VAC, 50/60Hz |

**Photometric Data**



**PF70QF1X78UAMC**  
 Type V  
 Grid in MH  
 MH=16 Feet



**EPA (Effective Projected Area)**

| EPA (Sq. Ft.) | Weight (Lbs.) |
|---------------|---------------|
| 0.48          | 14 Lbs        |

**Photometric Performance**

| LED Board Watts | Drive Current (mA) | Input Watts | Optics       | Amber LEDs |     |   |   |   |
|-----------------|--------------------|-------------|--------------|------------|-----|---|---|---|
|                 |                    |             |              | Lumens     | LPW | B | U | G |
| AmberLED 78w    | 525                | 82          | Type V Clear | 2,074      | 25  | 1 | 1 | 0 |

**Projected Lumen Maintenance**

| Data shown for Amber LEDs                   |             |         | Compare to MH |            |             |                      |
|---|-------------|---------|---------------|------------|-------------|----------------------|
| TM-21-11                                    | Input Watts | Initial | 25,000 Hrs    | 50,000 Hrs | 100,000 Hrs | Calculated L70@ 25°C |
| <b>L70 Lumen Maintenance @ 25°C / 77°F</b>  | 82          | 1.00    | 0.98          | 0.97       | 0.94        | 473,000              |
| TM-21-11                                    | Input Watts | Initial | 25,000 Hrs    | 50,000 Hrs | 100,000 Hrs | Calculated L70@ 50°C |
| <b>L70 Lumen Maintenance @ 50°C / 122°F</b> | 82          | 1.00    | 0.97          | 0.95       | 0.90        | 290,000              |
| TM-21-11                                    | Input Watts | Initial | 25,000 Hrs    | 50,000 Hrs | 100,000 Hrs | Calculated L80@ 40°C |
| <b>L80 Lumen Maintenance @ 40°C / 104°F</b> | 82          | 1.00    | 0.98          | 0.95       | 0.91        | 220,000              |

NOTES:  
 1. Projected per IESNA TM-21-11. Data references the extrapolated performance projections for the 525mA base model in a 25°C ambient, based on 10,000 hours of LED testing per IESNA LM-80-08.  
 2. Compare to MH box indicates suggested Light Loss Factor (LLF) to be used when comparing to Metal Halide (MH) systems.