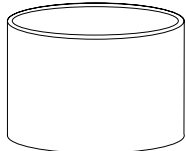


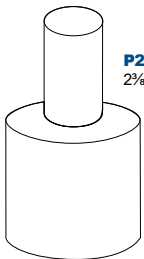


PSRA

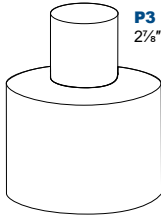
Straight Round Aluminum Poles, 4", 5"



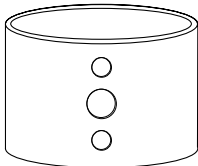
4" and 5" Round



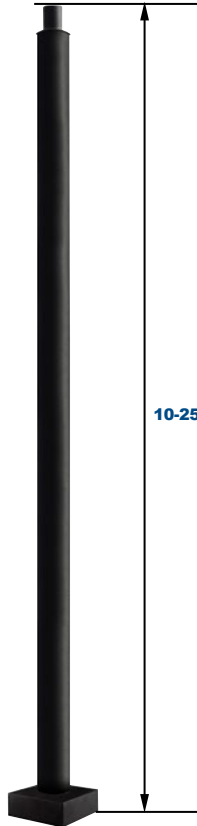
P2
2 3/8" x 4" Tenon



P3
2 1/8" x 3" Tenon



Side Drills:
1 Side, 2 at 180°, 3 at 90°, 4 at 90°



10-25 Feet

The PSRA Series Straight Round Aluminum poles are built from extruded aluminum tube with high-strength die cast aluminum base and are available side drilled for arm mounted area lighting luminaires or with tenon mounts for flood and post top luminaires. Typical area lighting applications include retail centers, industrial parks, schools and universities, public transit and airports, office buildings and medical facilities. Mounting heights of 10 to 25 feet can be used based on selected luminaire application.

Specifications and Features:

Pole Specifications:

The Pole Shaft is of Uniform Wall Thickness and is One-Piece Extruded 6063 Aluminum Alloy With T6 Temper. Available in 4" and 5" Diameters. Anchor Base is Die Cast From 356 Alloy Aluminum and is Heat Treated to a T6 Temper After Welding. Wall Thickness: 5mm (.196").

Finish:

Textured Architectural Black Powdercoat Finish, Baked to Ensure Maximum Paint Adhesion, Hardness and Durability.

Anchor Bolts:

Anchor Bolts are Included, Sized Based on Pole Data Charts for the Selected Pole Size.

Hand Hole:

Die Cast Aluminum Reinforced Hand Hole and Cover with Ground Screw.

Base Cover

Poles are Provided with a Two-Piece Formed Aluminum Base Cover that is Easily Assembled and Fitted Over Pole Base.

Pole Length:

Poles are Available in Standard Lengths as Shown in the Order Matrix. Poles can be Custom Cut to Order. Consult Factory.

Mounting Options:

Available Side Drilled for 1 side, 2@180 Degrees, 3@90 Degrees or 4@90 Degrees, Includes UV-Stabilized Polycarbonate Top Cover (4" Only).

Poles May Also Be Ordered With 2 3/8" OD or 2 1/8" OD Tenons for Use With Post Top Decorative Luminaires, Flood/Area Slip Fitter Fixtures, or Any of a Wide Variety of Pole Top Mounting Accessories.

Order Information Example:

PSRA2555BP3LBC

PSRA	Height/Shaft/Gauge (Pick one)		B	Pole Top Mounting	Drill Template	Options
Model	4" Round 5mm Wall	5" Round 5mm Wall	Color			
PSRA=Straight Round Aluminum Pole	2045=20'	2555=25'	B=Black	D=Drilled for Tenon (Tenon Not Included) D1=Drilled 1 Side D2=Drilled 2 Sides at 180 D3=Drilled 3 Sides at 90 D4=Drilled 4 Sides P2=2 3/8" x 4"H Tenon P3=2 1/8" x 3"H Tenon	(Leave Blank)=Poles with P2 or P3 Tenon S=Standard Arm/Accessories D=Kitty Hawk Arm KH25, KH20 E=Kitty Hawk Arm KH45 C=Custom (Specify)	(Leave Blank)=No Options LAB=Less Anchor Bolts (2) LBC=Less Base Cover (3)

Project Information:

Project Name: _____ Fixture Type: _____

Complete Catalog #: _____ Date: _____

Comments: _____

Notes:

- Side Drilled poles include UV-stabilized polycarbonate pole cap.
- All poles include anchor bolts standard, consult dimension table for size based on pole dimensions.
- All poles include square 2-piece black base cover.

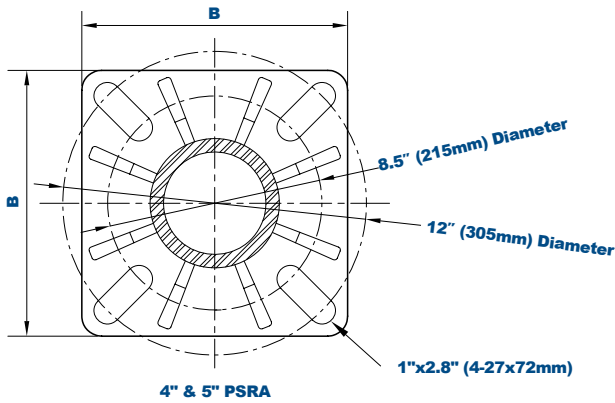


Wind Loading and Dimensional Data:

Pole Description		80 MPH		90 MPH		100 MPH		110 MPH		120 MPH		130 MPH		140 MPH		150 MPH		Structure Weight (LBS)
Shaft Size & Wall Thickness	Mounting Height	Max EPA (SQ FT)	Max Weight (LBS)	Max EPA (SQ FT)	Max Weight (LBS)	Max EPA (SQ FT)	Max Weight (LBS)	Max EPA (SQ FT)	Max Weight (LBS)	Max EPA (SQ FT)	Max Weight (LBS)	Max EPA (SQ FT)	Max Weight (LBS)	Max EPA (SQ FT)	Max Weight (LBS)	Max EPA (SQ FT)	Max Weight (LBS)	
4" Round, 5mm Wall	10' - 0"	16.3	175	12.0	100	9.4	100	7.6	100	6.3	100	5.3	100	4.5	100	3.9	100	43
	12' - 0"	12.1	185	9.6	100	7.4	100	5.9	100	4.9	100	4.1	100	3.5	100	2.9	100	52
	14' - 0"	9.7	190	7.7	100	5.8	100	4.6	100	3.7	100	3.1	100	2.6	100	2.2	100	60
	16' - 0"	7.5	155	6.0	100	4.4	100	3.3	100	2.7	100	2.2	100	1.8	100	1.5	100	69
	18' - 0"	5.7	125	4.6	100	3.1	100	2.3	100	1.8	100	1.4	100	1.1	100	0.9	100	78
	20' - 0"	4.3	95	3.3	100	2.1	100	1.4	100	1.0	100	0.7	100	0.5	100	-	-	86
5" Round, 5mm Wall	16' - 0"	10.1	200	8.6	100	6.6	100	5.3	100	4.4	100	3.6	100	3.0	100	2.5	100	72
	18' - 0"	8.0	255	6.8	100	5.1	100	4.1	100	3.3	100	2.7	100	2.2	100	1.8	100	81
	20' - 0"	6.4	150	5.2	100	3.8	100	3.0	100	2.3	100	1.9	100	1.5	100	1.2	100	90
	25' - 0"	4.0	200	3.4	100	2.4	100	1.7	100	1.2	100	0.8	100	0.6	100	-	-	112

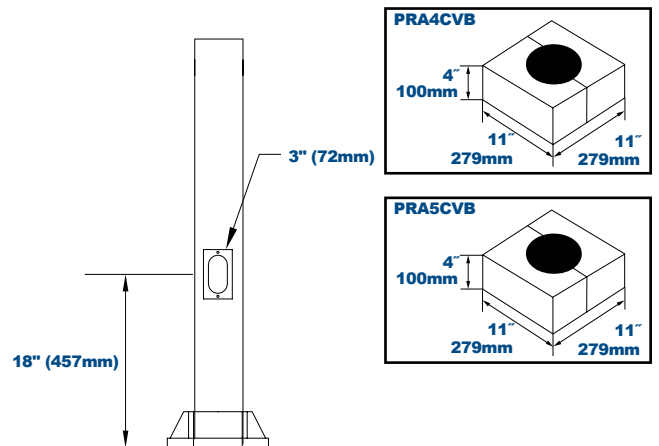
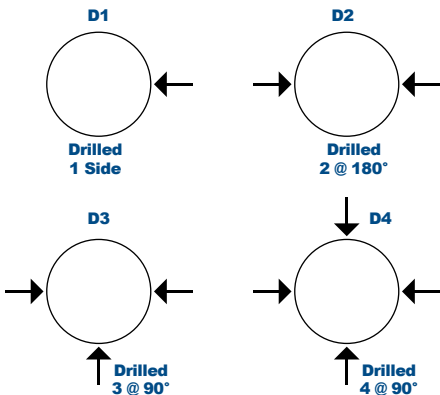
- NOTES:**
1. Maximum EPA (Effective Projected Area) and weight values are based on AASHTO 2013 (90-150MPH) and AASHTO 2008 (80MPH).
 2. Consult factory on loading criteria for pole top mounted luminaires and/or brackets.
 3. Variations from sizes above are available upon inquiry at the factory.
 4. Satisfactory performance of poles is dependent upon the pole being properly attached to a supporting foundation of adequate design.
 5. Structure weight is a nominal value which includes the pole shaft and base plate only.

Pole Data:



Shaft Base Size	Bolt Circle A	Base Size B	Base Thickness C	Bolt Projection	Anchor Bolt Size
4" PSRA	8.5"-12" (215-305mm)	10.5" (267mm)	1"	4"	M20 x 27 1/2"
5" PSRA	8.5"-12" (215-305mm)	10.5" (267mm)	1"	4"	M20 x 27 1/2"

Pole Top Mounting:





4" and 5" Straight Round Aluminum Pole Mounting Options

Order separately, field installed.

Spoke Brackets:

Bronze Finish, Spoke Bracket have 6 1/2" Arms. Fit 2 3/8" (P2) Tenons.



Single Spoke Bracket
PTSB1SZ



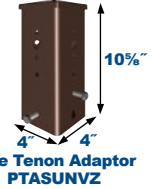
Twin Spoke Bracket,
90° Arms
PTSB290SZ



Twin Spoke Bracket,
180° Arms
PTSB2180SZ



Triple Spoke Bracket,
90° Arms
PTSB390SZ*



Pole Tenon Adaptor
PTASUNVZ



Triple Spoke Bracket,
120° Arms
PTSB3120SZ*

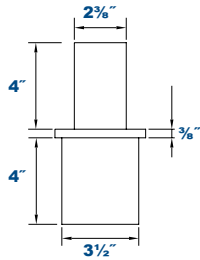


Quad Spoke Bracket,
90° Arms
PTSB490SZ*

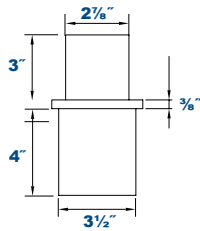
*Non-stock item. Consult factory for lead time.

4" & 5" Vertical Tenon Pole Top Fitters:

Black Finish

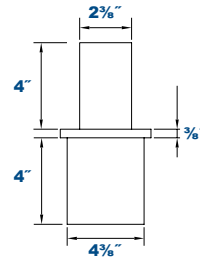


2 3/8" Single Round
Vertical Tenon (P2)
PSRA42B

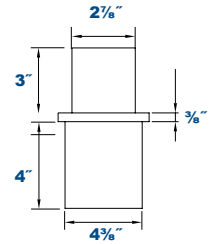


2 3/8" Single Round
Vertical Tenon (P3)
PSRA43B

Fits 4" PRSA Poles



2 3/8" Single Round
Vertical Tenon (P2)
PSRA52B



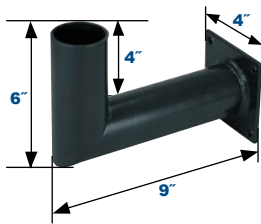
2 3/8" Single Round
Vertical Tenon (P3)
PSRA53B

Fits 5" PRSA Poles

Wall Mounting Bracket:



Wall Mount
Bracket
PRSWMBZ



Wall Mount 90°
Bracket
PRSWMB90Z

Replacement Parts:



PRA4CVB,
PRA5CVB

**Replacement Parts
(Order Separately, Field Installed)**

PRA4CVB Base Cover for 4" Pole, Black Finish

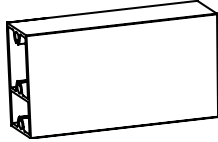
PRA5CVB Base Cover for 5" Pole, Black Finish

PAB34X30 M20 x 2 7/8" Anchor Bolts, Set of 4



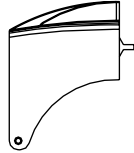
Pole Drill Templates

**For Use with
FLEM Arms**



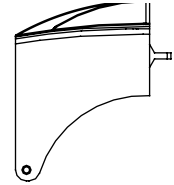
Standard

**For Use with
KH20 and KH25 Arms**



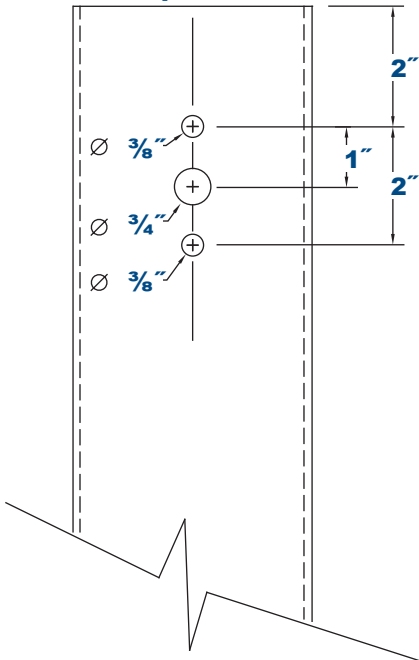
KH25

**For Use with
KH40 and KH45 Arms**



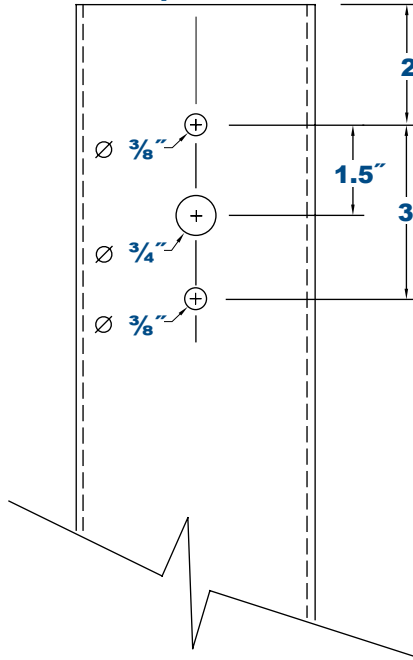
KH45

Top of Pole



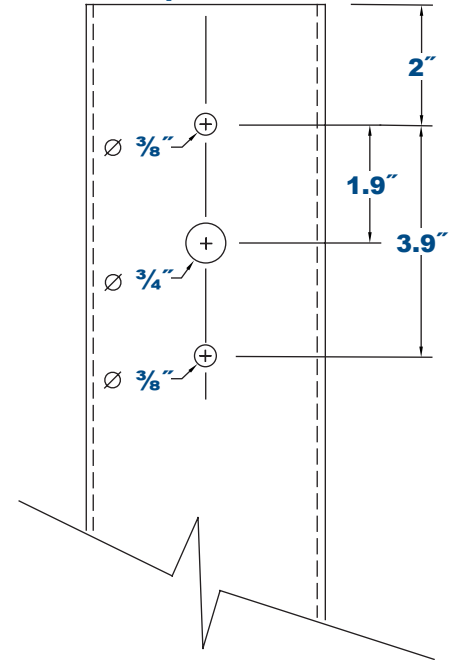
Pole Drill Pattern "S"
For Fixture Series:
AL35, AL50
AL70, AL90

Top of Pole



Pole Drill Pattern "D"
For Fixture Series:
KH15, KH25
AD25, KH20

Top of Pole



Pole Drill Pattern "E"
For Fixture Series:
KH45
KH40

For 4" and 5" PSRA Poles