



SC25C3

L70
25°C

88,000 Hours

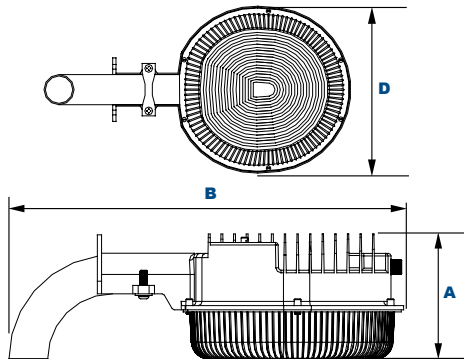
LED Dusk-To-Dawn Utility Light

Shown with "A12" Mounting Arm Option.



Dimensions

Width (D)	10" (254mm)
Length (B)	18½" (470mm)
Height (A)	5½" (150mm)



SC25C3 Dusk-to-Dawn Utility Light is available in an energy efficient 40 watt size with an optional slip-fit easy mounting galvanized pipe bracket and an optical distribution designed to replace HID lighting systems from 100w to 175w MH or HPS. Typical area lighting applications include retail centers, industrial parks, schools and universities, public transit and airports, office buildings and medical facilities. Mounting heights of 10 to 20 feet can be used based on light level and uniformity requirements.

Specifications and Features:

Housing:

Die Cast Gasketed Aluminum Housing with Integral Heat Sinking. Nickel-Plated Stainless Steel Hardware. Dusk to Dawn Automatic Photocell Included.

Finish:

Textured Architectural Gray Powdercoat Finish Over a Chromate Conversion Coating. Custom Colors Available Upon Request.

Lens:

Clear Prismatic Polycarbonate Lens

Reflector:

White Reflector

Mounting Options:

Wall Mount with Built-in Arm Bracket, or Use Optional 12" Mounting Arm for Additional Extension

COB LED:

Type V Distribution

Wattage:

COB: 40w; System: 41.6w
(175w HID Equivalent)

Driver:

Electronic Driver, 120-277V, 50/60Hz; Dimmable Driver

Listing & Ratings:

CSA: Listed for Wet Locations.
Operating Temperatures: -40°C to +40°C
IP65 Sealed LED Compartment.

See Page 2 for Projected Lumen Maintenance Table.

5-Year Warranty.

Order Information Example:

SC25C31X40U41KGA12

SC25C3	1X40	U	41K		
Model	Wattage	Driver	CCT	Color	Options
SC25C3 = LED Dusk-To-Dawn Utility Light	1X40=40w	U=120-277V	41K=4100K	G=Gray C=Custom (Consult Factory)	A12=Mounting Arm SF=Single Fuse DF=Double Fuse SP=Surge Protection

Project Information:

Project Name: _____ Fixture Type: _____
 Complete Catalog #: _____ Date: _____
 Comments: _____

Certification & Listings:



Specifications subject to change without notice. Rev. 010617



EPA (Effective Projected Area) Shown with 12" Mounting Arm.

Configuration	EPA (Sq. Ft.)	Weight (Lbs.)	Configuration	EPA (Sq. Ft.)	Weight (Lbs.)	Configuration	EPA (Sq. Ft.)	Weight (Lbs.)	Configuration	EPA (Sq. Ft.)	Weight (Lbs.)
1	0.40	8 Lbs	2@180° Mount	0.80	16 Lbs	3@90° Mount	0.88	24 Lbs	4@90° Mount	0.88	32 Lbs
			2@90° Mount	0.55	16 Lbs	3@120° Mount	0.80	24 Lbs			

Accessories & Replacement Parts:

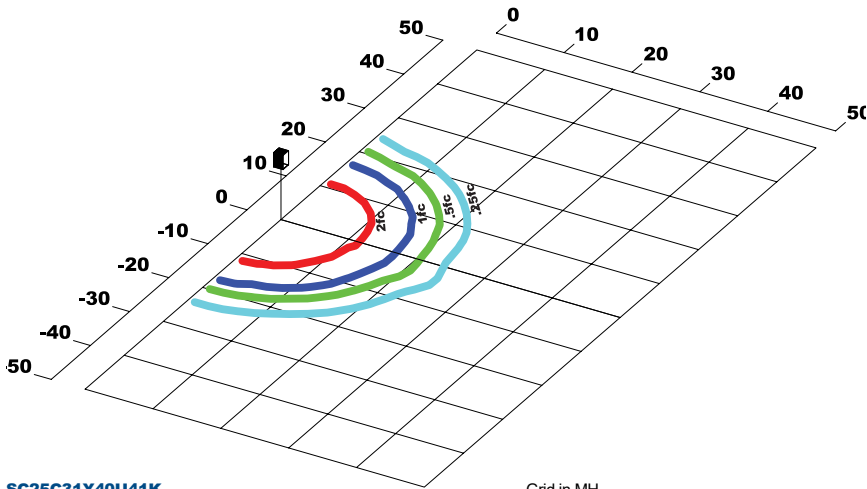


Mounting Accessories (Order separately, Field installed)
 SCMA12 12" Galvanized Mounting Arm and Wall Bracket. 1 1/4" O.D., 12"H x 12"D

Accessories (Order separately, Field installed)
 SC25SHB Cutoff Shield, UV-Resistant Black Molded Polycarbonate.

*Shown Mounted

Photometric Data



SC25C31X40U41K
 Type V

Grid in MH
 MH=10 Feet

Photometric Performance

LED Board Watts	Drive Current (mA)	Input Watts	Distribution	4100 CCT 80 CRI				
				Lumens	LPW	B	U	G
COB LED 40w	1050	42	Type V	3,872	92	2	3	1

Projected Lumen Maintenance

Data shown for 4100 CCT	Compare to MH						
	TM-21-11	Input Watts	Initial	25,000 Hrs	50,000 Hrs	100,000 Hrs	Calculated L70@ 25°C
L70 Lumen Maintenance @ 25°C / 77°F	42	1.00	0.91	0.83	0.66		88,000
TM-21-11	Input Watts	Initial	25,000 Hrs	50,000 Hrs	100,000 Hrs	Calculated L70@ 50°C	
L70 Lumen Maintenance @ 50°C / 122°F	42	1.00	0.90	0.79	0.58		72,000
TM-21-11	Input Watts	Initial	25,000 Hrs	50,000 Hrs	100,000 Hrs	Calculated L70@ 50°C	
L80 Lumen Maintenance @ 40°C / 104°F	42	1.00	0.90	0.80	0.61		51,000

NOTES:

1. Projected per IESNA TM-21-11. Data references the extrapolated performance projections for the 1050mA base model in a 25°C ambient, based on 10,000 hours of LED testing per IESNA LM-80-08.
2. Compare to MH box indicates suggested Light Loss Factor (LLF) to be used when comparing to Metal Halide (MH) systems.

Specifications subject to change without notice. Rev. 010617