

Sportslighter Series

Sportslighter Reflectors



SP50AR2



SP50AR3



SP50AR45



SP50AR6



SP50AR19



**KELSEY-KANE LIGHTING
MANUFACTURING COMPANY**

"Serving Lighting Professionals Since 1978"

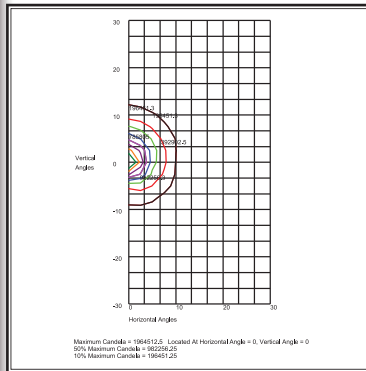
Accessories

SP50AR2	Type 2 Sportslighter Aluminum Reflector with Hinged Clampband
SP50AR3	Type 3 Sportslighter Aluminum Reflector with Hinged Clampband
SP50AR45	Type 4-5 Sportslighter Reflector with Hinged Clampband
SP50AR6	Type 6 Sportslighter Reflector with Hinged Clampband
SP50AR19	Standard 19" Reflector, Spun Anodized Aluminum

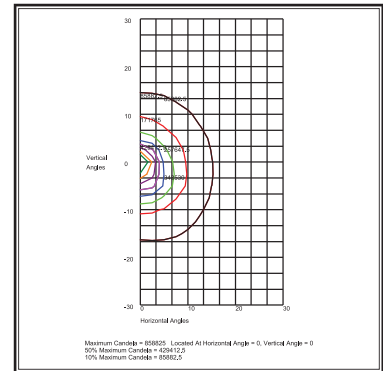
SOCKET POSITIONS

Socket Bracket Mounting Positions are indicated by the letter marking in the cast head of the Sportslighter.

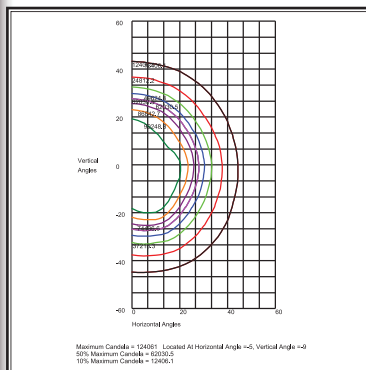
- Type 2 Reflector: Position B
- Type 3 Reflector: Position D
- Type 4 Reflector: Position A
- Type 5 Reflector: Position B
- Type 6 Reflector: Position C
- Standard 19" Reflector: Position C



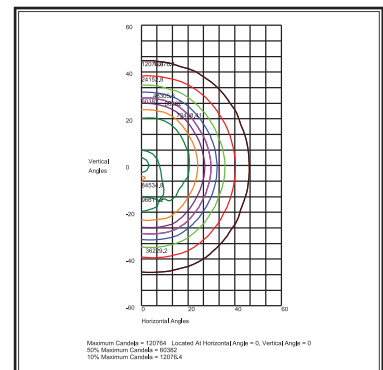
SP50AR2M1500



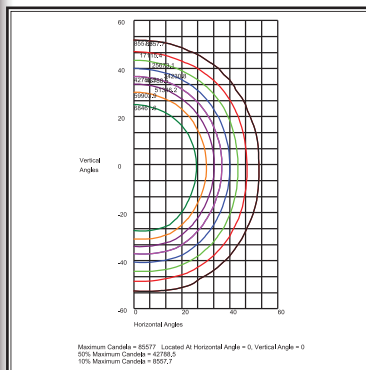
SP50AR3M1500



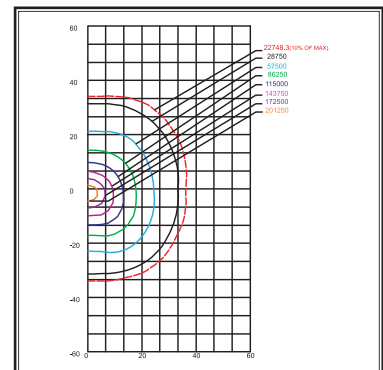
SP50AR4M1500



SP50AR5M1500



SP50AR6M1500



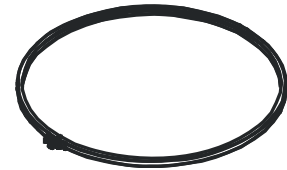
SP50AR19MH1500



**KELSEY-KANE LIGHTING
MANUFACTURING COMPANY**
"Serving Lighting Professionals Since 1978"

Catalog #	Description
SPCB19	Clampband for 19" Reflector
SPGL19	Flat Glass & Gasket for 19" Reflector
SP50AR3GS	Glare Shield for Type 3 Reflector; Mounting Hardware (Included)
SP50AR19LB	Internal Lamp Brace for 19" Reflector
SP50AR2GLCB	Clampband with Tempered Clear Flat Glass Lens & Gasket for SP50AR2 Reflector
SPGLCB22	Clampband with Tempered Clear Flat Glass Lens & Gasket for Type SP50AR45 & SP50AR6 Reflector
SPGLCB23	Clampband with Tempered Clear Flat Glass Lens & Gasket for SP50AR3 Reflector

Sportlighter Series
Sportlighter Reflectors



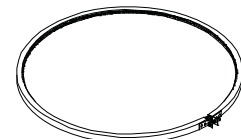
Flat Glass & Clampband



SP50AR3GS

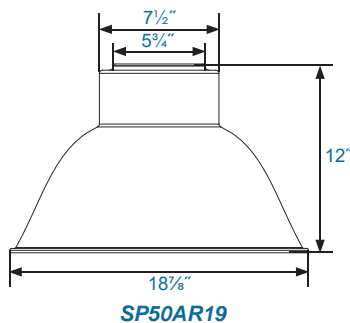
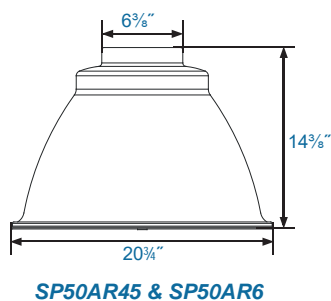
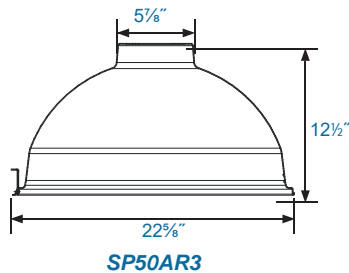
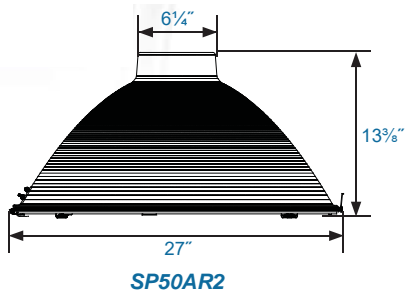


SP50AR19LB
(Shown Mounted)



SPGLCB

DIMENSIONS



KELSEY-KANE LIGHTING MFG. CO.
Voice & Text: 954-772-3187
E-Mail: info@kelsey-kane.com
Website: www.kelsey-kane.com