



**SP52Q**

L70  
25°C

269,000 Hours

**LED Sports Lighter/Architectural Flood**



The SP52 Sports Lighter and Architectural Flood Luminaire is available in two wattages with specially designed optical systems to provide uniform light levels for sports applications and architectural highlighting. Four NEMA beam patterns provide optical distribution that is designed to replace HID lighting systems of 400W to 1500W MH or HPS. Typical sports applications include baseball, soccer, football, golf, motor vehicle tracks, tennis and outdoor recreation. Commercial flood light and accent lighting applications include retail centers, theme parks, schools and universities, public transit and airports, mid and high rise buildings and bridge structures. Mounting heights of up to 80 feet can be used based on light level and uniformity requirements.

**Specifications and Features:**

**Housing:**

Die Cast Aluminum Housing with Top Glare Shield, Integral Heat Sinking and Driver Compartment. Laser Aiming Bracket is Provided on the Top of the Housing. Heavy Duty Adjustable Yoke Allows for Pole Downward and Ground/Wall Upward Aiming. Nickel-Plated Stainless Steel Hardware.

**Listing & Ratings:**

CSA: Listed for Wet Locations, ANSI/UL 1598, 8750;  
 IP66 Sealed LED Compartment.

**Finish:**

Textured Architectural Gray Powdercoat Finish Over a Chromate Conversion Coating. Custom Colors Available Upon Request

**Lens:**

Clear One-Piece Molded 1/4-Section Vandal-Resistant Polycarbonate Lenses in NEMA 2x2, 3x3, 4x4, and 5x5 Distributions. 4 Lenses Per Fixture, with Automatically Applied Closed Cell Gasketing.

**Mounting Options:**

Heavy Duty Yoke Allows for Aiming Horizontally and Vertically. Locking Bolts Can Be Configured for Up or Down Aiming. Adjustment Slots are Stamped With Embossed 5 Degree Increment Marks. Fixture is Supplied With 36" Cord and Liquid Tight Connector to Allow for Installation Without Opening the Housing to Make Circuit Connections. Yoke Can Be Bolted to Sports Lighting Cross Arms or Other Structures.

**EasyLED LED:**

Aluminum Boards

**Wattage:**

268w: Array: 268w, System: 295w (Up to 1000w HID Equivalent)  
 536w: Array: 536w, System: 584w (Up to 1500w HID Equivalent)

**Driver:**

Electronic Driver, 120-277V, 50/60Hz or 347-480V, 50/60Hz; Less Than 20% THD and PF>0.90. Standard Internal Surge Protection 6kV. 0-10V Dimming Standard for a Dimming Range of 100% to 10%; Dimming Source Current is 150 Microamps.

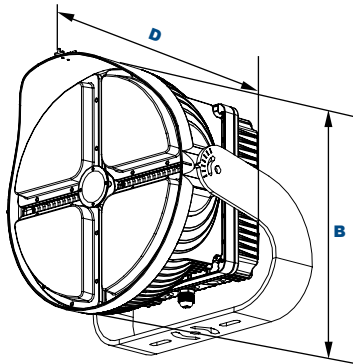
**Controls:**

Fixtures Ordered with Optional Factory-Installed 5-wire Cord with 1-10V Dimming Conductors are Internally Wired for Downstream Switching and/or 1-10V Dimming Within the Housing. Dimming Response is a Function of the Driver Capability, Consult Factory for Driver Specification for 1-10V Specific Characteristics. Fixtures are NOT Designed for Use with Line Voltage Dimmers.

**Warranty:**

5-Year Warranty for -40°C to +50°C Environment.

See Page 2 for Projected Lumen Maintenance Table.



**Dimensions**

<b>Length (D)</b>	12 3/4" (323mm)
<b>Height (B)</b>	16" (405mm)

**Order Information Example:**

SP52Q55536U5KGDF

SP52Q						
Model	Beam	Wattage	Driver	CCT	Color	Options
SP52Q= LED Sports Lighter/Architectural Flood	22=NEMA 2H x 2V 33=NEMA 3H x 3V 44=NEMA 4H x 4V 55=NEMA 5H x 5V	268=268w 536=536w	U=120-277V H=347-480V	4K=4000K 5K=5000K	G=Gray C=Custom (Consult Factory)	SF=Single Fuse DF=Double Fuse C53600B=3 Foot Black Cord, 600VAC, 5 Wire, Includes 1-10V Dimming Wires

**Project Information:**

Project Name: \_\_\_\_\_ Fixture Type: \_\_\_\_\_

Complete Catalog #: \_\_\_\_\_ Date: \_\_\_\_\_

Comments: \_\_\_\_\_

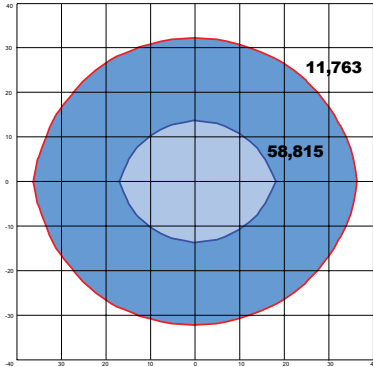
**Certification & Listings:**



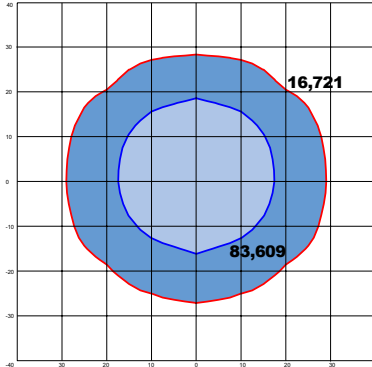


**Photometric Data**

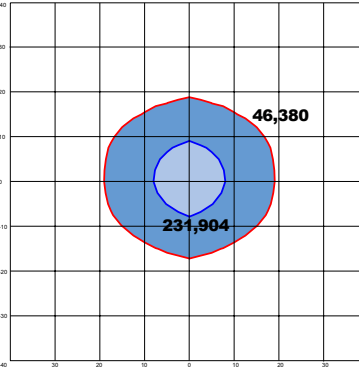
All values shown for 536 watt, 5K model.



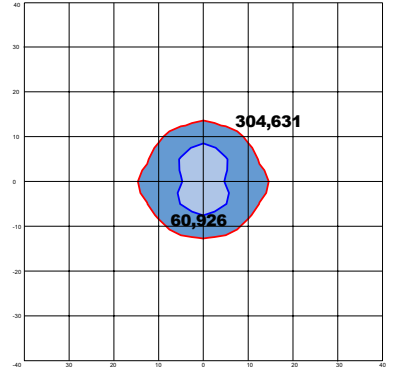
**NEMA 5X5**  
Maximum Center Beam  
Candlepower = 117,631 Candela  
62,954 Lumens



**NEMA 4X4**  
Maximum Center Beam  
Candlepower = 167,213 Candela  
64,312 Lumens



**NEMA 3X3**  
Maximum Center Beam  
Candlepower = 463,808 Candela  
65,092 Lumens



**NEMA 2X2**  
Maximum Center Beam  
Candlepower = 609,263 Candela  
59,567 Lumens

**Photometric Performance**


Consult Factory

**Projected Lumen Maintenance**

Data shown for 5000 CCT	Compare to MH					
	TM-21-11	Input Watts	Initial	25,000 Hrs	50,000 Hrs	100,000 Hrs
<b>L70 Lumen Maintenance @ 25°C / 77°F</b>	584	1.00	0.97	0.94	0.89	269,000
<b>TM-21-11</b>	Input Watts	Initial	25,000 Hrs	50,000 Hrs	100,000 Hrs	Calculated L70 @ 50°C
<b>L70 Lumen Maintenance @ 50°C / 122°F</b>	584	1.00	0.96	0.91	0.82	167,000
<b>TM-21-11</b>	Input Watts	Initial	25,000 Hrs	50,000 Hrs	100,000 Hrs	Calculated L80 @ 40°C
<b>L80 Lumen Maintenance @ 40°C / 104°F</b>	584	1.00	0.95	0.90	0.80	98,000

**NOTES:**  
1. Projected per IESNA TM-21-11. Data references the extrapolated performance projections for the 2800mA base model in a 25°C ambient, based on 10,000 hours of LED testing per IESNA LM-80-08.  
2. Compare to MH box indicates suggested Light Loss Factor (LLF) to be used when comparing to Metal Halide (MH) systems.

**EPA (Effective Projected Area)** Shown with Yoke.

Configuration	EPA (Sq. Ft.)	Weight (Lbs.)
 1	1.56	68 lbs