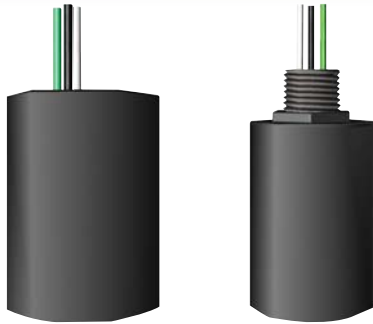


Lighting Components

Surge Protectors



CPSP

CPSP with Threaded Nipple

- Surge Protectors Can Be Used With LED, Fluorescent or HID Electronic Drivers and Ballasts.
- Install Internally in Fixtures or Remotely in Suitable Enclosures.
- Protects Line-Ground, Line-Neutral, and Neutral Ground, in Accordance with IEEE/ANSI C62.41.2 Guidelines.
- Protects Against Surges According to IEEE C62.41.2 C High (10kA and 10kV).
- Protects against surges according to ANSI C136.2.
- Surge Location Rated Category C3.
- High Temperature, Flameproof Plastic Enclosure, 85°C Maximum Surface Temperature Rating.
- 12" AWG #16 Stranded Leads, Stripped 0.63".
- Ratings & Listings: RoHS, IP65, UL

| Catalog # | Description |
|--------------|--------------------------------|
| CPSP120 | 120V, 10KA Surge Protector |
| CPSP277 | 277V, 10KA Surge Protector |
| CPSP48020KA | 480V, 20KA Surge Protector |
| CPSPU20KA | 120-277V, 20KA Surge Protector |
| CPSPU20KA-TN | 120-277V, 20KA Surge Protector |

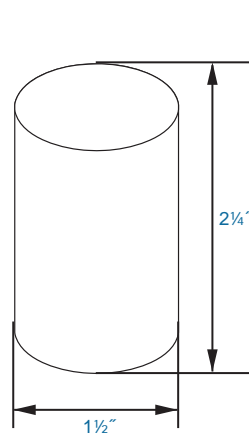
| Specifications | | | | | | |
|----------------|----------|----------------------------------------|---------------------------------|-------------------|--------|-----------|
| Catalog # | Voltage | Max Clamping Voltage 8/20 μS @ 10kA | Surge Current Rating 8/20 μS | UL 935/ UL1029 | UL1449 | 1/2" NPS* |
| CPSP120 | 120V | 600 | 10,000 Amps | • | | • |
| CPSP277 | 277V | 1500 | 10,000 Amps | • | • | • |
| CPSP48020KA | 480V | 3000 | 20,000 Amps | • | • | |
| CPSPU20KA | 120-277V | 1600 | 20,000 Amps | • | • | |
| CPSPU20KA-TN | 120-277V | 1600 | 20,000 Amps | • | • | • |

* 1/2" NPS Threaded Nipple.

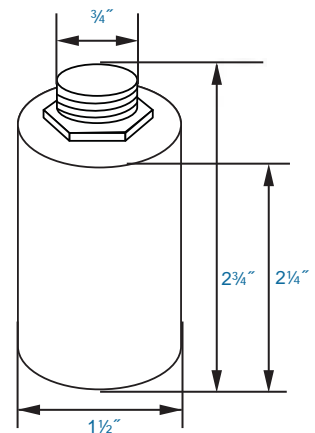
| 10,000KA Models Pulse Rating (8 x 20 μSec) | |
|-----------------------------------------------|----------|
| Strikes | Surge |
| 1 | 10,000 A |
| 2 | 6,500 A |
| 10 | 3,000 A |
| 100 | 1,500 A |
| 1000 | 700 A |

| 20,000KA Models Pulse Rating (8 x 20 μSec) | |
|-----------------------------------------------|----------|
| Strikes | Surge |
| 1 | 20,000 A |
| 2 | 15,000 A |
| 15 | 10,000 A |
| 120 | 3,000 A |

DIMENSIONS



CPSP



CPSP with Threaded Nipple

KELSEY-KANE LIGHTING MFG. CO.
 Voice & Text: 954-772-3187
 E-Mail: info@kelsey-kane.com
 Website: www.kelsey-kane.com