

Induction Light Series

Thermalux Induction Garage Lighter



TGL40I

Housing:

Round Die Cast Hinged Aluminum Housing with Built-in Heat Sinks is Designed with Induction Ballasts in Mind. Textured Architectural Bronze Powdercoat Finish Over a Chromate Conversion Coating Ideal for Cold Storage, Garage Lighting, or Low Bay Applications

Reflector:

White Powdercoat Steel Reflector

Lens:

Extended Clear Polycarbonate Prismatic Drop Lens.

Mounting:

Easy-Hang Bracket Fits Standard 4" Electrical Box, Allowing One-Person Installation. Pendant Mount Available.

Wattage:

Induction: 40, 60, 80, 100 or 120w, 5000K

Listing & Ratings:

CSA: Listed for Wet Locations

Options:

2.5KV Surge Protection

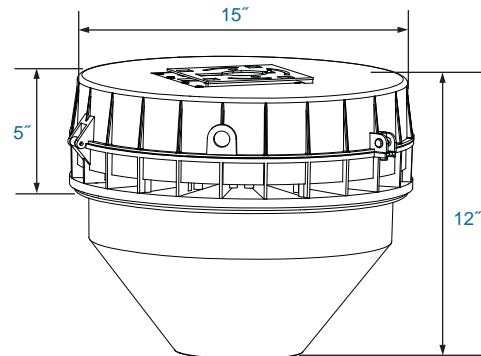
Custom Colors Available Upon Request.

Complete Units (Includes Lamp & Ballast)

Catalog #	Wattage	Voltage	Lamp	Ballast
TGL40I40U5K-	40	120-277	Induction	Electronic
TGL40I60U5K-	60	120-277	Induction	Electronic
TGL40I80U5K-	80	120-277	Induction	Electronic
TGL40I100U5K-	100	120-277	Induction	Electronic
TGL40I120U5K-	120	120-277	Induction	Electronic

- Add SP for Surge Protection

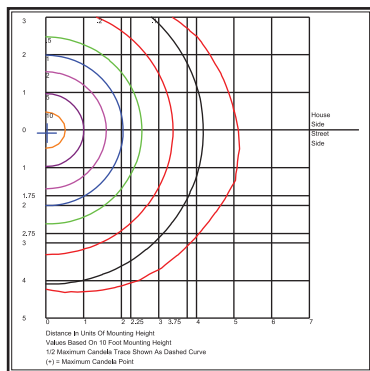
DIMENSIONS



TGL40I

KELSEY-KANE LIGHTING MFG. CO.
Voice & Text: 954-772-3187
E-Mail: info@kelsey-kane.com
Website: www.kelsey-kane.com

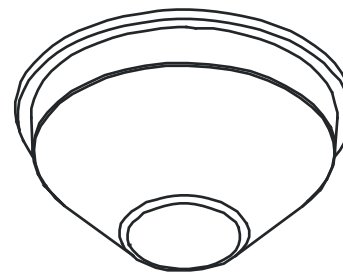
Catalog #	Description
VNGL40PC	Extended Clear Prismatic Polycarbonate Lens
VNPM	Pendant Mount, Includes Junction Box, Slide Plate, Locknut, & Hardware. CSA Listed for Damp Location Mounting.



TGL401120

Induction Light Series

Thermalux Induction Garage Lighter



VNGL40PC



VNPM

KELSEY-KANE LIGHTING MFG. CO.
 Voice & Text: 954-772-3187
 E-Mail: info@kelsey-kane.com
 Website: www.kelsey-kane.com