

Induction Light Series

Induction Metro Roadway Light



TN511-OS

Housing:

Extruded Aluminum Housing & Die Cast End Plates, Textured Architectural Powdercoat Bronze Finish Over a Chromate Conversion Coating, Hinged Front Frame and Latch for Tool-Less Entry for Relamping.

Reflector:

Specular Aluminum Reflector

Lens:

Tempered Clear Flat Glass Lens with Clips

Mounting:

Mount on Pipe, Wall or Ceiling with Adjustable Brackets, or Pole Mount with Slipfitter.

SYLVANIA ICETRON® ECOLOGIC®

System:

100,000 Hour Rated Life

10-Year Limited Warranty*

Wattages: 100, 120, 150 or 200w

CCT: 3500K, 4100K, 5000K

CRI: 80

Lumen Maintenance:

L80 at 60,000 Hours; L70 at 100,000 Hours

Low Temperature Starting: -40°C

Universal Voltage Driver, 120-277V, 50/60Hz

Power Factor: Greater than 95%

100w Dimmable System Allows 0-10V Dimming to

55%, or Bi-Level Dimming 100% to 60%.

Listing & Ratings:

CSA: Listed for Wet Locations

Custom Colors Available Upon Request.

Options:

2.5KV Surge Protection

Can Be Remote Mounted Up to 66 Feet.

*Warranty available upon request.

KELSEY-KANE LIGHTING MFG. CO.

Voice & Text: 954-772-3187

E-Mail: info@kelsey-kane.com

Website: www.kelsey-kane.com

10-Year Limited Warranty*

Complete Units (Lamp Included)					
Catalog #	Wattage	Voltage	CCT	Lamp	Ballast
TN511100U35K*OS-	100	120-277	3500	Induction	QUICKTRONIC®
TN511100U41K*OS-	100	120-277	4100	Induction	QUICKTRONIC®
TN511100U5K*OS-	100	120-277	5000	Induction	QUICKTRONIC®
TN511100U35K*OSD-	100	120-277	3500	Induction	Dimmable QUICKTRONIC®
TN511100U41K*OSD-	100	120-277	4100	Induction	
TN511100U5K*OSD-	100	120-277	5000	Induction	
TN511120U35K*OS-	120	120-277	3500	Induction	QUICKTRONIC®
TN511120U41K*OS-	120	120-277	4100	Induction	QUICKTRONIC®
TN511120U5K*OS-	120	120-277	5000	Induction	QUICKTRONIC®
TN511150U35K*OS-	150	120-277	3500	Induction	QUICKTRONIC®
TN511150U41K*OS-	150	120-277	4100	Induction	QUICKTRONIC®
TN511150U5K*OS-	150	120-277	5000	Induction	QUICKTRONIC®
TN511200U35K*OS-	200	120-277	3500	Induction	QUICKTRONIC®
TN511200U41K*OS-	200	120-277	4100	Induction	QUICKTRONIC®
TN511200U5K*OS-	200	120-277	5000	Induction	QUICKTRONIC®

*Specify Mounting: BR=Bracket, SF=Slipfitter
- Add SP for Surge Protection

ICETRON® ECOLOGIC®

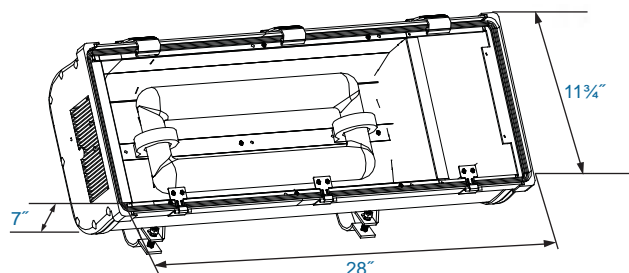
System Lumens

	35K	41K	5K
100w	8600	8600	8300
120w	11,900	11,900	11,500
150w	13,000	13,000	12,700
200w	15,900	15,900	15,600



Premium Phosphor Blend Insures
Color Consistency Throughout the
Life of the Lamp!

DIMENSIONS

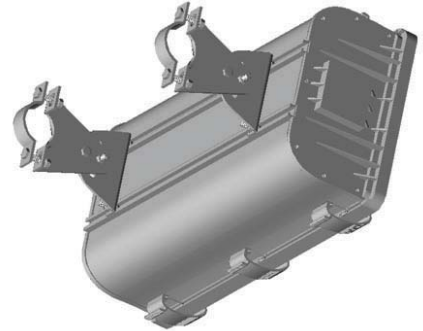


TN511-OS

Induction Light Series

Induction Metro Roadway Light

Catalog #	Description
TN50BR	Adjustable Bracket for Wall, Ceiling, or Pipe Mounting, Set of 2
FL73SFX	External Slipfitter



TN50BR



FL73SFX

KELSEY-KANE LIGHTING MFG. CO.
Voice & Text: 954-772-3187
E-Mail: info@kelsey-kane.com
Website: www.kelsey-kane.com