

Induction Light Series

Induction Metro Roadway Light



TN511

Housing:

Extruded Aluminum Housing & Die Cast End Plates, Textured Architectural Powdercoat Bronze Finish Over a Chromate Conversion Coating, Hinged Front Frame and Latch for Tool-Less Entry for Relamping.

Reflector:

Specular Aluminum Reflector

Lens:

Tempered Clear Flat Glass Lens with Clips

Mounting:

Mount on Pipe, Wall or Ceiling with Adjustable Brackets, or Pole Mount with Slipfitter.

Wattage:

Induction: 60, 80, 100, 120, 150 or 200w, 5000K

Listing & Ratings:

CSA: Listed for Wet Locations

Options:

2.5KV Surge Protection

Custom Colors Available Upon Request.

Complete Units (Includes Lamp & Ballast)

Catalog #	Wattage	Voltage	Lamp	Ballast
TN51160U5K*-	60	120-277	Induction	Electronic
TN51180U5K*-	80	120-277	Induction	Electronic
TN511100U5K*-	100	120-277	Induction	Electronic
TN511120U5K*-	120	120-277	Induction	Electronic
TN511150U5K*-	150	120-277	Induction	Electronic
TN511200U5K*-	200	120-277	Induction	Electronic

*Specify Mounting: BR=Bracket, SF=Slipfitter

- Add SP for Surge Protection

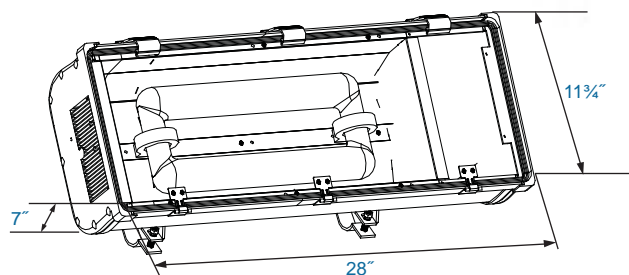
KELSEY-KANE LIGHTING MFG. CO.

Voice & Text: 954-772-3187

E-Mail: info@kelsey-kane.com

Website: www.kelsey-kane.com

DIMENSIONS

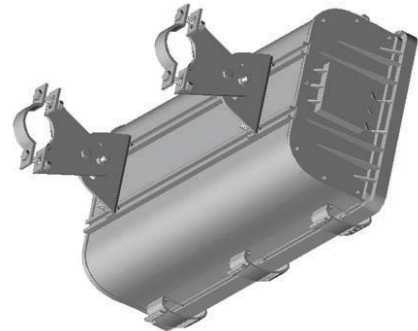


TN511

Catalog #	Description
TN50BR	Adjustable Bracket for Wall, Ceiling, or Pipe Mounting, Set of 2
FL73SFX	External Slipfitter

Induction Light Series

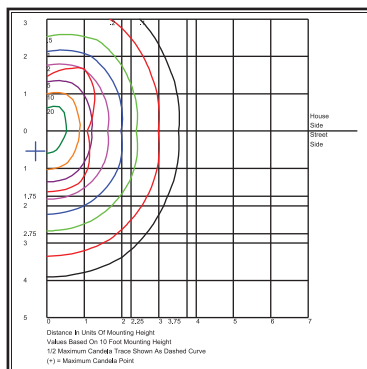
Induction Metro Roadway Light



TN50BR



FL73SFX



TN511200

KELSEY-KANE LIGHTING MFG. CO.
 Voice & Text: 954-772-3187
 E-Mail: info@kelsey-kane.com
 Website: www.kelsey-kane.com