



KELSEY-KANE LIGHTING
MANUFACTURING COMPANY
 "Serving Lighting Professionals Since 1978"

TV2C3

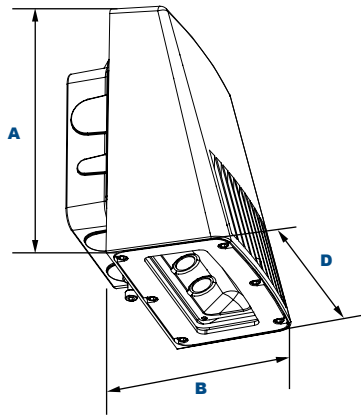
L70
25°C

76,000 Hours

AmberLED Small LED Traverse Wall and Flood



Shown with "KN" Knuckle Installed.



Dimensions

Width (D)	6 5/8" (168mm)
Length (B)	4 1/2" (114mm)
Height (A)	7 7/8" (200mm)
Height with Knuckle	10 5/8" (270mm)

Order Information Example:

TV2C32X20UAMZSP

TV2C3	2X20	U	AM		
Model	Wattage	Driver	CCT	Color	Options
TV2C3= AmberLED Small LED Traverse Wall and Flood	2X20= 40w	U= 120-277V	AM= Amber	Z= Bronze C= Custom (Consult Factory)	SF= Single Fuse DF= Double Fuse SP= Surge Protection

Project Information:

Project Name: _____ Fixture Type: _____

Complete Catalog #: _____ Date: _____

Comments: _____

Certification & Listings:



AmberLED Technology

AmberLED TV2 C³ luminaire is designed to replace HID lighting systems up to 175w MH or HPS for wildlife or security applications requiring monochromatic AMBER light. LEDs operate between 585 and 595nm, greater than 560nm required for wildlife protection. Typical wall mounted lighting applications include retail centers, industrial parks, schools and universities, public transit and airports, office buildings and medical facilities. Mounting heights of up to 12 feet can be used based on light level and uniformity requirements.

Specifications and Features:

Housing:

Die-Cast Gasketed Aluminum Housing, Includes Cast-In Box Template and Built in Level. White Reflector. Nickel-Plated Stainless Steel Hardware.

Listing & Ratings:

CSA: Listed for Wet Locations, ANSI/UL 1598, 8750
 IP65 Sealed LED Compartment.

Finish:

Textured Architectural Bronze Powdercoat Finish Over a Chromate Conversion Coating. Custom Colors Available Upon Request.

Lens:

Tempered Clear Flat Glass Lens.

Mounting Options:

Mount Directly Over Recessed Electrical Box or use 1/2" Surface Mount Conduit. Adjustable Knuckle with 1/2" NPS Threads, Sold Separately, Field Installed.

COB LED:

QSSI Cool Copper COB

Wattage:

COB: 40w, System Input 43w; (175w HID Equivalent)

Driver:

Electronic Driver, 120-277V, 50/60Hz; Less Than 20% THD and PF>0.90. Standard Internal Surge Protection 6kV. 0-10V Dimming Standard for a Dimming Range of 100% to 10%; Dimming Source Current is 150 Microamps.

Warranty:

5-Year Warranty for -40°C to +50°C Environment.

See Page 2 for Projected Lumen Maintenance Table.

AmberLED



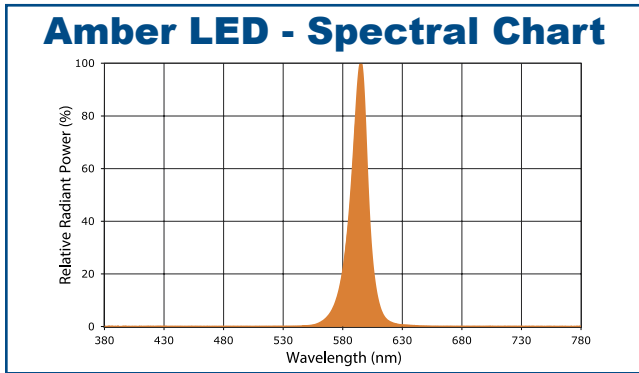
Accessories & Replacement Parts:



Mounting Accessories (Order Separately, Field Installed)		Accessories (Order Separately, Field Installed)	
FLPTFZ	Die-cast Post Top Fitter for 2½" to 3½" Poles, Bronze Powdercoat Finish, Three (3) ½" Coin Plugs.	P18110	110-130V, 120VAC Pencil Photocell
FLSTK	Heavy Duty Ground Stake, Built-in Wiring Compartment with ½" NPS Threaded Fitting, Black Plastic.	P18112	208-277V, 240VAC Pencil Photocell
FLSTZ*		TV2BFZ	Baffle, Aluminum with Bronze Powdercoat Finish
FLSTZ	Die-Cast Adjustable Knuckle with ½" NPS Threads, Bronze Powdercoat Finish.		

*Shown Mounted

Photometric Data



Photometric Performance

LED Board Watts	Drive Current (mA)	Input Watts	Optics
COB LED 43w	525	43	Type II

Projected Lumen Maintenance

Data shown for Amber LEDs			Compare to MH				
TM-21-11	Input Watts	Initial	25,000 Hrs	50,000 Hrs	100,000 Hrs	Calculated L70@ 25°C	
L70 Lumen Maintenance @ 25°C / 77°F	43	1.00	0.90	0.80	0.61	76,000	
TM-21-11	Input Watts	Initial	25,000 Hrs	50,000 Hrs	100,000 Hrs	Calculated L70@ 50°C	
L70 Lumen Maintenance @ 50°C / 122°F	43	1.00	0.86	0.72	0.44	54,000	
TM-21-11	Input Watts	Initial	25,000 Hrs	50,000 Hrs	100,000 Hrs	Calculated L80@ 40°C	
L80 Lumen Maintenance @ 40°C / 104°F	43	1.00	0.88	0.76	0.52	42,000	

NOTES:

1. Projected per IESNA TM-21-11. Data references the extrapolated performance projections for the 525mA base model in a 25°C ambient, based on 10,000 hours of LED testing per IESNA LM-80-08.
2. Compare to MH box indicates suggested Light Loss Factor (LLF) to be used when comparing to Metal Halide (MH) systems.