



KELSEY-KANE LIGHTING MANUFACTURING COMPANY

"Serving Lighting Professionals Since 1978"

COB Technology

TV2C3

L70
25°C

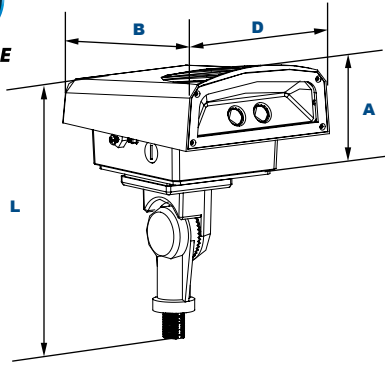
76,000 Hours

Small LED Traverse Flood Light



Shown with "KN" Knuckle Installed.

12V
AVAILABLE



Dimensions

Width (D)	6" (168mm)
Length (B)	7" (200mm)
Height (A)	4½" (114mm)
Height with Mount (L)	10½" (270mm)

Order Information Example:

TV2C32X20U41KZKNP

TV2C3			41K		KN	
Model	Wattage	Driver	CCT	Color	Mounting	Options
TV2C3=Small LED Traverse Flood Light	2X10=20w 2X20=40w	U=120-277V V=12V* *20w Model Only.	41K=4100K	Z=Bronze C=Custom (Consult Factory)	KN=½" NPS Knuckle, (Field Installed)	SF=Single Fuse* DF=Double Fuse* SP=Surge Protection* *Not Available on 12V Model.

TV2C3 flood light luminaire is available with a knuckle mounting feature and two wattages designed to replace HID lighting systems up to 175w MH or HPS. Typical lighting applications include retail centers, industrial parks, schools and universities, public transit and airports, office buildings and medical facilities. Mounting can be accomplished using ground attachment accessories and up to heights of 12 feet based on light level and uniformity requirements.

Specifications and Features:

Housing:

Die-Cast Gasketed Aluminum Housing, Includes Cast-In Box Template and Built in Level. White Reflector. Nickel-Plated Stainless Steel Hardware.

Listing & Ratings:

CSA: Listed for Wet Locations, ANSI/UL 1598, 8750
IP65 Sealed LED Compartment.

Finish:

Textured Architectural Bronze Powdercoat Finish Over a Chromate Conversion Coating. Custom Colors Available Upon Request.

Lens:

Tempered Clear Flat Glass Lens.

Mounting Options:

Adjustable Knuckle with ½" NPS Threads, (Included, Field Installed).

COB LED:

QSSI Cool Copper COB

Wattage:

20w: COB 20w, System Input 21w
(100w HID Equivalent) Note: 12V Model is 20w only.
40w: COB 40w, System Input 43w
(175w HID Equivalent)

Driver:

Electronic Driver, 120-277V, 50/60Hz; Dimmable Driver
12V: Electronic Driver, 12-17V, 50/60Hz, Non-Dimmable

Warranty:

5-Year Warranty for -40°C to +50°C Environment.

LM-79 Report Available on Select Models.

See Page 2 for Projected Lumen Maintenance Table.

Project Information:

Project Name: _____ Fixture Type: _____

Complete Catalog #: _____ Date: _____

Comments: _____

Certification & Listings:



DesignLights Consortium™
Qualified Luminaires:
TV2C32X10U41K*
TV2C32X20U41K*



Specifications subject to change without notice. Rev. 121317



Accessories & Replacement Parts:



FLPTFZ **FLSTK** **P18110 & P18112** **FLSTZ***

*Shown Mounted

Mounting Accessories (Order separately, Field installed)

FLPTFZ Die-cast Post Top Fitter for 2 3/4" to 3 1/2" Poles, Bronze Powdercoat Finish, Three (3) 1/2" Coin Plugs.

FLSTK Heavy Duty Ground Stake, Built-in Wiring Compartment with 1/2" NPS Threaded Fitting, Black Plastic.

Accessories (Order separately, Field installed)

P18110* 110-130V, 120VAC Pencil Photocell

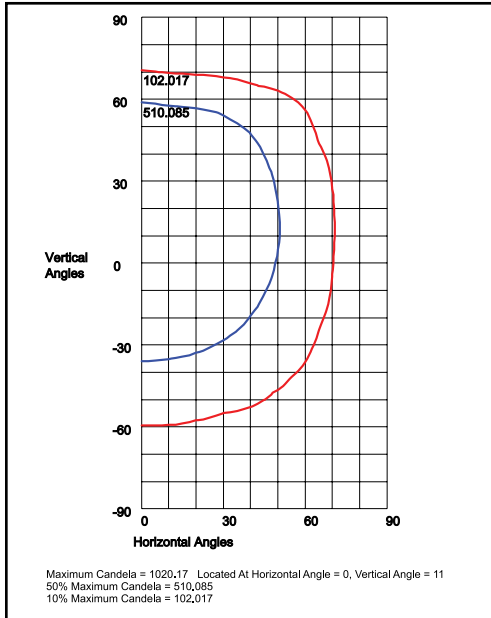
P18112* 208-277V, 240VAC Pencil Photocell

*Not Available on 12V Model.

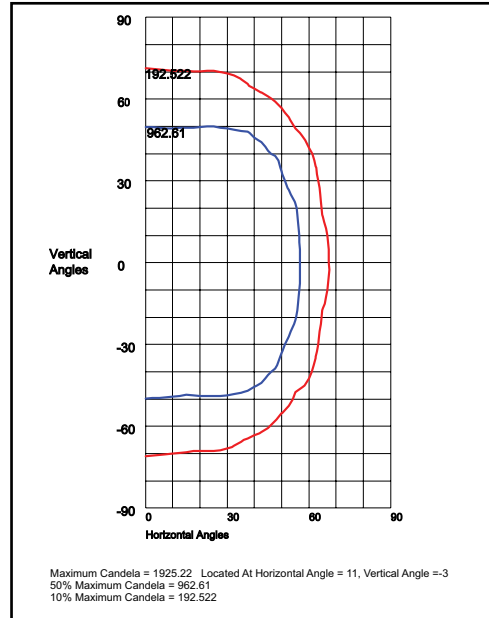
Replacement Parts (Order separately, Field installed)

FLSTZ Die-Cast Adjustable Knuckle with 1/2" NPS Threads, Bronze Powdercoat Finish.

Photometric Data



TV2C32X10U41K
110°H x 100°V Beam, NEMA 7H x 6V



TV2C32X20U41K
100°H x 90°V Beam, NEMA 7H x 6V

Photometric Performance

LED Board Watts	Drive Current (mA)	Input Watts	Beam	4100 CCT 80 CRI	
				Lumens	LPW
COB LED 21w	525	21	110°H x 100°V, NEMA 7H x 6V	2,304	110
COB LED 43w		43	100°H x 90°V, NEMA 7H x 6V	4,034	94

Projected Lumen Maintenance

Data shown for 4100 CCT			Compare to MH			
TM-21-11	Input Watts	Initial	25,000 Hrs	50,000 Hrs	100,000 Hrs	Calculated L70@ 25°C
L70 Lumen Maintenance @ 25°C / 77°F	21	1.00	0.91	0.82	0.64	84,000
L70 Lumen Maintenance @ 25°C / 77°F	43	1.00	0.90	0.80	0.61	76,000
TM-21-11	Input Watts	Initial	25,000 Hrs	50,000 Hrs	100,000 Hrs	Calculated L70@ 50°C
L70 Lumen Maintenance @ 50°C / 122°F	21	1.00	0.89	0.78	0.55	67,000
L70 Lumen Maintenance @ 50°C / 122°F	43	1.00	0.86	0.72	0.44	54,000
TM-21-11	Input Watts	Initial	25,000 Hrs	50,000 Hrs	100,000 Hrs	Calculated L80@ 40°C
L80 Lumen Maintenance @ 40°C / 104°F	21	1.00	0.89	0.78	0.57	46,000
L80 Lumen Maintenance @ 40°C / 104°F	43	1.00	0.88	0.76	0.52	42,000

NOTES:

- Projected per IESNA TM-21-11. Data references the extrapolated performance projections for the 525mA base model in a 25°C ambient, based on 10,000 hours of LED testing per IESNA LM-80-08.
- Compare to MH box indicates suggested Light Loss Factor (LLF) to be used when comparing to Metal Halide (MH) systems.

Specifications subject to change without notice. Rev. 121317