



**KELSEY-KANE LIGHTING
MANUFACTURING COMPANY**
"Serving Lighting Professionals Since 1978"

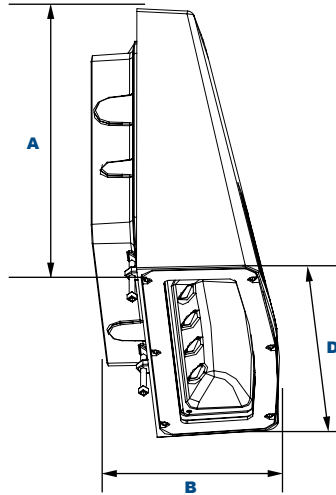
COB Technology

TV3C3

L70
25°C

77,000 Hours

Large LED Traverse Wall Accent Light



Dimensions

Width (D)	9 3/4" (248mm)
Length (B)	6 1/2" (156mm)
Height (A)	11 1/4" (286mm)

Order Information Example:

TV3C34X20U41KZSP

TV3C3		U	41K		
Model	Wattage	Driver	CCT	Color	Options
TV3C3=Large LED Traverse Wall Accent Light	4X15=60w 4X20=80w	U=120-277V	41K=4100K	Z=Bronze C=Custom (Consult Factory)	SF=Single Fuse DF=Double Fuse SP=Surge Protection

TV3C3 cut-off wall mounted luminaire is available in two wattages designed to replace HID lighting systems up to 400w MH or HPS. Typical wall mounted lighting applications include retail centers, industrial parks, schools and universities, public transit and airports, office buildings and medical facilities. Mounting heights of 12 to 20 feet can be used based on light level and uniformity requirements.

Specifications and Features:

Housing:

Die-Cast Gasketed Aluminum Housing, Includes Cast-In Box Template and Built in Level. White Reflector Nickel-Plated Stainless Steel Hardware.

Listing & Ratings:

CSA: Listed for Wet Locations, ANSI/UL 1598, 8750
IP65 Sealed LED Compartment.

Finish:

Textured Architectural Bronze Powdercoat Finish Over a Chromate Conversion Coating. Custom Colors Available Upon Request.

Lens:

Tempered Clear Flat Glass Lens.

Mounting Options:

Mount Directly Over Recessed Electrical Box or Use 1/2" Surface Conduit.

COB LED:

QSSI Cool Copper COB

Wattage:

60w: COB 60w, System Input 56w
(250w HID Equivalent)
80w: COB 80w, System Input 80w
(400w HID Equivalent)

Driver:

Electronic Driver, 120-277V, 50/60Hz; Less Than 20% THD and PF>0.90. Standard Internal Surge Protection 6kV. 0-10V Dimming Standard for a Dimming Range of 100% to 10%; Dimming Source Current is 150 Microamps.

Warranty:

5-Year Warranty for -40°C to +50°C Environment.

LM-79 Report Available on Select Models.

See Page 2 for Projected Lumen Maintenance Table.

Project Information:

Project Name: _____ Fixture Type: _____
 Complete Catalog #: _____ Date: _____
 Comments: _____

Certification & Listings:



DesignLights Consortium™
Qualified Luminaires:
TV3C34X15U41K*
TV3C34X20U41K*



Specifications subject to change without notice. Rev. 043018



Accessories & Replacement Parts:

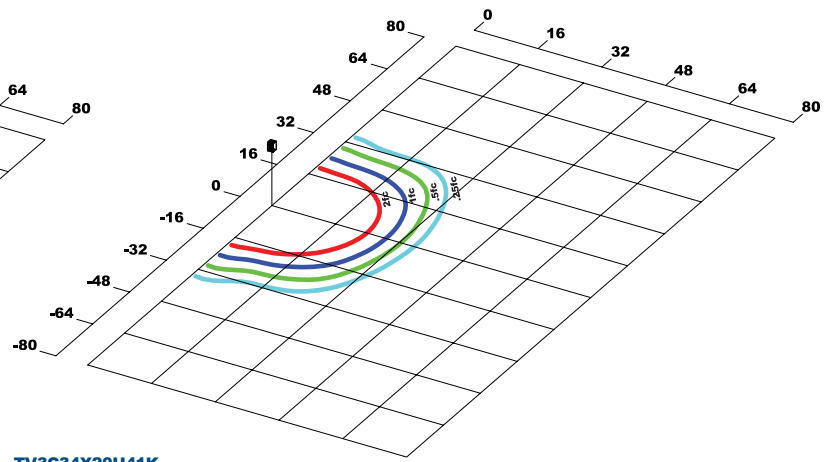
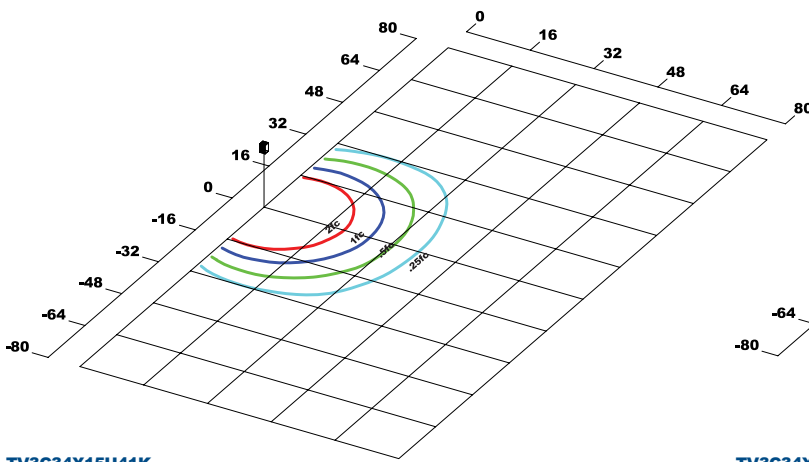


P18110 &
P18112

**Accessories
(Order separately, Field installed)**

P18110	110-130V, 120VAC Pencil Photocell
P18112	208-277V, 240VAC Pencil Photocell

Photometric Data



Photometric Performance

LED Board Watts	Drive Current (mA)	Input Watts	Optics	4100 CCT 80 CRI				
				Lumens	LPW	B	U	G
COB LED 60w	525	56	Type III	6,508	116	2	1	1
COB LED 80w		80	Type III	8,212	103	3	1	1

Projected Lumen Maintenance

Data shown for 4100 CCT			Compare to MH				
TM-21-11	Input Watts	Initial	25,000 Hrs	50,000 Hrs	100,000 Hrs	Calculated L70@ 25°C	
L70 Lumen Maintenance @ 25°C / 77°F	56	1.00	0.91	0.83	0.65	86,000	
L70 Lumen Maintenance @ 25°C / 77°F	80	1.00	0.90	0.81	0.61	77,000	
TM-21-11	Input Watts	Initial	25,000 Hrs	50,000 Hrs	100,000 Hrs	Calculated L70@ 50°C	
L70 Lumen Maintenance @ 50°C / 122°F	56	1.00	0.89	0.78	0.56	68,000	
L70 Lumen Maintenance @ 50°C / 122°F	80	1.00	0.87	0.73	0.46	56,000	
TM-21-11	Input Watts	Initial	25,000 Hrs	50,000 Hrs	100,000 Hrs	Calculated L80@ 40°C	
L80 Lumen Maintenance @ 40°C / 104°F	56	1.00	0.89	0.79	0.57	47,000	
L80 Lumen Maintenance @ 40°C / 104°F	80	1.00	0.88	0.77	0.53	43,000	

NOTES:

1. Projected per IESNA TM-21-11. Data references the extrapolated performance projections for the 525mA base model in a 25°C ambient, based on 10,000 hours of LED testing per IESNA LM-80-08.
2. Compare to MH box indicates suggested Light Loss Factor (LLF) to be used when comparing to Metal Halide (MH) systems.