

LED Series

LED Garage Lighter with Sensor



VN511

Housing:

Low Profile Aluminum Housing, White Powdercoat Finish.

Lens:

UV-Stabilized Clear Lens.

Mounting:

Surface or Pendant Mount. Can Be Wall Mounted.

LED Module:

Delivered Lumens: 6,069

CRI: 74

CCT: 5000K

Rated Life: 50,000 Hours

5-Year Warranty

RoHS Compliant

Wattage:

System: 57.3w

Driver:

Electronic Driver, 120-277V, 50/60Hz; Less Than 20% THD and PF>0.90. Standard Internal Surge Protection 6kV. 0-10V Dimming Standard for a Dimming Range of 100% to 10%; Dimming Source Current is 150 Microamps.

Sensor:

Includes Integrated Wattstopper FSP-211 Sensor with L2 Sensor Lens Providing Multi-Level Control Based on Motion. Line Voltage On/Off Switching, 0-10V Dimming Control, Adjustable Settings, IP66 Rated. L2 Lens Coverage is Maximum 48' Diameter When Mounted at 8 Feet.

Listing & Ratings:

IP65

ETL Wet Listed Under UL1598 Specifications

KELSEY-KANE LIGHTING MFG. CO.

Voice & Text: 954-772-3187

E-Mail: info@kelsey-kane.com

Website: www.kelsey-kane.com



DesignLights Consortium™ Qualified Luminaires:
VN511G55U5K*

LED Garage Lighter with Sensor

Catalog #

Description

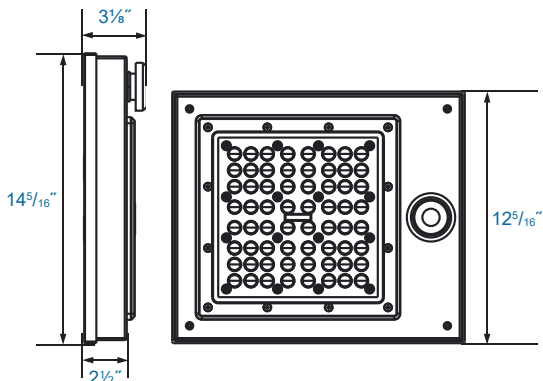
Complete Units

Ordering Information

Example: VN511G55U5KW

VN511	Model:	VN511
G	Optics:	G=Type VS
55	Wattage:	55=55w
U	Ballast:	U=120-277V, 50/60Hz
5K	Color Temp:	5K=5000K
W	Color:	W=White

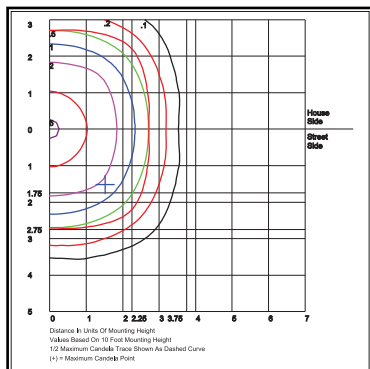
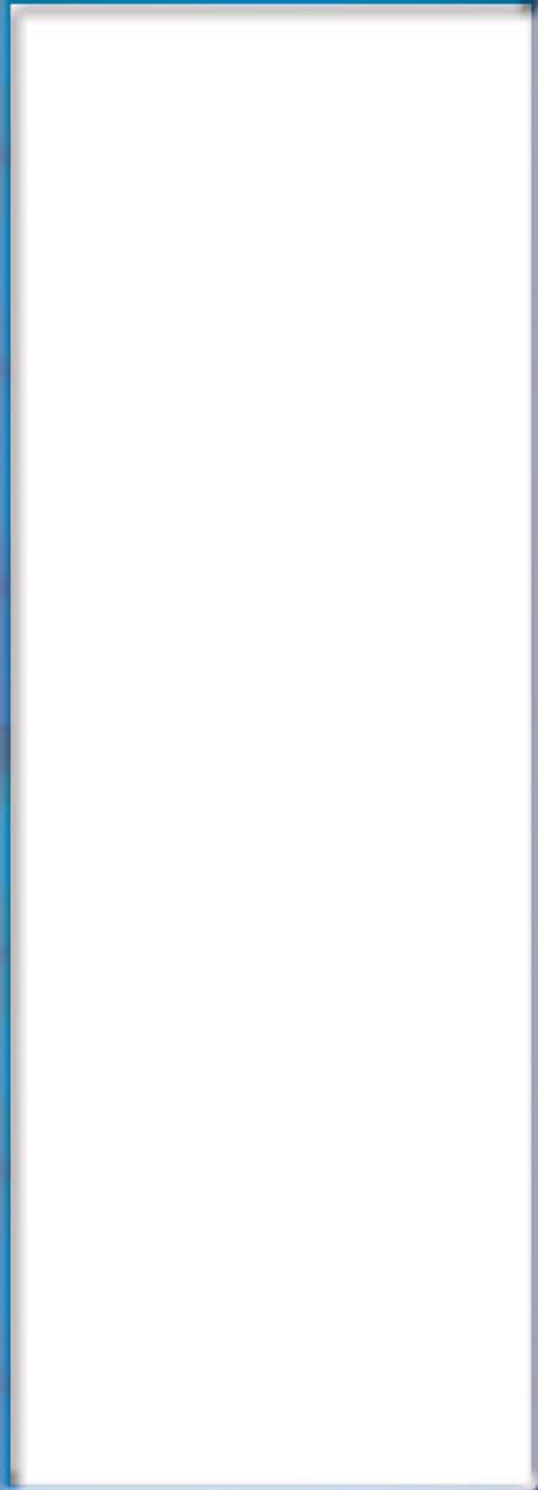
DIMENSIONS



VN511

LED Series

**LED Garage Lighter
with Sensor**



VN51G55U5K

KELSEY-KANE LIGHTING MFG. CO.
Voice & Text: 954-772-3187
E-Mail: info@kelsey-kane.com
Website: www.kelsey-kane.com