

## Wall Pack Series

### Hooded Semi-Cutoff Wall Pack, Medium



**WH15**

**Housing:**

Die Cast Aluminum Housing & Hinged Front Frame, 1/2" Coin Plugs with O-rings for Conduit & Photocell, Textured Architectural Bronze Powdercoat Finish Over a Chromate Conversion Coating

**Reflector:**

Aluminum Reflector

**Lens:**

Tempered Clear Glass Lens

**Socket:**

Porcelain 4KV Pulse Rated Medium Base Socket with Nickel Plated Screw Shell

**Mounting:**

Cast-in Template for Mounting Directly Over a 4" Recessed Outlet Box, or Use 1/2" Surface Conduit.

**Wattage:**

High Pressure Sodium: 35 to 150w

Metal Halide: 50 to 100w

Pulse Start: 150w

**Listing & Ratings:**

CSA: Listed for Wet Locations

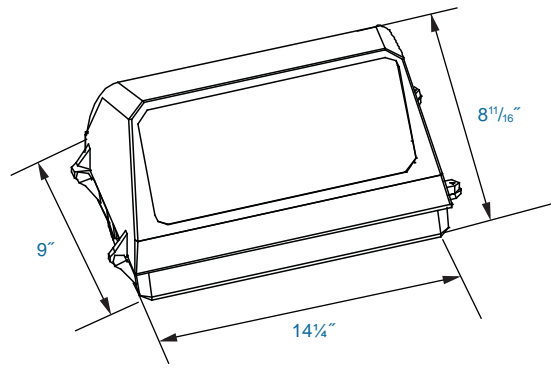
**Add:** PC1 120V Photocell (Field Installed)  
PC2 240-277V Photocell (Field Installed)

Other Wattages & Custom Colors Available Upon Request.

**KELSEY-KANE LIGHTING MFG. CO.**  
Voice & Text: 954-772-3187  
E-Mail: [info@kelsey-kane.com](mailto:info@kelsey-kane.com)  
Website: [www.kelsey-kane.com](http://www.kelsey-kane.com)

Kit(s)				
Catalog #	Description			
WH15	Medium Hooded Semi-Cutoff Wall Pack, HID Kit			
Complete Units (Lamp Included)				
Catalog #	Wattage	Voltage	Lamp	Ballast
WH15H35R120L	35	120	HPS	R-NPF
WH15H50R120L	50	120	HPS	R-NPF
WH15H70R120L	70	120	HPS	R-NPF
WH15H100R120L	100	120	HPS	R-NPF
WH15H150R120L	150	120	HPS	R-NPF
WH15H50DL	50	120/277	HPS	HX-HPF
WH15H70QL	70	Quad	HPS	HX-HPF
WH15H100QL	100	Quad	HPS	HX-HPF
WH15H150QL	150	Quad	HPS	HX-HPF
WH15M50DL	50	120/277	MH	HX-HPF
WH15M70QL	70	Quad	MH	HX-HPF
WH15M100QL	100	Quad	MH	HX-HPF
WH15P150QL	150	Quad	PS	HX-HPF

## DIMENSIONS



**WH15**