

Wall Pack Series

Hooded Semi-Cutoff Wall Pack, Large Shallow



WH20

Housing:

Die Cast Aluminum Housing & Hinged Front Frame,
1/2" Coin Plugs with O-rings for Conduit & Photocell,
Textured Architectural Bronze Powdercoat Finish
Over a Chromate Conversion Coating

Reflector:

Aluminum Reflector

Lens:

Tempered Clear Glass Lens

Socket:

Porcelain 5KV Pulse Rated Mogul Base Socket with
Nickel Plated Screw Shell

Mounting:

Cast-in Template for Mounting Directly Over a 4"
Recessed Outlet Box, or Use 1/2" Surface Conduit.

Wattage:

High Pressure Sodium: 100 to 250w

Metal Halide: 100w

Pulse Start: 150 to 250w

Listing & Ratings:

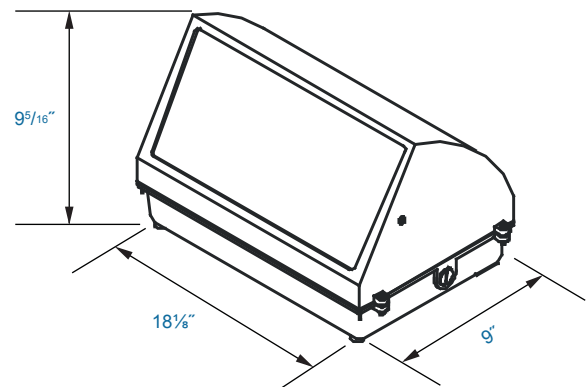
CSA: Listed for Wet Locations

Add: P18110 120V Photocell (Field Installed)
P18112 240-277V Photocell (Field Installed)
QRS Quartz Restrike Module

Other Wattages & Custom Colors Available
Upon Request.

KELSEY-KANE LIGHTING MFG. CO.
Voice & Text: 954-772-3187
E-Mail: info@kelsey-kane.com
Website: www.kelsey-kane.com

DIMENSIONS



WH20

Kit(s)	Description			
Catalog #	Description			
WH20	Large Shallow Hooded Semi-Cutoff Wall Pack, HID Kit			
Complete Units (Lamp Included)				
Catalog #	Wattage	Voltage	Lamp	Ballast
WH20H100QMGL	100	Quad	HPS	HX-HPF
WH20H150QMGL	150	Quad	HPS	HX-HPF
WH20H250QL	250	Quad	HPS	CWA
WH20M100QMGL	100	Quad	MH	HX-HPF
WH20P150QMGL	150	Quad	PS	HX-HPF
WH20P250QL [Ⓔ]	250	Quad	PS	CWA