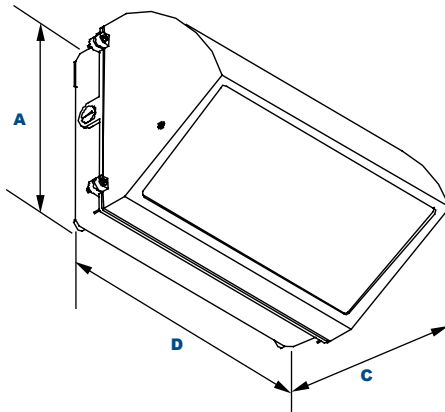




WH20Q **L70** **201,000 Hours**
25°C
EasyLED Hooded Semi-Cutoff Large Wall Pack



Dimensions

Width (D)	18 1/4" (464mm)
Depth (B)	9 1/4" (235mm)
Height (A)	9" (229mm)

WH20Q semi-cutoff wall pack luminaire is designed to replace HID lighting systems from 250w to 400w MH or HPS. Typical wall mounted lighting applications include retail centers, industrial parks, schools and universities, public transit and airports, office buildings and medical facilities. Mounting heights of 18 to 30 feet can be used based on light level and uniformity requirements.

Specifications and Features:

Housing:

Die Cast Hinged and Gasketed Aluminum Front Frame and Housing with 1/2" Coin Plugs. Nickel-Plated Stainless Steel Hardware. Photocell Adaptable.

Finish:

Textured Architectural Bronze Powdercoat Finish Over a Chromate Conversion Coating. Custom Colors Available Upon Request.

Lens:

Tempered Clear Flat Glass Lens.

Mounting Options:

Cast-in Template for Mounting Directly Over a 4" Recessed Outlet Box, or Use 1/2" Surface Conduit.

EasyLED LED:

Aluminum Boards

Wattage:

Array: 58w, System: 67.1w
(400w HID Equivalent)

Driver:

Electronic Driver, 120-277V, 50/60Hz or 347/480V, 50/60Hz;
Dimmable Driver

Listing & Ratings:

CSA: Listed for Wet Locations.
Operating Temperatures: -40°C to +40°C
IP55

See Page 2 for Projected Lumen Maintenance Table.

5-Year Warranty.

Order Information Example:

WH20QF1X58U4KCZSP

WH20Q	F	1X58		4K	C		
Model	Optics	Wattage	Driver	CCT	Lens	Color	Options
WH20Q = EasyLED Hooded Semi-Cutoff Large Wall Pack	F =Type IV	1X58 =58w	U =120-277V H =347/480V	4K =4000K	C =Clear Flat Glass Lens	Z =Bronze C =Custom (Consult Factory)	SF =Single Fuse DF =Double Fuse SP =Surge Protection PC1 =Photocell, 120VAC PC2 =Photocell, 240-277VAC

Project Information:

Project Name: _____ Fixture Type: _____
 Complete Catalog #: _____ Date: _____
 Comments: _____

Certification & Listings:



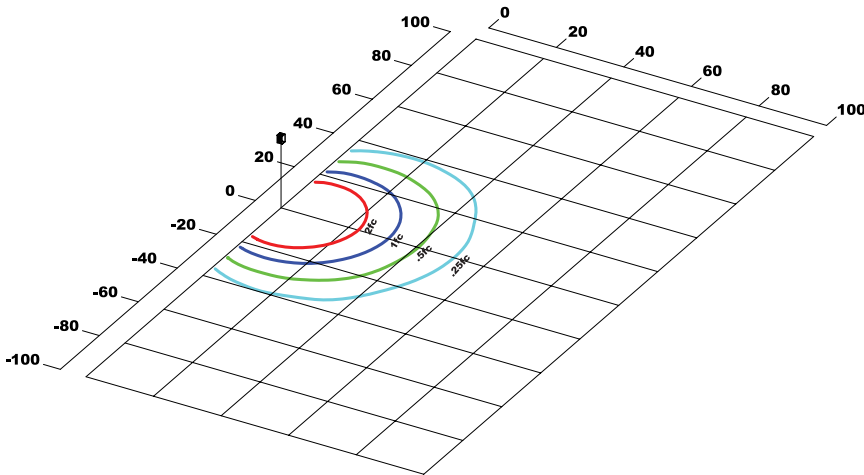


Accessories & Replacement Parts:

Replacement Parts
 (Order separately, Field installed)

PC1	120VAC, Photocell
PC2	240-277VAC, Photocell

Photometric Data



WH20QF1X58U4KC
 Type IV
 Grid in MH
 MH=20 Feet

Photometric Performance

LED Board Watts	Drive Current (mA)	Input Watts	Optics	4000 CCT 80 CRI				
				Lumens	LPW	B	U	G
EasyLED 58w	525	67	Type IV	7,034	105	2	3	3

Projected Lumen Maintenance

Data shown for 4000 CCT			Compare to MH				
TM-21-11	Input Watts	Initial	25,000 Hrs	50,000 Hrs	100,000 Hrs	Calculated L70@ 25°C	
L70 Lumen Maintenance @ 25°C / 77°F	67	1.00	0.96	0.93	0.85	201,000	
TM-21-11	Input Watts	Initial	25,000 Hrs	50,000 Hrs	100,000 Hrs	Calculated L70@ 50°C	
L70 Lumen Maintenance @ 50°C / 122°F	67	1.00	0.93	0.86	0.73	110,000	
TM-21-11	Input Watts	Initial	25,000 Hrs	50,000 Hrs	100,000 Hrs	Calculated L80@ 40°C	
L80 Lumen Maintenance @ 40°C / 104°F	67	1.00	0.94	0.88	0.77	86,000	

NOTES:

1. Projected per IESNA TM-21-11. Data references the extrapolated performance projections for the 525mA base model in a 25°C ambient, based on 10,000 hours of LED testing per IESNA LM-80-08.
2. Compare to MH box indicates suggested Light Loss Factor (LLF) to be used when comparing to Metal Halide (MH) systems.