

Wall Pack Series

Hooded Semi-Cutoff Wall Pack, Large Deep



WH25

Housing:

Die Cast Aluminum Housing & Hinged Front Frame, 1/2" Coin Plugs with O-rings for Conduit & Photocell, Textured Architectural Bronze Powdercoat Finish Over a Chromate Conversion Coating

Reflector:

Aluminum Reflector

Lens:

Tempered Clear Glass Lens

Socket:

Porcelain 5KV Pulse Rated Mogul Base Socket with Nickel Plated Screw Shell

Mounting:

Cast-in Template for Mounting Directly Over a 4" Recessed Outlet Box, or Use 1/2" Surface Conduit.

Wattage:

High Pressure Sodium: 100 to 400w

Metal Halide: 100 to 150w

Pulse Start: 250 to 400w

Listing & Ratings:

CSA: Listed for Wet Locations

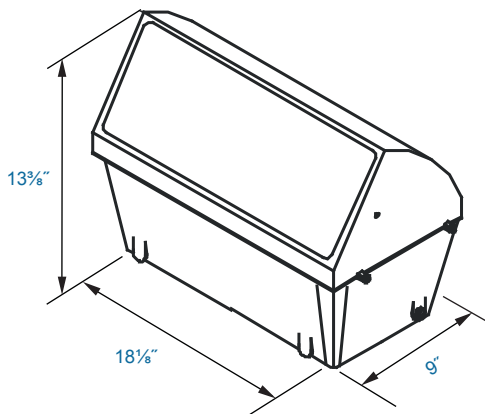
Add: PC1 120V Photocell (Field Installed)
PC2 240-277V Photocell (Field Installed)
QRS Quartz Restrike Module

Other Wattages & Custom Colors Available Upon Request.

KELSEY-KANE LIGHTING MFG. CO.
Voice & Text: 954-772-3187
E-Mail: info@kelsey-kane.com
Website: www.kelsey-kane.com

Kit(s)	Description			
Catalog #	Description			
WH25	Large Deep Hooded Semi-Cutoff Wall Pack, HID Kit			
Complete Units (Lamp Included)				
Catalog #	Wattage	Voltage	Lamp	Ballast
WH25H100QMGL	100	Quad	HPS	HX-HPF
WH25H150QMGL	150	Quad	HPS	HX-HPF
WH25H250QL	250	Quad	HPS	CWA
WH25H400QL	400	Quad	HPS	CWA
WH25M100QMGL	100	Quad	MH	HX-HPF
WH25M150QMGL	150	Quad	MH	HX-HPF
WH25P250QL [Ⓔ]	250	Quad	PS	CWA
WH25P320QL [Ⓔ]	320	Quad	PS	CWA
WH25P350QL [Ⓔ]	350	Quad	PS	CWA
WH25P400QL [Ⓔ]	400	Quad	PS	CWA

DIMENSIONS



WH25