

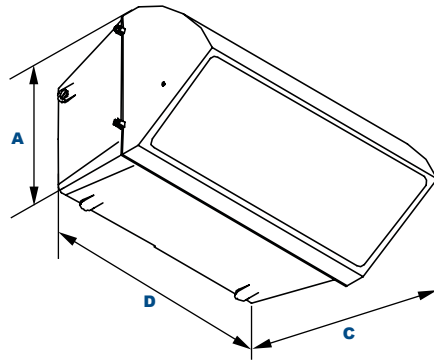


**WH25Q**

L70  
25°C

201,000 Hours

**EasyLED Hooded Semi-Cutoff Large Deep Wall Pack**



**Dimensions**

<b>Width (D)</b>	18 1/4" (464mm)
<b>Depth (C)</b>	13 3/8" (340mm)
<b>Height (A)</b>	9" (229mm)

WH25Q semi-cutoff wall pack luminaire is designed to replace HID lighting systems from 250w to 400w MH or HPS. Typical wall mounted lighting applications include retail centers, industrial parks, schools and universities, public transit and airports, office buildings and medical facilities. Mounting heights of 18 to 30 feet can be used based on light level and uniformity requirements.

**Specifications and Features:**

**Housing:**

Die Cast Hinged and Gasketed Aluminum Front Frame and Housing with 1/2" Coin Plugs. Nickel-Plated Stainless Steel Hardware. Photocell Adaptable.

**Finish:**

Textured Architectural Bronze Powdercoat Finish Over a Chromate Conversion Coating. Custom Colors Available Upon Request.

**Lens:**

Tempered Clear Flat Glass Lens.

**Mounting Options:**

Cast-in Template for Mounting Directly Over a 4" Recessed Outlet Box, or Use 1/2" Surface Conduit.

**EasyLED LED:**

Aluminum Boards

**Wattage:**

Array: 58w, System: 67.1w  
(400w HID Equivalent)

**Driver:**

Electronic Driver, 120-277V, 50/60Hz or 347/480V, 50/60Hz;  
Dimmable Driver

**Listing & Ratings:**

CSA: Listed for Wet Locations.  
Operating Temperatures: -40°C to +40°C  
IP55

See Page 2 for Projected Lumen Maintenance Table.

5-Year Warranty.

**Order Information Example:**

WH25QF1X58U4KCZSP

WH25Q	F	1X58		4K	C		
Model	Optics	Wattage	Driver	CCT	Lens	Color	Options
WH25Q= EasyLED Hooded Semi-Cutoff Large Deep Wall Pack	F=Type IV	1X58=58w	U=120-277V H=347/480V	4K=4000K	C=Clear Flat Glass Lens	Z=Bronze C=Custom (Consult Factory)	SF=Single Fuse DF=Double Fuse SP=Surge Protection PC1=Photocell, 120VAC PC2=Photocell, 240-277VAC

**Project Information:**

Project Name: \_\_\_\_\_ Fixture Type: \_\_\_\_\_  
 Complete Catalog #: \_\_\_\_\_ Date: \_\_\_\_\_  
 Comments: \_\_\_\_\_

**Certification & Listings:**



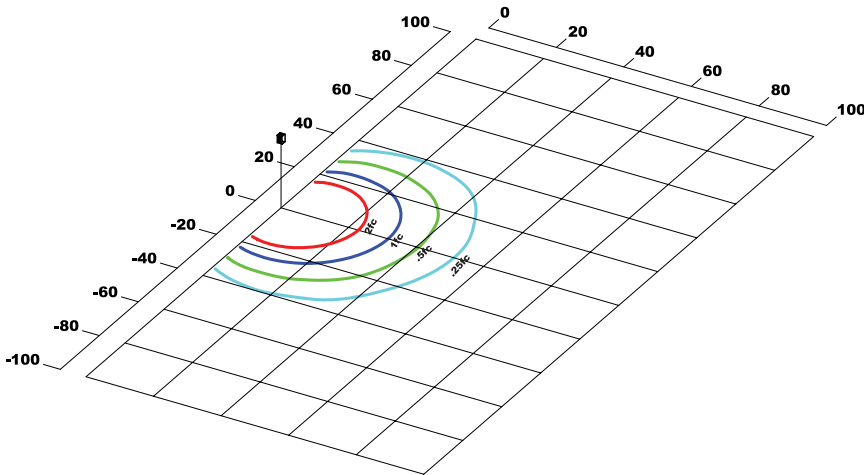


**Accessories & Replacement Parts:**

**Replacement Parts**  
(Order separately, Field installed)

PC1	120VAC, Photocell
PC2	240-277VAC, Photocell

**Photometric Data**



**WH25QF1X58U4KC**  
 Type IV  
 Grid in MH  
 MH=20 Feet

**Photometric Performance**

LED Board Watts	Drive Current (mA)	Input Watts	Optics	4000 CCT 80 CRI				
				Lumens	LPW	B	U	G
EasyLED 58w	525	67	Type IV	7,034	105	2	3	3

**Projected Lumen Maintenance**

Data shown for 4000 CCT			Compare to MH				
TM-21-11	Input Watts	Initial	25,000 Hrs	50,000 Hrs	100,000 Hrs	Calculated L70@ 25°C	
<b>L70 Lumen Maintenance @ 25°C / 77°F</b>	67	1.00	0.96	0.93	0.85	201,000	
TM-21-11	Input Watts	Initial	25,000 Hrs	50,000 Hrs	100,000 Hrs	Calculated L70@ 50°C	
<b>L70 Lumen Maintenance @ 50°C / 122°F</b>	67	1.00	0.93	0.86	0.73	110,000	
TM-21-11	Input Watts	Initial	25,000 Hrs	50,000 Hrs	100,000 Hrs	Calculated L80@ 40°C	
<b>L80 Lumen Maintenance @ 40°C / 104°F</b>	67	1.00	0.94	0.88	0.77	86,000	

**NOTES:**

1. Projected per IESNA TM-21-11. Data references the extrapolated performance projections for the 525mA base model in a 25°C ambient, based on 10,000 hours of LED testing per IESNA LM-80-08.
2. Compare to MH box indicates suggested Light Loss Factor (LLF) to be used when comparing to Metal Halide (MH) systems.