

Wall Pack Series

Small Wall Pack Glass Lens



WP12

Housing:

Die Cast Aluminum Housing with Hinged Front Frame, 1/2" Coin Plugs with O-rings for Conduit & Photocell, Textured Architectural Bronze Powdercoat Finish Over a Chromate Conversion Coating

Reflector:

Aluminum Reflector

Lens:

Molded Prismatic Borosilicate Glass Lens with Gasket

Socket:

HID: Porcelain 4KV Pulse Rated Medium Base Socket with Nickel Plated Screw Shell

Mounting:

Optional Cast Aluminum Mounting Plate Mounts Directly Over a 4" Recessed Outlet Box or Use 1/2" Surface Conduit.

Wattage:

High Pressure Sodium: 35 to 150w
Metal Halide: 50 to 100w

Listing & Ratings:

CSA: Listed for Wet Locations

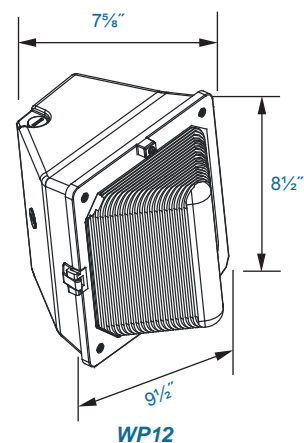
Add: PC1 120V Photocell (Field Installed)
PC2 240-277V Photocell (Field Installed)

Other Wattages & Custom Colors Available Upon Request.

KELSEY-KANE LIGHTING MFG. CO.
Voice & Text: 954-772-3187
E-Mail: info@kelsey-kane.com
Website: www.kelsey-kane.com

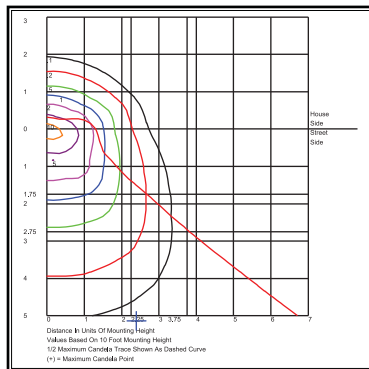
Kit(s)	Description			
Catalog #	Description			
WP12	Small Wall Pack with Glass Lens, HID Kit			
Complete Units (Lamp Included)				
Catalog #	Wattage	Voltage	Lamp	Ballast
WP12H35R120L	35	120	HPS	R-NPF
WP12H50R120L	50	120	HPS	R-NPF
WP12H70R120L	70	120	HPS	R-NPF
WP12H100R120L	100	120	HPS	R-NPF
WP12H150R120L	150	120	HPS	R-NPF
WP12H50DL	50	120/277	HPS	HX-HPF
WP12H70QL	70	Quad	HPS	HX-HPF
WP12H100QL	100	Quad	HPS	HX-HPF
WP12M50DL	50	120/277	MH	HX-HPF
WP12M70QL	70	Quad	MH	HX-HPF
WP12M100QL	100	Quad	MH	HX-HPF

DIMENSIONS



WP12

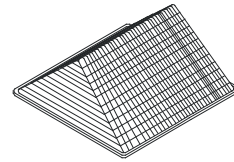
Catalog #	Description
WP12GL	Molded Prismatic Borosilicate Glass Lens
WP12FCA	Full Cutoff, Stamped Aluminum, Textured Bronze Finish
WP12GSA	Glare Shield, Stamped Aluminum, Textured Bronze Finish
WP12WG	Wire Guard, Stainless Steel Construction
WPMP	Die Cast Wall Mount Plate with Locknut, O-ring & Weatherproof Gasket



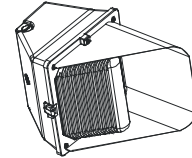
WP12M100

Wall Pack Series

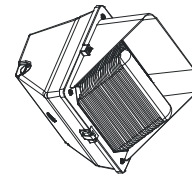
**Small Wall Pack
Glass Lens**



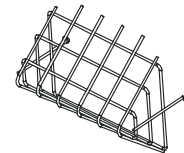
WP12GL



**WP12FCA
(Shown Mounted)**



**WP12GSA
(Shown Mounted)**



WP12WG



WPMP

KELSEY-KANE LIGHTING MFG. CO.
 Voice & Text: 954-772-3187
 E-Mail: info@kelsey-kane.com
 Website: www.kelsey-kane.com