



KELSEY-KANE LIGHTING MANUFACTURING COMPANY

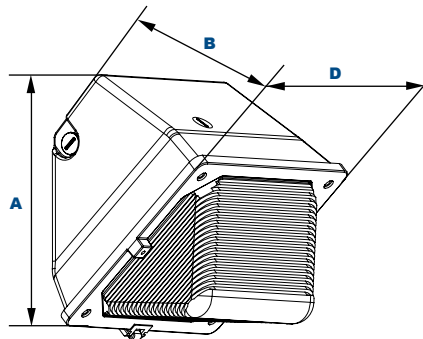
"Serving Lighting Professionals Since 1978"

EasyLED Technology

WP12Q EasyLED Small Wall Pack

L70
25°C

182,000 Hours



Dimensions

Width (D)	8¾" (222mm)
Length (B)	8¾" (222mm)
Height (A)	9¼" (235mm)

Order Information Example:

WP12QF1X23U5KZSP

WP12Q	F	1X23				
Model	Optics	Wattage	Driver	CCT	Color	Options
WP12Q=EasyLED Small Wall Pack	F=Type IV	1X23=23w	U=120-277V H=347/480V	3K=3000K 4K=4000K 5K=5000K	Z=Bronze C=Custom (Consult Factory)	SF=Single Fuse DF=Double Fuse SP=Surge Protection PC1=Photocell, 120VAC PC2=Photocell, 250-305VAC

Project Information:

Project Name: _____ Fixture Type: _____

Complete Catalog #: _____ Date: _____

Comments: _____

WP12Q general purpose wall pack luminaire provides optically controlled wide spread light distribution designed to replace HID lighting systems up to 100w MH or HPS. Typical wall mounted lighting applications include retail centers, industrial parks, schools and universities, public transit and airports, office buildings and medical facilities. Mounting heights of 8 to 15 feet can be used based on light level and uniformity requirements.

Specifications and Features:

Housing:

Die Cast Gasketed Aluminum Front Frame and Housing with ½" Coin Plugs, Nickel-Plated Stainless Steel Hardware.

Listing & Ratings:

CSA: Listed for Wet Locations, ANSI/UL 1598, 8750
IP55 Sealed LED Compartment.

Finish:

Textured Architectural Bronze Powdercoat Finish Over a Chromate Conversion Coating. Custom Colors Available Upon Request.

Lens:

Prismatic Borosilicate Glass Lens.

Mounting Options:

Mount Directly Over a 4" Recessed Outlet Box, or Use ½" Surface Conduit or Optional Wall Mount Plate.

EasyLED LED:

Aluminum Boards

Wattage:

Array: 22.7w, System: 27.6w
(100w HID Equivalent)

Driver:

Electronic Driver, 120-277V, 50/60Hz or 347/480V, 50/60Hz; Dimmable Driver

Warranty:

5-Year Warranty for -40°C to +40°C Environment.

LM-79 Report Available on Select Models.

See Page 2 for Projected Lumen Maintenance Table.

Certification & Listings:



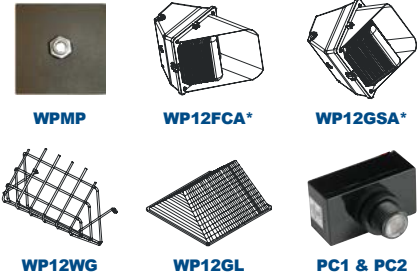
DesignLights Consortium™
Qualified Luminaires:
WP12QF1X23U5K*



Specifications subject to change without notice. Rev. 100217



Accessories & Replacement Parts:



Mounting Accessories (Order separately, Field installed)

WPMP Die Cast Wall Mount Plate with Locknut, O-ring & Weatherproof Gasket.

Accessories (Order separately, Field installed)

WP12FCA Full Cutoff, Stamped Aluminum, Bronze Powdercoat Finish, Includes Hardware.

WP12GSA Glare Shield, Stamped Aluminum, Bronze Powdercoat Finish, Includes Hardware.

WP12WG Wire Guard, Stainless Steel Construction, Includes Hardware.

Replacement Parts (Order separately, Field installed)

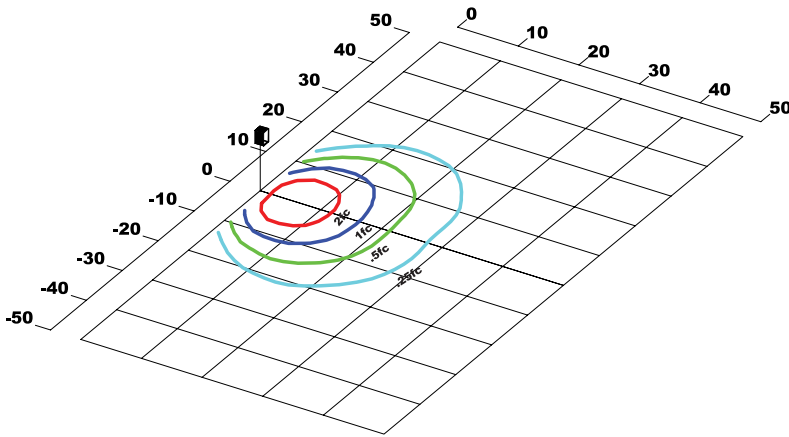
WP12GL Molded Prismatic Borosilicate Glass Lens.

PC1 120VAC Photocell

PC2 250-305VAC Photocell

*Shown Mounted

Photometric Data



WP12QF1X23U5KZSP
Type IV

Grid in MH
MH=10 Feet

Photometric Performance

LED Board Watts	Drive Current (mA)	Input Watts	Optics	5000 CCT 80 CRI					4000 CCT 80 CRI					3000 CCT 80 CRI				
				Lumens	LPW	B	U	G	Lumens	LPW	B	U	G	Lumens	LPW	B	U	G
EasyLED 23w	700	28	Type IV	2,979	106	1	3	3	2,860	102	1	3	3	2,636	94	1	3	3

Projected Lumen Maintenance

Data shown for 5000 CCT			Compare to MH				
TM-21-11	Input Watts	Initial	25,000 Hrs	50,000 Hrs	100,000 Hrs	Calculated L70@ 25°C	
L70 Lumen Maintenance @ 25°C / 77°F	28	1.00	0.96	0.92	0.84	182,000	
TM-21-11	Input Watts	Initial	25,000 Hrs	50,000 Hrs	100,000 Hrs	Calculated L70@ 50°C	
L70 Lumen Maintenance @ 50°C / 122°F	28	1.00	0.93	0.86	0.71	104,000	
TM-21-11	Input Watts	Initial	25,000 Hrs	50,000 Hrs	100,000 Hrs	Calculated L80@ 40°C	
L80 Lumen Maintenance @ 40°C / 104°F	28	1.00	0.94	0.88	0.75	80,000	

NOTES:

1. Projected per IESNA TM-21-11. Data references the extrapolated performance projections for the 700mA base model in a 25°C ambient, based on 10,000 hours of LED testing per IESNA LM-80-08.
2. Compare to MH box indicates suggested Light Loss Factor (LLF) to be used when comparing to Metal Halide (MH) systems.