

Wall Pack Series

Mini Wall Pack Glass Lens



WP13

Housing:

Die Cast Aluminum Housing, Textured Bronze Finish Over a Chromate Conversion Coating with Conduit Access on Bottom & Back, Photocell Adaptable

Reflector:

Aluminum Reflector

Lens:

Molded Prismatic Borosilicate Glass Lens

Socket:

HID: Porcelain 4KV Pulse Rated Medium Base Socket with Nickel Plated Screw Shell
PL: Plug-In Type, GX24Q-4

Mounting:

Optional Cast Aluminum Mounting Plate Mounts Directly Over a 4" Recessed Outlet Box, or Use 1/2" Surface Conduit.

Wattage:

High Pressure Sodium: 35 to 150w
Metal Halide: 50 to 100w
Compact Fluorescent: 1 x 26 to 42w, 2 x 26 to 42w

Listing & Ratings:

CSA: Listed for Wet Locations

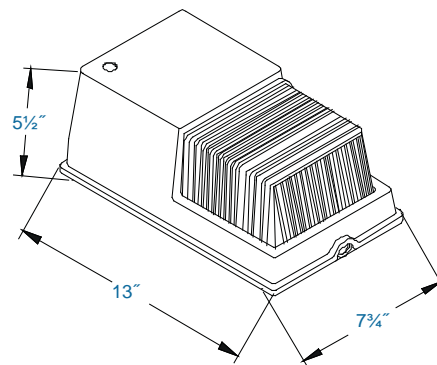
Add: PC1 120V Photocell (Field Installed)
PC2 240-277V Photocell (Field Installed)

Other Wattages & Custom Colors Available Upon Request.

KELSEY-KANE LIGHTING MFG. CO.
Voice & Text: 954-772-3187
E-Mail: info@kelsey-kane.com
Website: www.kelsey-kane.com

Kit(s)				
Catalog #	Description			
WP13	Mini Wall Pack with Glass Lens, HID Kit			
WP13F1	Mini Wall Pack with Glass Lens, Single PL Kit			
WP13F2	Mini Wall Pack with Glass Lens, Twin Fluorescent Kit			
Complete Units (Lamp Included)				
Catalog #	Wattage	Voltage	Lamp	Ballast
WP13H35R120L	35	120	HPS	R-NPF
WP13H50R120L	50	120	HPS	R-NPF
WP13H70R120L	70	120	HPS	R-NPF
WP13H100R120L	100	120	HPS	R-NPF
WP13H150R120L	150	120	HPS	R-NPF
WP13H50DL	50	120/277	HPS	HX-HPF
WP13H70QL	70	Quad	HPS	HX-HPF
WP13H100QL	100	Quad	HPS	HX-HPF
WP13H150QL	150	Quad	HPS	HX-HPF
WP13M50DL	50	120/277	MH	HX-HPF
WP13M70QL	70	Quad	MH	HX-HPF
WP13M100QL	100	Quad	MH	HX-HPF
WP13F26EL	1 x 26	120-277	PL	Electronic
WP13F32EL	1 x 32	120-277	PL	Electronic
WP13F42EL	1 x 42	120-277	PL	Electronic
WP13F52EL	2 x 26	120-277	PL	Electronic
WP13F64EL	2 x 32	120-277	PL	Electronic
WP13F84EL	2 x 42	120-277	PL	Electronic

DIMENSIONS

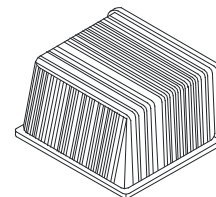


WP13

Catalog #	Description
WP13GL	Molded Prismatic Borosilicate Glass Lens
WP13WG	Wire Guard, Stainless Steel Construction
WPMP	Die Cast Wall Mount Plate with Locknut, O-ring & Weatherproof Gasket

Wall Pack Series

**Mini Wall Pack
Glass Lens**



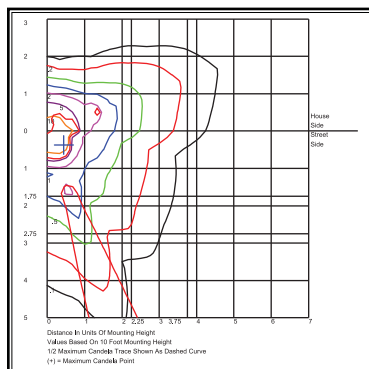
WP13GL



**WP13WG
(Shown Mounted)**



WPMP



WP13M100

KELSEY-KANE LIGHTING MFG. CO.
Voice & Text: 954-772-3187
E-Mail: info@kelsey-kane.com
Website: www.kelsey-kane.com