

Wall Pack Series

Polycarbonate Mini Wall Pack PC Lens



WP14

Housing:

Die Cast Aluminum Back Plate with Cast-in Template for Mounting Over an Electrical Box and Conduit Access on the Bottom. Bronze Polycarbonate Front Housing with Clear Prismatic Lens Area.

Reflector:

Aluminum Reflector

Lens:

Molded Prismatic Polycarbonate Lens & Front Housing.

Socket:

HID: Porcelain 4KV Pulse Rated Medium Base Socket with Nickel Plated Screw Shell
PL:

WP14F26EL:

Plug-In Type, GX23-2

WP14F32EL, WP14F42EL:

Plug-In Type, GX24Q-4

Mounting:

Cast-in Template for Mounting Directly Over a 4" Recessed Outlet Box, or Use 1/2" Surface Conduit.

Wattage:

High Pressure Sodium: 35 to 70w, Reactor
Compact Fluorescent: 1 x 26 to 42w

Listing & Ratings:

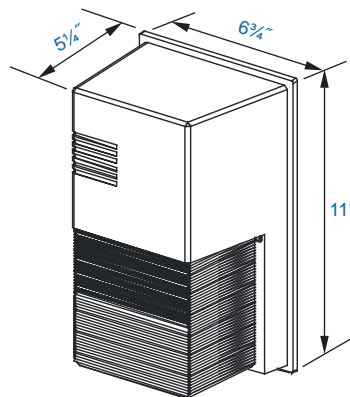
CSA: Listed for Wet Locations

Note:

Electronic Ballasts are Wired to 120V.

KELSEY-KANE LIGHTING MFG. CO.
Voice & Text: 954-772-3187
E-Mail: info@kelsey-kane.com
Website: www.kelsey-kane.com

DIMENSIONS



WP14

Kit(s)	Description			
Catalog #	Description			
WP14	Polycarbonate Mini Wall Pack, HID Kit			
WP14F1	Polycarbonate Mini Wall Pack, Single PL Kit			
Complete Units (Lamp Included)				
Catalog #	Wattage	Voltage	Lamp	Ballast
WP14H35R120L	35	120	HPS	R-NPF
WP14H50R120L	50	120	HPS	R-NPF
WP14H70R120L	70	120	HPS	R-NPF
WP14F26EL	1 x 26	120-277*	PL	Electronic
WP14F32EL	1 x 32	120-277*	PL	Electronic
WP14F42EL	1 x 42	120-277*	PL	Electronic

*Wired to 120V with a 120V Photocell Included