

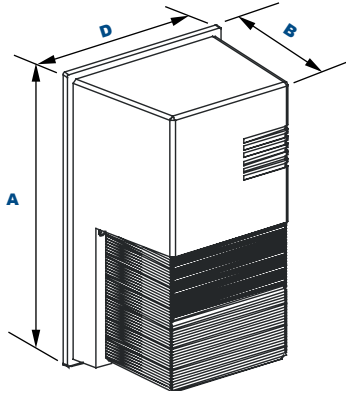


WP14Q

L70
25°C

165,000 Hours

EasyLED Polycarbonate Mini Wall Pack



Dimensions

Width (D)	6¾" (172mm)
Length (B)	18½" (470mm)
Height (A)	18½" (470mm)

WP14Q general purpose wall pack luminaire provides optically controlled wide spread light distribution designed to replace HID lighting systems up to 70w MH or HPS. Typical wall mounted lighting applications include retail centers, industrial parks, schools and universities, public transit and airports, office buildings and medical facilities. Mounting heights of 8 to 15 feet can be used based on light level and uniformity requirements.

Specifications and Features:

Housing:

Die Cast Aluminum Back Plate with Cast-in Template for Mounting Over an Electrical Box and Conduit Access on the Bottom. Aluminum Reflector. 120V Photocell Included. Fixture is for wired 120V Standard.

Finish:

Bronze Polycarbonate Front Housing with Clear Prismatic Lens Area.

Lens:

Molded Prismatic Polycarbonate Lens & Front Housing.

Mounting Options:

Cast-in Template for Mounting Directly Over a 4" Recessed Outlet Box, or Use ½" Surface Conduit.

EasyLED LED:

Aluminum Boards

Wattage:

Array: 12.5w, System: 14.1w
(70w HID Equivalent)

Driver:

Electronic Driver, 120-277V, 50/60Hz; Dimmable Driver

Listing & Ratings:

CSA: Listed for Wet Locations.
Operating Temperatures: -40°C to +40°C
IP54 Sealed LED Compartment.

See Page 2 for Projected Lumen Maintenance Table.

5-Year Warranty.

Order Information Example:

WP14QF1X13U5KZSF

WP14Q	F	1X13	U	5K		
Model	Optics	Wattage	Driver	CCT	Color	Options

WP14Q= EasyLED Polycarbonate Mini Wall Pack

F=Type IV

1X13=13w

U=120-277V

5K=5000K

Z=Bronze
C=Custom
(Consult Factory)

SF=Single Fuse
DF=Double Fuse

Project Information:

Project Name: _____ Fixture Type: _____
 Complete Catalog #: _____ Date: _____
 Comments: _____

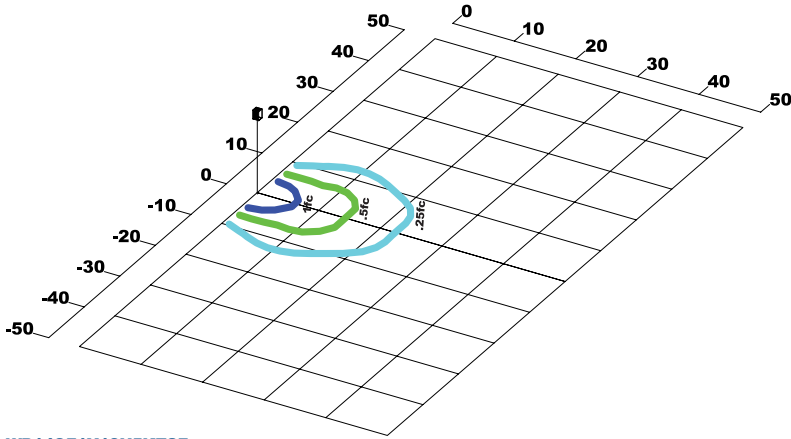
Certification & Listings:



Specifications subject to change without notice. Rev. 051817



Photometric Data



WP14QF1X13U5KZSF
 Type IV

Grid in MH
 MH=10 Feet

Photometric Performance

LED Board Watts	Drive Current (mA)	Input Watts	Optics	5000 CCT 80 CRI				
				Lumens	LPW	B	U	G
EasyLED 13w	116	14	Type IV	1,054	71	0	3	2

Projected Lumen Maintenance

Data shown for 5000 CCT		Compare to MH					
TM-21-11	Input Watts	Initial	25,000 Hrs	50,000 Hrs	100,000 Hrs	Calculated L70@ 25°C	
L70 Lumen Maintenance @ 25°C / 77°F	14	1.00	0.95	0.91	0.82	165,000	
TM-21-11	Input Watts	Initial	25,000 Hrs	50,000 Hrs	100,000 Hrs	Calculated L70@ 50°C	
L70 Lumen Maintenance @ 50°C / 122°F	14	1.00	0.92	0.84	0.69	96,000	
TM-21-11	Input Watts	Initial	25,000 Hrs	50,000 Hrs	100,000 Hrs	Calculated L80@ 40°C	
L80 Lumen Maintenance @ 40°C / 104°F	14	1.00	0.93	0.86	0.73	74,000	

NOTES:

1. Projected per IESNA TM-21-11. Data references the extrapolated performance projections for the 116mA base model in a 25°C ambient, based on 10,000 hours of LED testing per IESNA LM-80-08.
2. Compare to MH box indicates suggested Light Loss Factor (LLF) to be used when comparing to Metal Halide (MH) systems.