

Wall Pack Series

Medium Wall Pack



WP15

Housing:

Die Cast Aluminum Housing & Hinged Front Frame, 1/2" Coin Plugs with O-rings for Conduit & Photocell, Textured Architectural Bronze Powdercoat Finish Over a Chromate Conversion Coating

Reflector:

Aluminum Reflector

Lens:

Molded Prismatic Borosilicate Glass Lens

Socket:

HID: Porcelain 4KV Pulse Rated Medium Base Socket or 5KV Pulse Rated Mogul Base Socket with Nickel Plated Screw Shell

PL: Plug-In Type, GX24Q-4

Mounting:

Cast-in Template for Mounting Directly Over a 4" Recessed Outlet Box, or Use 1/2" Surface Conduit.

Wattage:

High Pressure Sodium: 35 to 150w

Metal Halide: 50 to 100w

Pulse Start: 150w

Compact Fluorescent: 1 x 26 to 42w,

2 x 26 to 42w

Listing & Ratings:

CSA: Listed for Wet Locations

Add: PC1 120V Photocell (Field Installed)

PC2 240-277V Photocell (Field Installed)

Battery Backup Available (Sold Separately)

Other Wattages & Custom Colors Available Upon Request.

KELSEY-KANE LIGHTING MFG. CO.

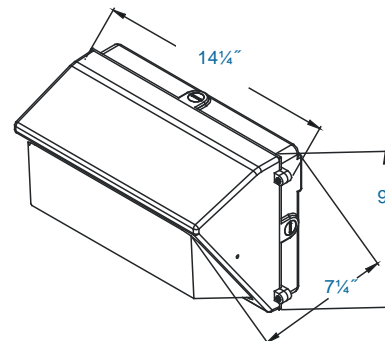
Voice & Text: 954-772-3187

E-Mail: info@kelsey-kane.com

Website: www.kelsey-kane.com

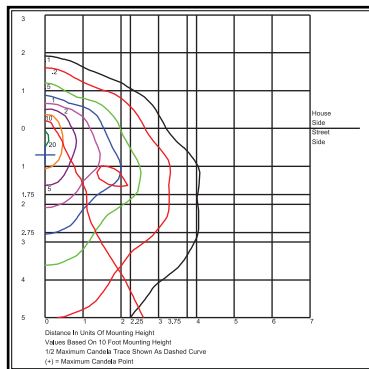
Kit(s)				
Catalog #	Description			
WP15	Medium Wall Pack, HID Kit			
WP15F	Medium Wall Pack, Fluorescent Kit			
Complete Units (Lamp Included)				
Catalog #	Wattage	Voltage	Lamp	Ballast
WP15H35R120L	35	120	HPS	R-NPF
WP15H50R120L	50	120	HPS	R-NPF
WP15H70R120L	70	120	HPS	R-NPF
WP15H100R120L	100	120	HPS	R-NPF
WP15H150R120L	150	120	HPS	R-NPF
WP15H50DL	50	120/277	HPS	HX-HPF
WP15H70QL	70	Quad	HPS	HX-HPF
WP15H100QL	100	Quad	HPS	HX-HPF
WP15H150QL	150	Quad	HPS	HX-HPF
WP15M50DL	50	120/277	MH	HX-HPF
WP15M70QL	70	Quad	MH	HX-HPF
WP15M100QL	100	Quad	MH	HX-HPF
WP15M100QMGL	100	Quad	MH	HX-HPF
WP15P150QL	150	Quad	PS	HX-HPF
WP15P150QMGL	150	Quad	PS	HX-HPF
WP15F26EL	1 x 26	120-277	PL	Electronic
WP15F32EL	1 x 32	120-277	PL	Electronic
WP15F42EL	1 x 42	120-277	PL	Electronic
WP15F52EL	2 x 26	120-277	PL	Electronic
WP15F64EL	2 x 32	120-277	PL	Electronic
WP15F84EL	2 x 42	120-277	PL	Electronic

DIMENSIONS



WP15

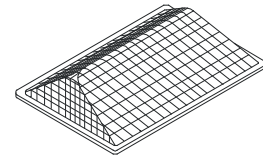
Catalog #	Description
WP15GL	Molded Prismatic Borosilicate Glass Lens with Gasket
WP15FCA	Full Cutoff, Stamped Aluminum, Textured Bronze Finish
WP15SCA	Side Cutoff, Stamped Aluminum, Textured Bronze Finish
WP15LG	Clear Polycarbonate Vandal Resistant Guard
WP15WG	Wire Guard, Stainless Steel Construction
3EB120277	Battery Backup Pack, 120-277V



WP15M175

Wall Pack Series

Medium Wall Pack



WP15GL



**WP15FCA
(Shown Mounted)**



**WP15SCA
(Shown Mounted)**



**WP15LG
(Shown Mounted)**



**WP15WG
(Shown Mounted)**



3EB120277

KELSEY-KANE LIGHTING MFG. CO.
 Voice & Text: 954-772-3187
 E-Mail: info@kelsey-kane.com
 Website: www.kelsey-kane.com