

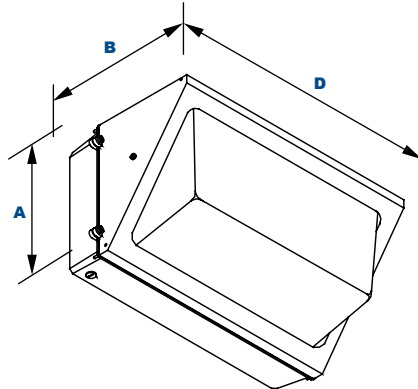


WP15Q

L70
25°C

165,000 Hours

EasyLED Medium Wall Pack



Dimensions

Width (D)	14¼" (362mm)
Length (B)	7¼" (159mm)
Height (A)	9" (225mm)

WP15Q general purpose wall pack luminaire provides optically controlled wide spread light distribution designed to replace HID lighting systems from 70w to 175w MH or HPS. Typical wall mounted lighting applications include retail centers, industrial parks, schools and universities, public transit and airports, office buildings and medical facilities. Mounting heights of 12 to 18 feet can be used based on light level and uniformity requirements.

Specifications and Features:

Housing:

Die Cast Aluminum Housing & Hinged Front Frame, ½" Coin Plugs with O-rings for Conduit & Photocell. Gasketed.

Finish:

Textured Architectural Bronze Powdercoat Finish Over a Chromate Conversion Coating. Custom Colors Available Upon Request.

Lens:

Molded Prismatic Borosilicate Glass Lens

Mounting Options:

Cast-in Template for Mounting Directly Over a 4" Recessed Outlet Box, or Use ½" Surface Conduit.

EasyLED LED:

Aluminum Boards

Wattage:

Array: 41.3w, System: 47w
(250w HID Equivalent)

Driver:

Electronic Driver, 120-277V, 50/60Hz or 347/480V, 50/60Hz; Dimmable Drive

Listing & Ratings:

CSA: Listed for Wet Locations.
Operating Temperatures: -40°C to +40°C
IP65 Sealed LED Compartment.

LM-79 Report Available on Select Models.
See Page 2 for Projected Lumen Maintenance Table.

5-Year Warranty.

Order Information Example:

WP15QF1X41U5KZSP

WP15Q	F	1X41				
Model	Optics	Wattage	Driver	CCT	Color	Options
WP15Q = EasyLED Medium Wall Pack	F =Type IV	1X41 =41w	U =120-277V H =347/480V	4K =4000K 5K =5000K	Z =Bronze C =Custom (Consult Factory)	SF =Single Fuse DF =Double Fuse SP =Surge Protection PC1 =Photocell, 120VAC PC2 =Photocell, 240-277VAC P10 =Pencil Photocell, 120VAC P12 =Pencil Photocell, 277VAC

Project Information:

Project Name: _____ Fixture Type: _____

Complete Catalog #: _____ Date: _____

Comments: _____

Certification & Listings:





Accessories & Replacement Parts:



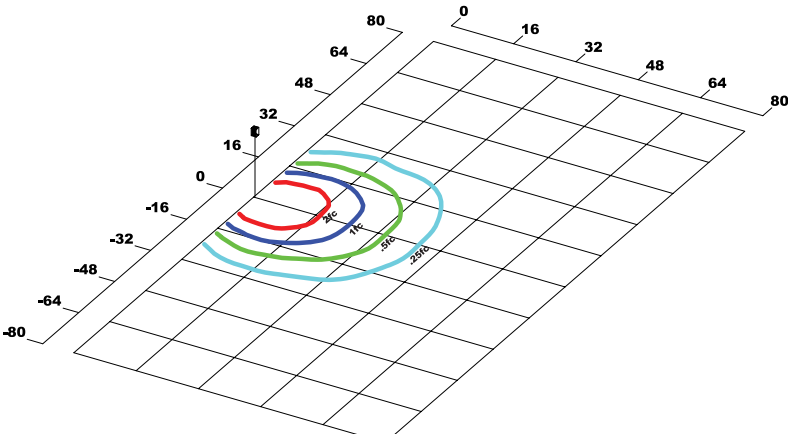
P18110 & P18112 3EBL1202774500

*Shown Mounted

Accessories (Order separately, Field installed)	
WP15FCZ	Full Cutoff, Stamped Steel, Bronze Powdercoat Finish
WP15SCZ	Side Cutoff, Stamped Steel, Bronze Powdercoat Finish
WP15LG	Clear Polycarbonate Vandal Resistant Guard
WP15WG	Wire Guard, Stainless Steel Construction, Includes Hardware.

Replacement Parts (Order separately, Field installed)	
WP15GL	Molded Prismatic Borosilicate Glass Lens with Gasket
PC1	120VAC, PhotoCell
PC2	240-277VAC, PhotoCell
P18110	110-130V 120VAC Pencil PhotoCell
P18112	208-277V 240VAC Pencil PhotoCell
3EBL1202774500	Battery Backup, Provides 90 Minutes of Backup Power.

Photometric Data



WP15QF1X41U5K
Type IV

Grid in MH
MH=16 Feet

Photometric Performance

LED Board Watts	Drive Current (mA)	Input Watts	Optics	5000 CCT 80 CRI				4000 CCT 80 CRI					
				Lumens	LPW	B	U	G	Lumens	LPW	B	U	G
EasyLED 41w	116	47	Type IV	5,503	117	1	4	4	5,283	112	1	4	4

Projected Lumen Maintenance

Data shown for 5000 CCT		Compare to MH					
TM-21-11	Input Watts	Initial	25,000 Hrs	50,000 Hrs	100,000 Hrs	Calculated L70@ 25°C	
L70 Lumen Maintenance @ 25°C / 77°F	47	1.00	0.95	0.91	0.82	165,000	
000		Initial	25,000 Hrs	50,000 Hrs	100,000 Hrs	Calculated L70@ 50°C	
L70 Lumen Maintenance @ 50°C / 122°F	47	1.00	0.92	0.84	0.69	96,000	
TM-21-11		Initial	25,000 Hrs	50,000 Hrs	100,000 Hrs	Calculated L80@ 40°C	
L80 Lumen Maintenance @ 40°C / 104°F	47	1.00	0.93	0.86	0.73	74,000	

NOTES:
 1. Projected per IESNA TM-21-11. Data references the extrapolated performance projections for the 116mA base model in a 25°C ambient, based on 10,000 hours of LED testing per IESNA LM-80-08.
 2. Compare to MH box indicates suggested Light Loss Factor (LLF) to be used when comparing to Metal Halide (MH) systems.