

Induction Light Series

Medium Wall Pack



WP15I

Housing:

Die Cast Aluminum Housing & Hinged Front Frame, 1/2" Coin Plugs with O-rings for Conduit & Photocell, Textured Architectural Bronze Powdercoat Finish Over a Chromate Conversion Coating

Reflector:

Aluminum Reflector

Lens:

Molded Prismatic Borosilicate Glass Lens

Mounting:

Cast-in Template for Mounting Directly Over a 4" Recessed Outlet Box, or Use 1/2" Surface Conduit.

Wattage:

Induction: 40w, 5000K

Listing & Ratings:

CSA: Listed for Wet Locations

Options:

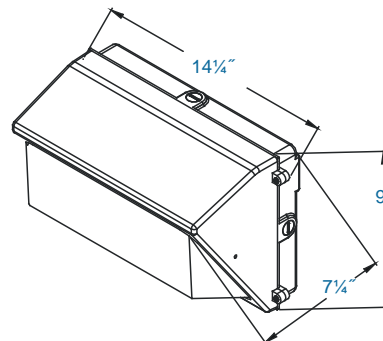
2.5KV Surge Protection

Custom Colors Available Upon Request.

Complete Units (Includes Lamp & Ballast)

Catalog #	Wattage	Voltage	Lamp	Ballast
WP15I40U5K-	40	120-277	Induction	Electronic
- Add SP for Surge Protection				

DIMENSIONS



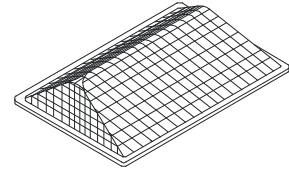
WP15I

KELSEY-KANE LIGHTING MFG. CO.
Voice & Text: 954-772-3187
E-Mail: info@kelsey-kane.com
Website: www.kelsey-kane.com

Induction Light Series

Medium Wall Pack

Catalog #	Description
WP15GL	Molded Prismatic Borosilicate Glass Lens with Gasket
WP15FCA	Full Cutoff, Stamped Aluminum, Textured Bronze Finish
WP15SCA	Side Cutoff, Stamped Aluminum, Textured Bronze Finish
WP15LG	Clear Polycarbonate Vandal Resistant Guard
WP15WG	Wire Guard, Stainless Steel Construction



WP15GL



WP15FCA
(Shown Mounted)



WP15SCA
(Shown Mounted)



WP15LG
(Shown Mounted)



WP15WG
(Shown Mounted)

KELSEY-KANE LIGHTING MFG. CO.
Voice & Text: 954-772-3187
E-Mail: info@kelsey-kane.com
Website: www.kelsey-kane.com