

Induction Light Series

Industrial Mini Open Bulkhead



WP18OI

Housing:

Die Cast Aluminum Housing & Open Front Frame, 1/2" Coin Plugs with O-rings for Conduit & Photocell, Textured Architectural Bronze Powdercoat Finish Over a Chromate Conversion Coating.

Reflector:

Aluminum Reflector

Lens:

Molded Prismatic Borosilicate Glass Lens

Mounting:

Mount Over a 4" Recessed Outlet Box, or Use 1/2" Surface Conduit.

Wattage:

Induction: 40w, 5000K

Listing & Ratings:

CSA: Listed for Wet Locations

Add: PC1 120V Photocell (Field Installed)
PC2 240-277V Photocell (Field Installed)

Options:

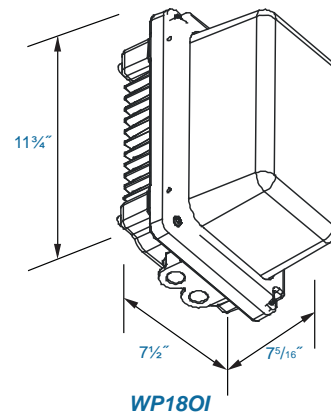
2.5KV Surge Protection

Custom Colors Available Upon Request.

Complete Units (Includes Lamp & Ballast)

Catalog #	Wattage	Voltage	Lamp	Ballast
WP18OI40U5K-	40	120-277	Induction	Electronic
- Add SP for Surge Protection				

DIMENSIONS



KELSEY-KANE LIGHTING MFG. CO.
Voice & Text: 954-772-3187
E-Mail: info@kelsey-kane.com
Website: www.kelsey-kane.com