

Wall Pack Series

Large Shallow Wall Pack



WP20

Housing:

Die Cast Aluminum Housing & Hinged Front Frame, 1/2" Coin Plugs with O-rings for Conduit & Photocell, Textured Architectural Bronze Powdercoat Finish Over a Chromate Conversion Coating

Reflector:

Aluminum Reflector

Lens:

Molded Prismatic Borosilicate Glass Lens

Socket:

Porcelain 5KV Pulse Rated Mogul Base Socket with Nickel Plated Screw Shell

Mounting:

Cast-in Template for Mounting Directly Over a 4" Recessed Outlet Box, or Use 1/2" Surface Conduit.

Wattage:

High Pressure Sodium: 100 to 250w

Metal Halide: 100w

Pulse Start: 150 to 250w

Compact Fluorescent: 1 x 26 to 42w,
2 x 26 to 42w

Listing & Ratings:

CSA: Listed for Wet Locations

Add: PC1 120V Photocell (Field Installed)

PC2 240-277V Photocell (Field Installed)

Battery Backup Available (Sold Separately)

QRS Quartz Restrike Module

Other Wattages & Custom Colors Available
Upon Request.

KELSEY-KANE LIGHTING MFG. CO.

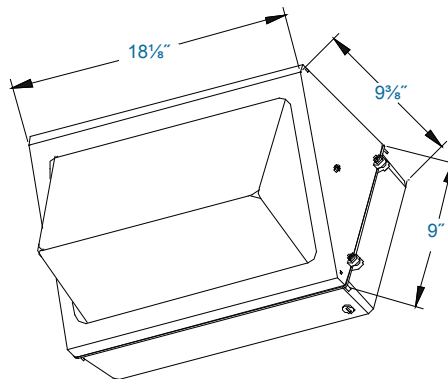
Voice & Text: 954-772-3187

E-Mail: info@kelsey-kane.com

Website: www.kelsey-kane.com

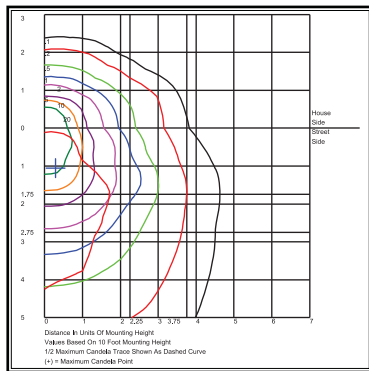
Kit(s)				
Catalog #	Description			
WP20	Large Shallow Wall Pack, HID Kit			
Complete Units (Lamp Included)				
Catalog #	Wattage	Voltage	Lamp	Ballast
WP20H100QMGL	100	Quad	HPS	HX-HPF
WP20H150QMGL	150	Quad	HPS	HX-HPF
WP20H250QL	250	Quad	HPS	CWA
WP20M100QMGL	100	Quad	MH	HX-HPF
WP20P150QMGL	150	Quad	PS	HX-HPF
WP20P250QL [ⓔ]	250	Quad	PS	CWA
WP20F26EL	1 x 26	120-277	PL	Electronic
WP20F32EL	1 x 32	120-277	PL	Electronic
WP20F42EL	1 x 42	120-277	PL	Electronic
WP20F52EL	2 x 26	120-277	PL	Electronic
WP20F64EL	2 x 32	120-277	PL	Electronic
WP20F84EL	2 x 42	120-277	PL	Electronic

DIMENSIONS



WP20

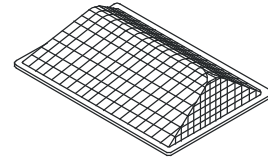
Catalog #	Description
WP25GL	Molded Prismatic Borosilicate Glass Lens with Gasket
WP25FCS	Full Cutoff, Stamped Steel, Textured Bronze Finish
WP25SCS	Side Cutoff, Stamped Steel, Textured Bronze Finish
WP25LG	Clear Polycarbonate Vandal Resistant Guard
WP25WG	Wire Guard, Stainless Steel Construction
3EB120277	Battery Backup Pack, 120-277V



WP20H250

Wall Pack Series

Large Shallow Wall Pack



WP25GL



**WP25FCS
(Shown Mounted)**



**WP25SCS
(Shown Mounted)**



**WP25LG
(Shown Mounted)**



**WP25WG
(Shown Mounted)**



3EB120277

KELSEY-KANE LIGHTING MFG. CO.
 Voice & Test: 954-772-3187
 E-Mail: info@kelsey-kane.com
 Website: www.kelsey-kane.com